

## Grab Bar (Three Post)

# 0366

Also 0367

### Features

- Solid brass construction
- Three-post design
- Complements Hotelier product series

### Codes / Standards Compliance

Meets or exceeds the following at date of manufacture:

- All applicable US Federal and State material regulations
- ADA

### Colors / Finishes

- PC: Polished Chrome
- SN: Satin Nickel
- Other: NA



### Specified Model

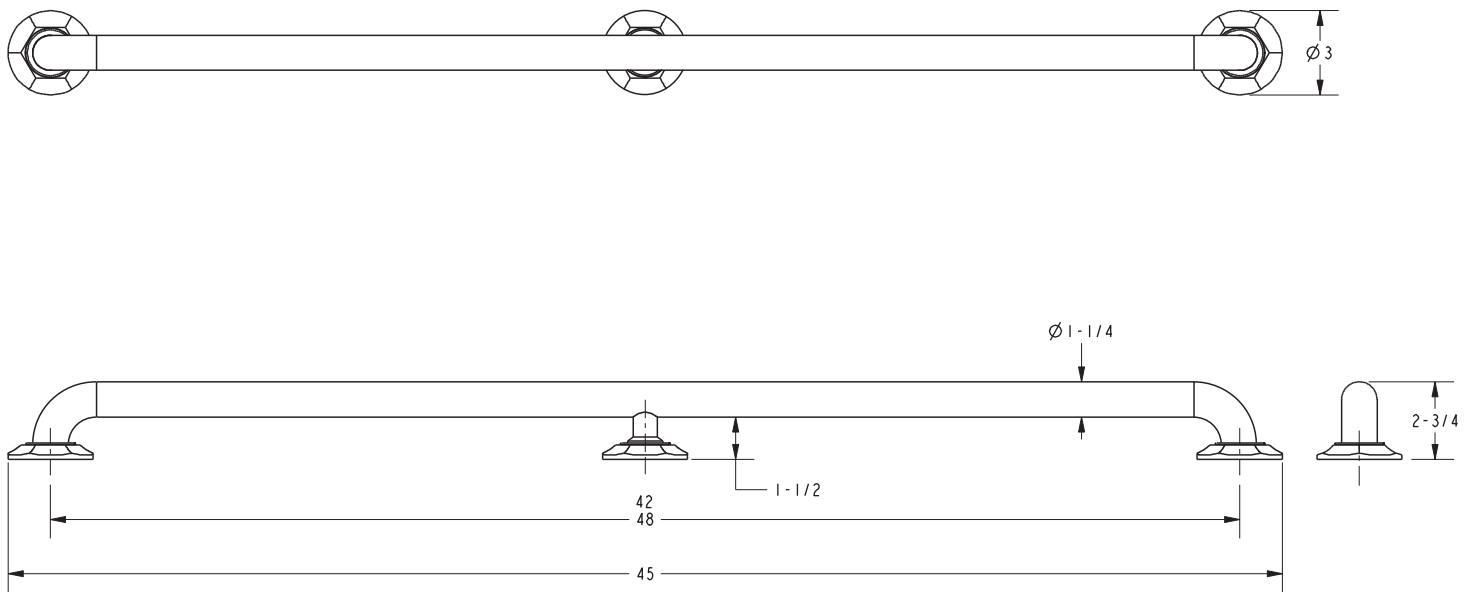
Model	Description	Colors   Finishes	
0366	42" Grab Bar	<input type="checkbox"/> PC	<input type="checkbox"/> SN
0367	48" Grab Bar	<input type="checkbox"/> PC	<input type="checkbox"/> SN

### Product Specification: Add "Length Indicator and Color / Finish" suffix to Model number, below.

The Grab Bar shall be made of solid brass construction. Grab Bar shall complement Ginger Hotelier product series. Grab Bar shall be Ginger Model 036\_\_\_/\_\_\_\_.

# 0366, 0367

**Product Dimensions** (units are in inches)



 MEETS OR EXCEEDS ASTM F446 STANDARDS AND CONFORMS TO ADA GUIDELINES.