

## ADA Classic Collection

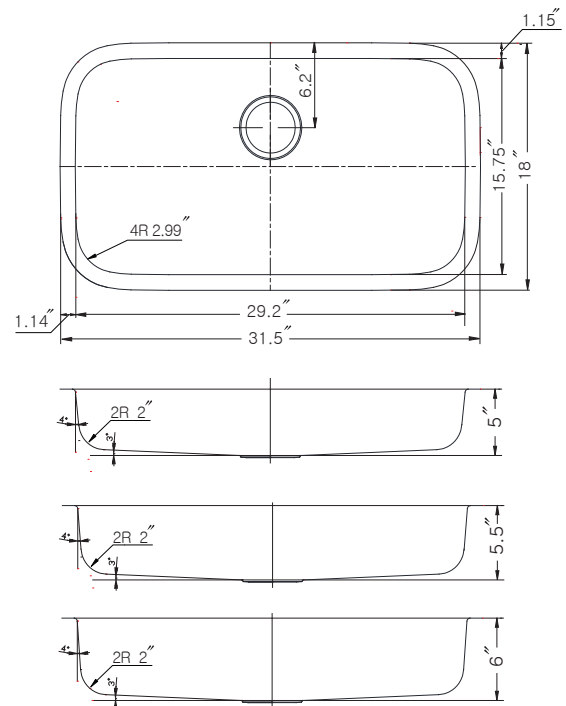
# Undermount Large Single Bowl Model CADA-3218SU



### FEATURES

- Premium grade T-304 stainless steel
- 5", 5.5", 6" depth
- 18 gauge
- StoneShield undercoating over Sound Deadening pad
- Lustrous satin with highlighted rim
- Fits 36" sink base
- 3-1/2" drain opening
- Supplied with cutout template, fasteners and instructions
- Complies with ASME A112.19.3-2008, cUPC®
- Lifetime Limited Warranty

CADA-3218SU



### OPTIONAL ACCESSORIES

Cutting Board : CUT-1417  
Strainer: BAS-2000-SS

OVERALL DIMENSIONS	EACH BOWL	CUTOUT SIZE	PACKAGING*	WEIGHT*
31.5" x 18"	29.2" x 15.75"	See Template	1/16/20 pcs.	17/312/350 lbs.

\*Standard packaging: Single boxed /Pallet of single boxed/Pallet of bulk pack.  
All dimensions are in inches. Specifications subject to change without notice.

Project/Job name \_\_\_\_\_

Architect/Engineer \_\_\_\_\_

Contractor \_\_\_\_\_

Model \_\_\_\_\_ Q'ty \_\_\_\_\_

Notes \_\_\_\_\_

### Installation profile

