

Talis C
HighArc Kitchen Faucet, 2-Spray Pull-Down, 1.75 GPM
 Finishes : **steel optic** Part no. : **04215800**



Description

Features

- consists of: Single lever kitchen mixer, Base plate
- Swivel range 150°
- Full and needle spray
- Locking spray diverter (reverts to default spray mode upon valve closing)
- MagFit magnetic sprayhead docking
- Single-hole installation
- Flow: 1.75 GPM (6.6 L/Min)
- Ceramic cartridge
- 3/8" connections
- Integrated double backflow prevention

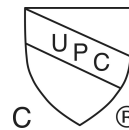
Item details

List Price \$ 724.00

Technology



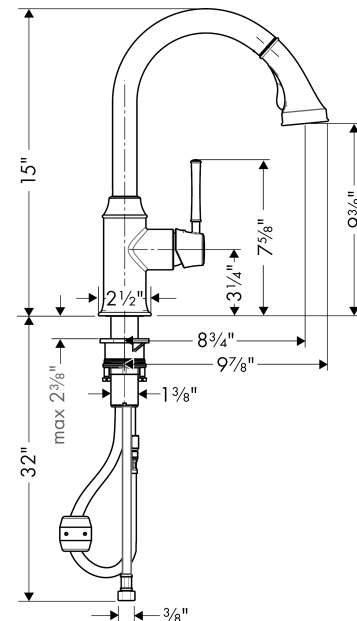
Compliance



Product image



Scale drawing

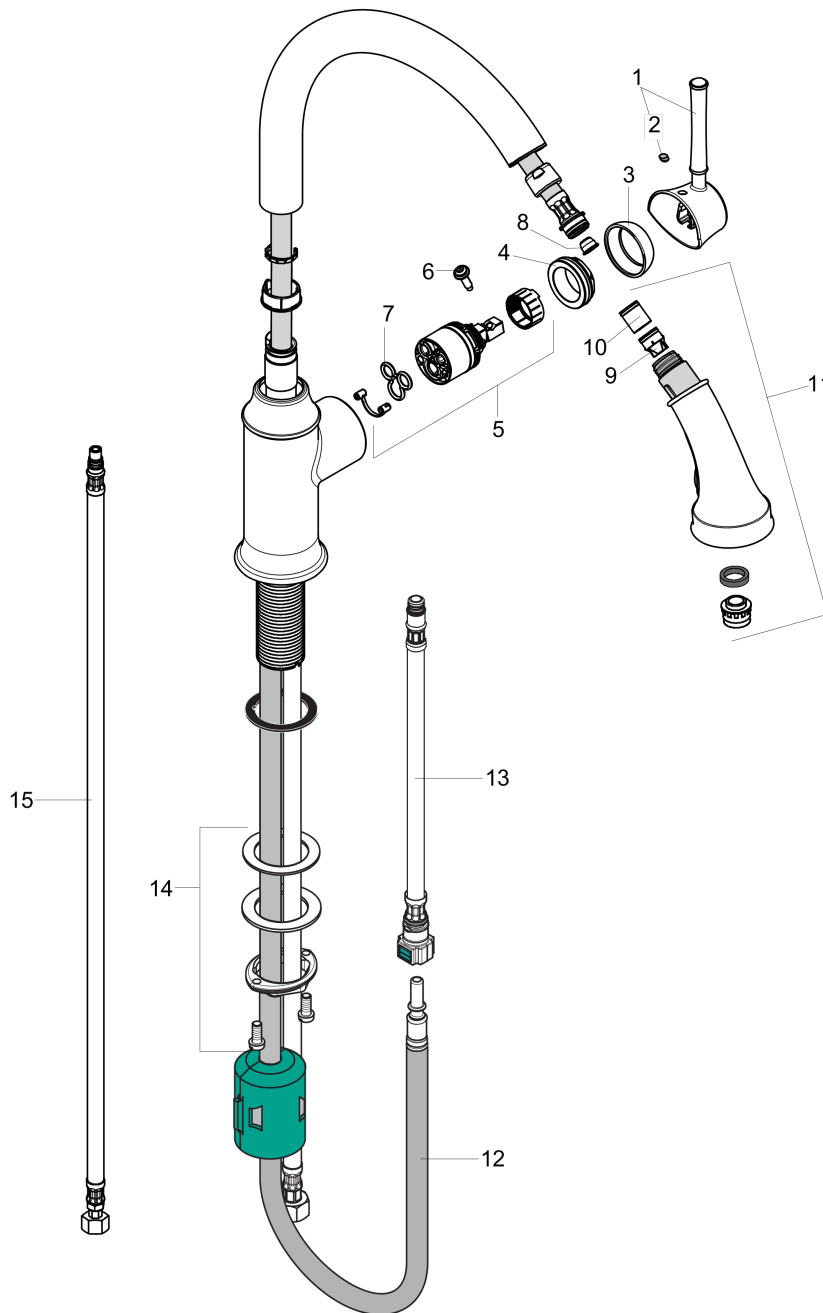


Talis C
HighArc Kitchen Faucet, 2-Spray Pull-Down, 1.75 GPM
 Finishes : **steel optic** Part no. : **04215800**



Exploded drawing

Year of production: >10/18



Talis C
HighArc Kitchen Faucet, 2-Spray Pull-Down, 1.75 GPM
 Finishes : **steel optic** Part no. : **04215800**



Spare parts list

Year of production: >10/18

Pos.	Description	Part no.	Price	PU
1	handle	95900800	-	1
2	screw cover	96338000	-	1
3	flange	95498800	-	1
4	nut	97209000	-	1
5	cartridge, assy	92730000	-	1
6	locking screw for handle	95140000	-	1
7	seal	95008000	-	1
8	filter	97735000	-	1
9	set of non return valves DW 15	97350000	-	1
10	non return valve	93218000	-	1
11	handspray	95899800	-	1
12	hose 1,50 m	88624000	-	1
13	connection hose 600 mm M10x1	95561000	-	1
14	fixing set (Ø 34)	95049000	-	1
15	connection hose 35½" M8x0,75 3/8"	96316001	-	1
a	aerator M24x1 (25 l/min)	13914000	-	1
b	hose 1,50 m	95507000	-	1