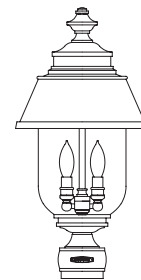
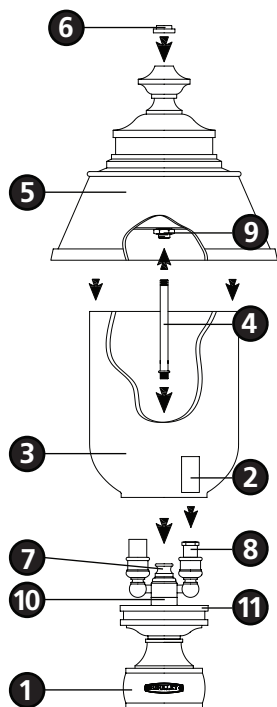


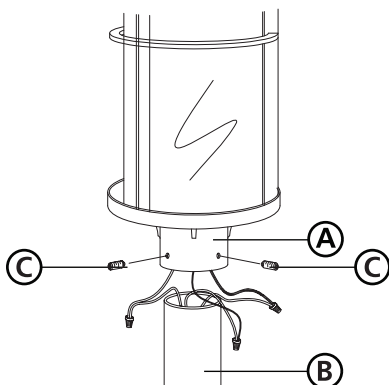
Family: Americana | Item No. 2591 OB



Drawing 1 - Fixture Assembly



Drawing 2 - Fixture Mounting



▼ start here

1

1. Find a clear area in which you can work.
2. Unpack fixture and glass from carton.
3. Carefully review instructions prior to assembly.

***** The construction of this fixture will be accomplished by first assembling main body of the fixture, making all necessary electrical connections, mounting the fixture to pre-installed post, and then installing the glass.**

2

1. Thread center stem (4) into threaded hole (7), located on the top of cluster assembly (10) - see **Drawing 1**
2. Slip candle sleeves (2) over socket (8).

SAFETY WARNING: READ WIRING AND GROUNDING INSTRUCTIONS (I.S. 18) AND ANY ADDITIONAL DIRECTIONS. TURN POWER SUPPLY OFF DURING INSTALLATION. IF NEW WIRING IS REQUIRED, CONSULT A QUALIFIED ELECTRICIAN OR LOCAL AUTHORITIES FOR CODE REQUIREMENTS.

3

Make electrical connections from supply wire to fixture lead wires. Refer to instruction sheet (I.S. 18) and follow all instructions to make all necessary wiring connections. Then refer back to this sheet to continue installation of this fixture.

4

1. After wiring connections are complete, slip post fitter (A) over top of pre-installed post (B) making sure all wire connections are tucked inside the pole - see **Drawing 2**.
2. When fixture is slipped over pole make sure no wires are being pinched between the top edge of the pole and the inside of the post fitter.
3. Thread the 3 set screws (C) into pre-tapped holes in post fitter.
4. Tighten screws to secure fixture to post.

5

1. Prior to installing glass, fixture can now be lamped accordingly.
2. To install glass, slide glass (3) over center stem (4) and cluster assembly (10), making sure lip of glass fits inside of cup (11) - see **Drawing 1**.
3. Slide roof assembly (5) onto fixture by slipping center stem (4) through hole (9) inside the roof.
4. Thread knob (6) onto the end of center stem (4) that is protruding through the top of roof assembly (5). Hand tighten only.

Note: Maximum wattage for 2591 fixture is 40 watts per bulb.

2.7.08