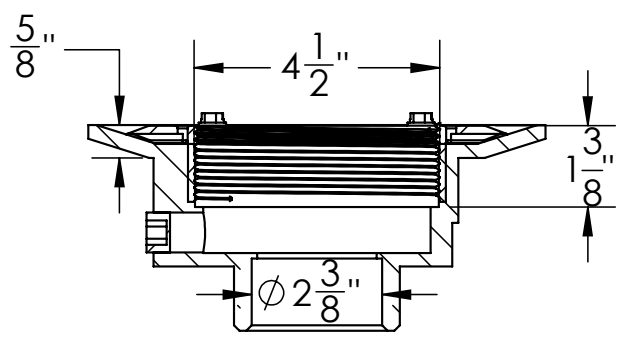
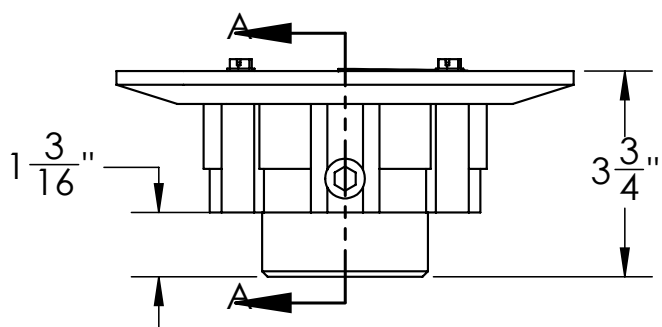
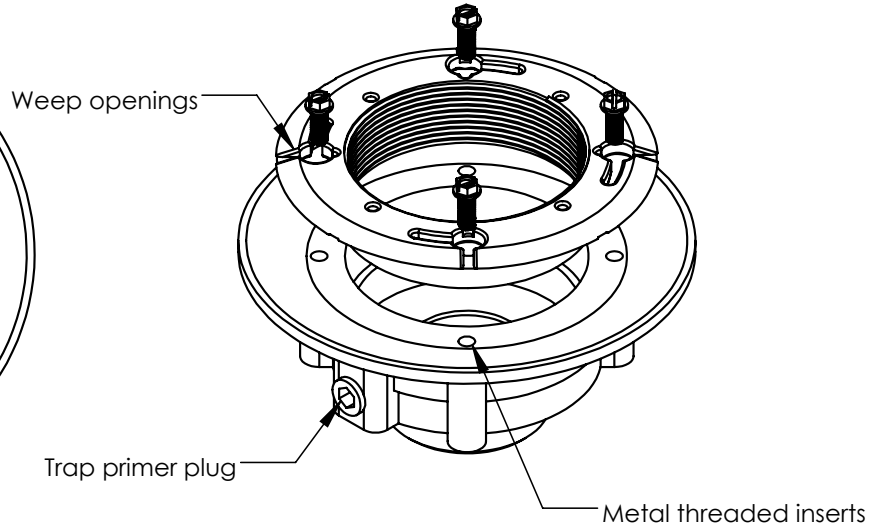
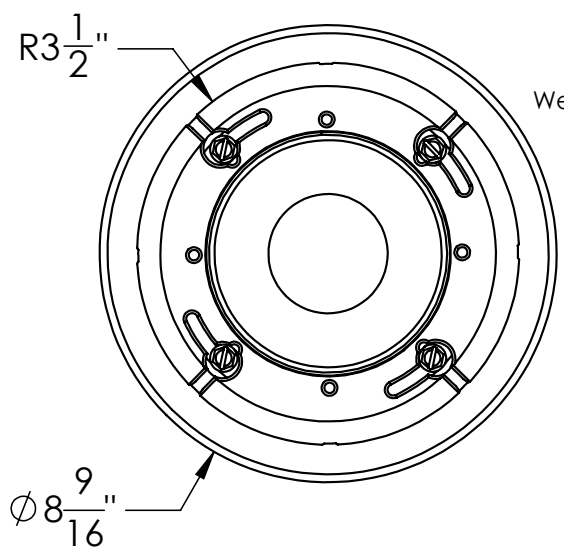


# CDP 42W Specifications



**CDP 42:**

- PVC Clamp Down Drain Body Assembly
- 4" NPS Threaded Throat
- 2" Outlet
- NPT trap primer plug
- Compatible with traditional waterproofing membranes



**Infinity Drain**  
145 Dixon Avenue  
Amityville, NY 11701  
Phone: 516.767.6786  
Fax: 516.740.3066  
www.infinitydrain.com



NOTE: Installer must verify all rough-in dimensions prior to installation and consult local and national codes. Conformity and compliance to local and national codes are the responsibility of the installer.