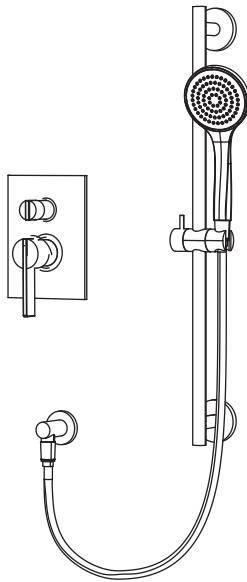


145.3350 | Two Output Shower W/ Rain Head, Hand Held & Slide Bar



COMPONENTS

- HS1002SA - 12" Shower Arm
- HS1002A - 8" Shower Head
- 145.2100T - Shower Trim
- PBV.1005A - Shower Valve
- HS5100 - Hand Held
- 100.5502 - Wall Elbow
- SP.150EM - 1.5m Hose
- 100.601001A - Slide Bar

SHOWER VALVE:

- Pressure balance shower valve
- Valve includes service stops
- Lift bottom handle to control volume
- Turn left for hot, right for cold
- Top handle controls water diversion
- 1/2" NPT

SHOWER HEAD:

- Solid brass construction
- 1.8 GPM flow rate

HAND HELD W/ SLIDE BAR & ELBOW:

- Solid Brass construction
- Hand held flow rate = 1.8 GPM
- 1/2" female NPT elbow connection
- With back flow prevention check valve

STANDARDS:

- ASME A112.18.1 / CSA B125.1

See individual component specification sheets on following pages for further details.



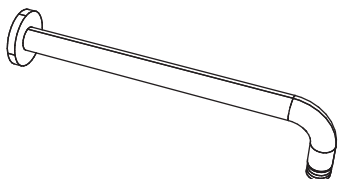
HS1002SA | Round Shower Arm - 300mm - 12"

SPECIFICATIONS:

- Solid Brass Shower Arm
- With Sliding Flange

FAST SHIP FINISHES :

- Chrome - HS1002SACP / Brushed Nickel - HS1002SABN



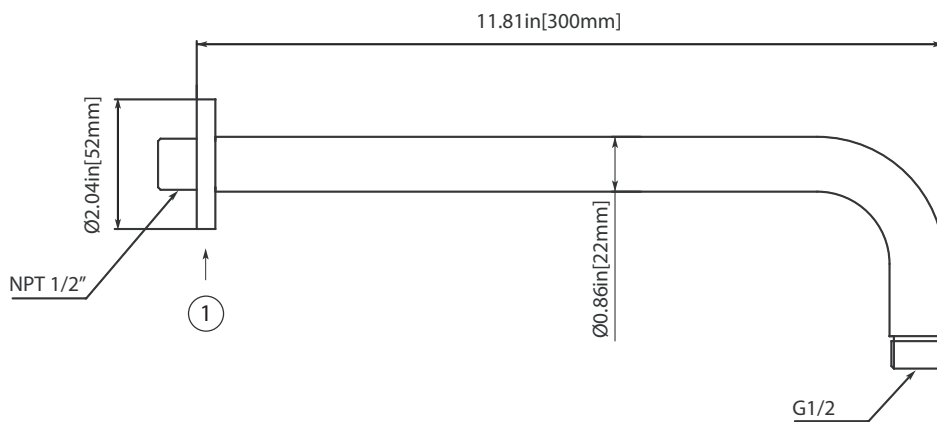
Legislation Compliance



ZeroDrip Technology



Technical Diagram



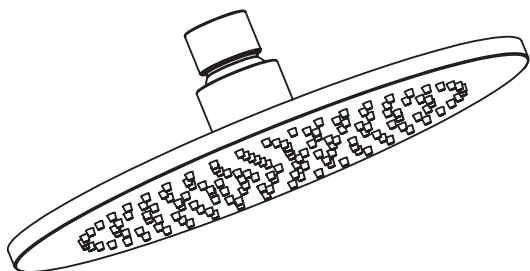
Part Number Guide:

- ① Flange - HS1002SA-1253CP - Chrome
HS1002SA-1253BN - Brushed Nickel

HS1002A | 8" Brass Shower Head

SPECIFICATIONS:

- Solid Brass Shower Head
- Scrub rubber nozzles to easily clean water sediment
- 1.8 GPM Flow Rate



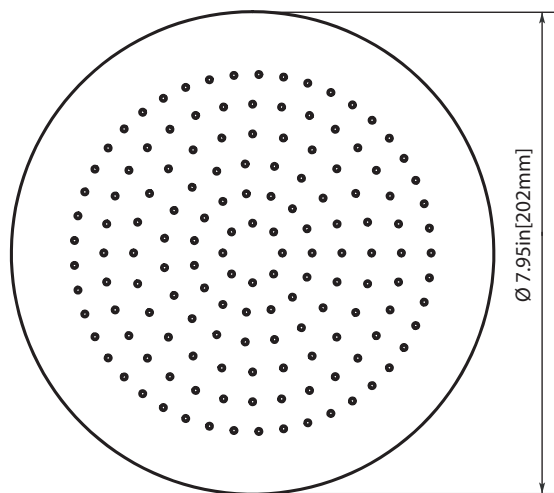
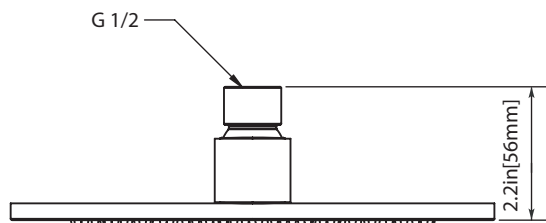
Legislation Compliance



ZeroDrip Technology

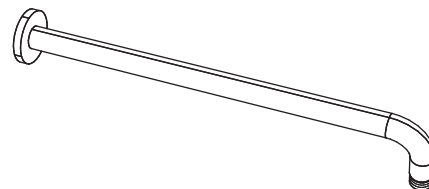


Technical Diagram

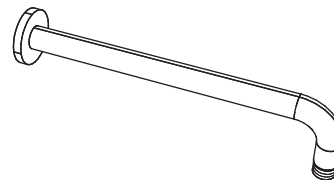


MATCHING SHOWER ARMS:

1) HS1012SA (16" Wall Mount Shower Arm)



2) HS1002SA (12" Wall Mount Shower Arm)

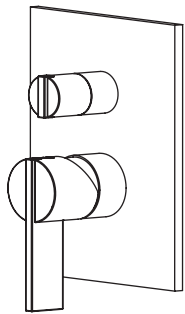


3) 100.12CSA (10" Ceiling Mount Shower Arm)



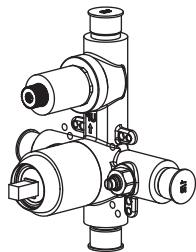


**145.2100 | Tub / Shower Trim Set With Pressure Balance Valve & 2-Way Diverter
with Integrated Volume Control**



Trim
[145.2100T**]

+



Valve
[PBV1005A**]

SPECIFICATIONS:

- Includes Pressure balance valve (PBV1005A**) w/ service stops
- Lift Handle to control volume. Turn left for hot, right for cold.
- Small knob controls 2-way water diversion
- Pressure Balance Valve Flow Rate - 5.5 GPM @ 60 PSI
- Extension Available - PBV.2100E**

FAST SHIP FINISHES:

- Chrome - UF.2100CP / Brushed Nickel - UF.2100BN

** Denotes Finish (CP, BN, etc.)

Legislation Compliance

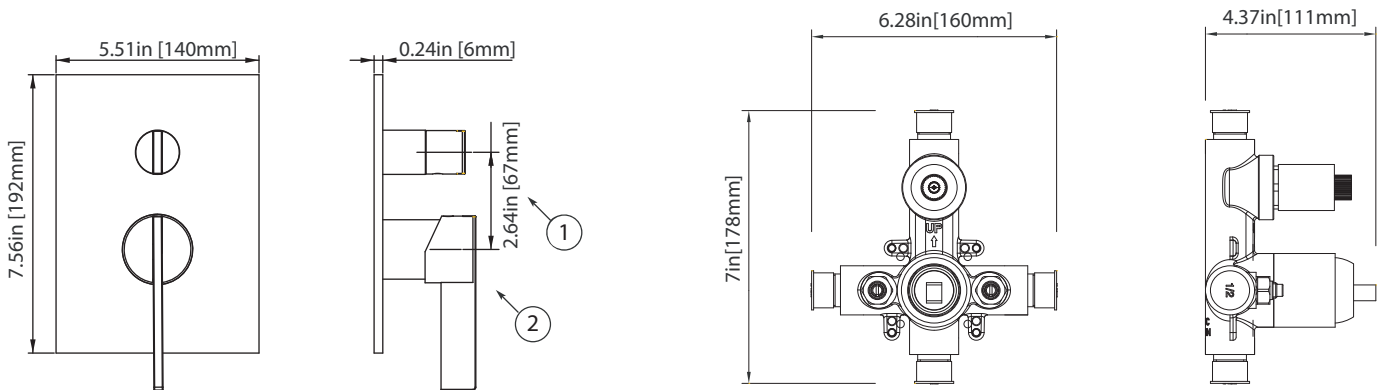


ZeroDrip Technology

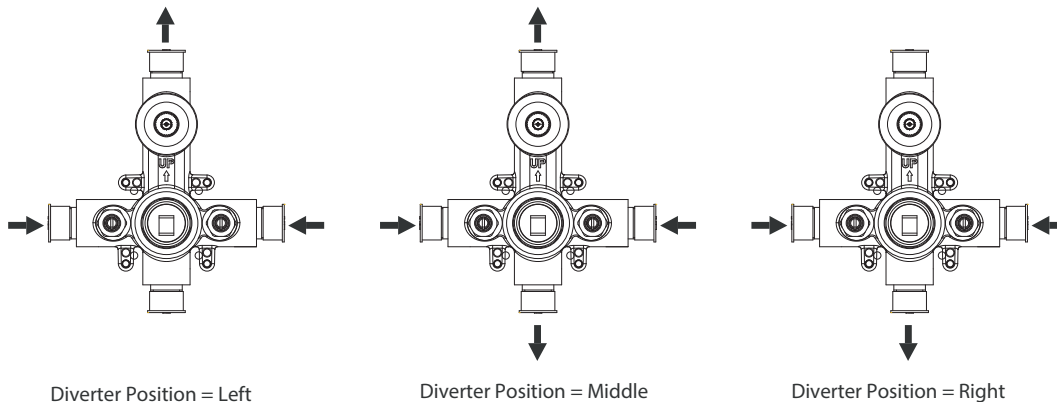


See Spec Sheet For
PBV1005A For Detailed
Information On Valve.

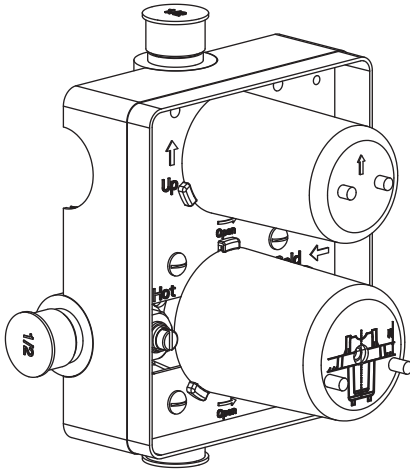
Technical Diagram



Water Diversion Diagram



PBV1005A | Pressure Balance Valve With Integrated 2-Way Diverter



SPECIFICATIONS:

- Lift Handle to control volume. Turn left for hot, right for cold.
- Knob controls 2-way water diversion - shared output.
- Pressure Balance Valve Flow Rate - 5.5 GPM @ 60 PSI

FAST SHIP FINISHES :

- Chrome - PBV1005ACP / Brushed Nickel - PBV1005ABN /

STANDARDS:

- ASME A112.18.1 / CSA B125.1

WARRANTY:

- Limited lifetime warranty to the original consumer purchaser against finish and workmanship

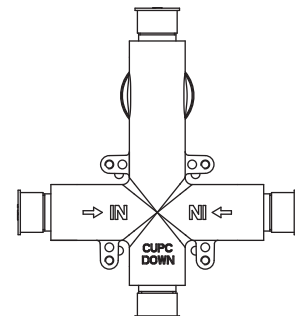
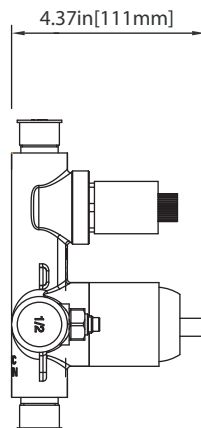
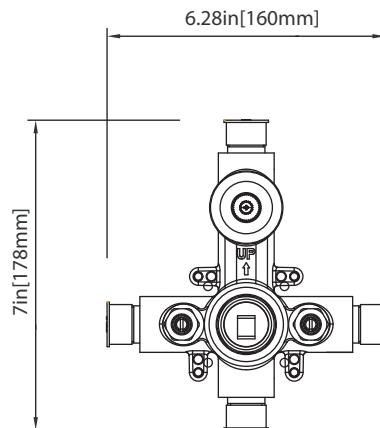
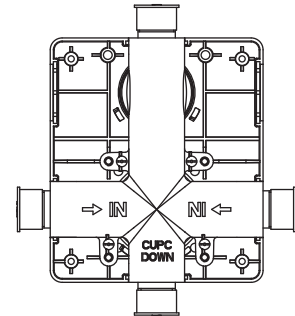
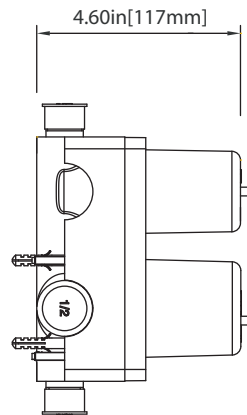
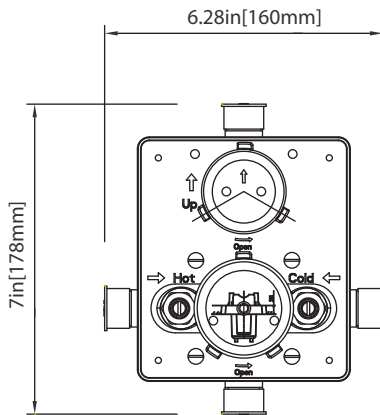
Legislation Compliance



ZeroDrip Technology



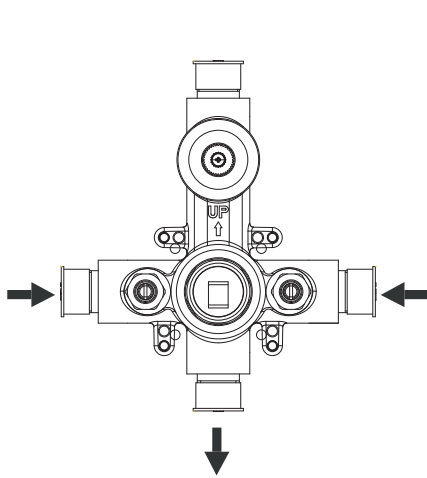
Technical Diagram



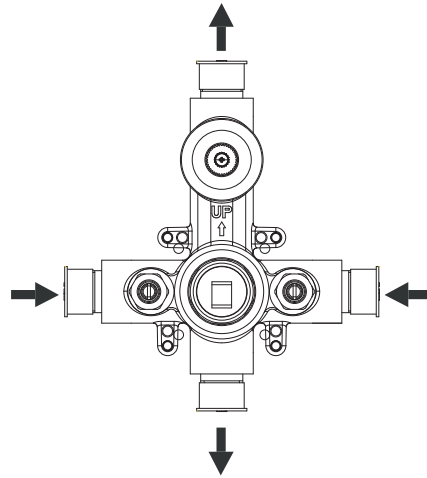
PBV1005A | Pressure Balance Valve With Integrated 2-Way Diverter



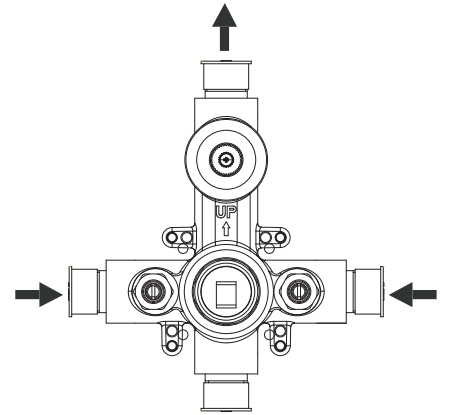
Water Diversion Diagram



Diverter Position = Left



Diverter Position = Middle
Shared Flow is Low Transition Flow

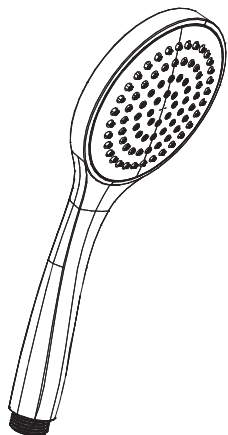


Diverter Position = Right

HS5100 | 100mm Single Function Hand-Shower

SPECIFICATIONS:

- ABS Construction
- Scrub nozzles to easily clean water sediment
- 1.8 GPM Flow Rate
- Includes backflow prevention check valve



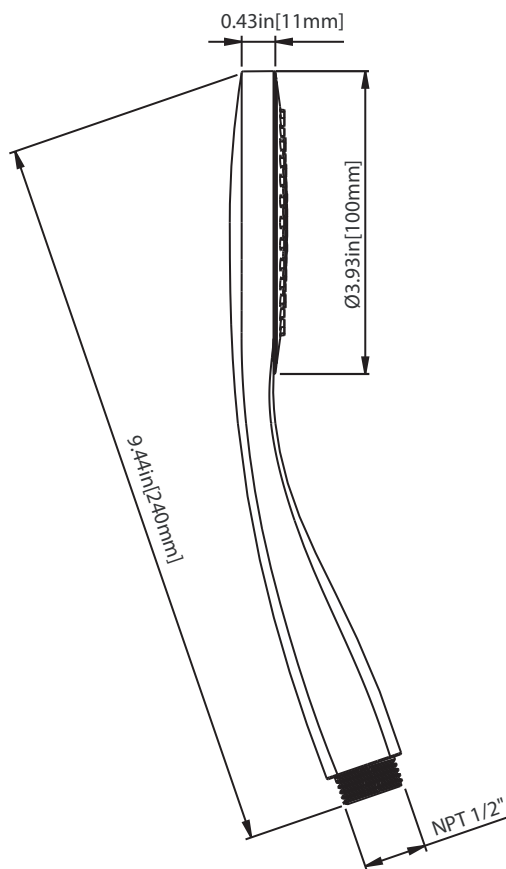
Legislation Compliance



ZeroDrip Technology

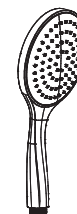


Technical Diagram

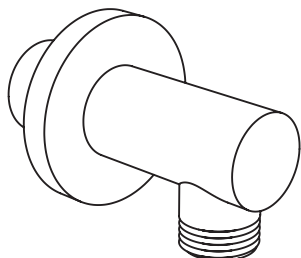


SEE ALSO:

1) HS5130 (130mm)



100.5502 | Wall Elbow



SPECIFICATIONS:

- Solid Brass construction
- 1/2" female connection with adjustment
- Includes check valve with back-flow prevention

FAST SHIP FINISHES :

- Chrome - 100.5505CP / Brushed Nickel - 100.5505BN

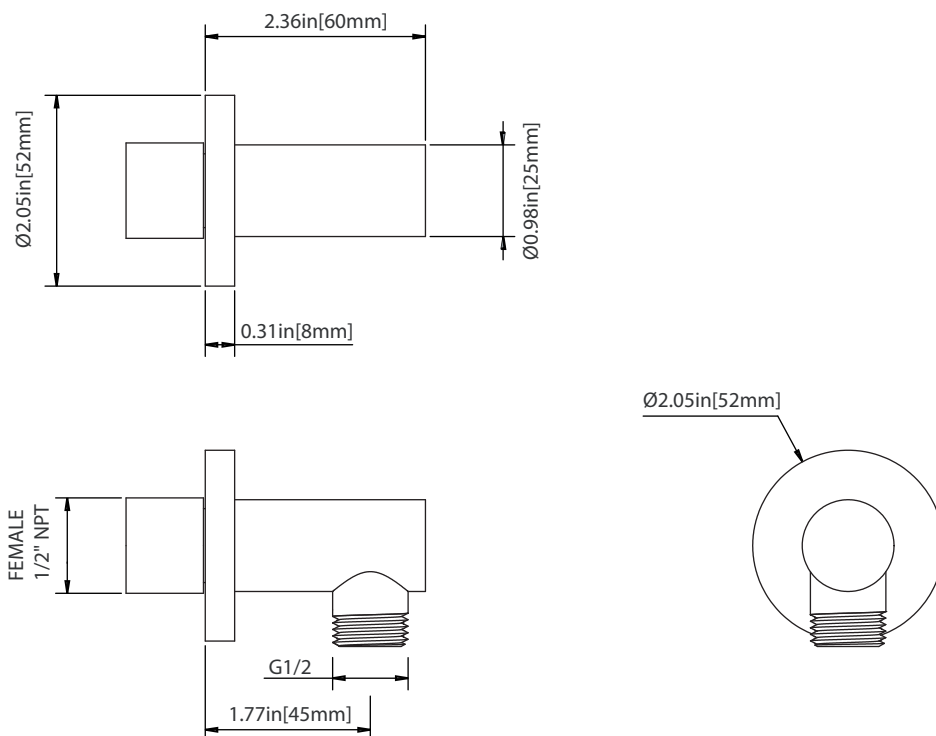
Legislation Compliance



ZeroDrip Technology



Technical Diagram



SP.150EM | Easy Maneuver Hose



SPECIFICATIONS:

- Stainless steel construction
- G-1/2" connection
- 1.5m length

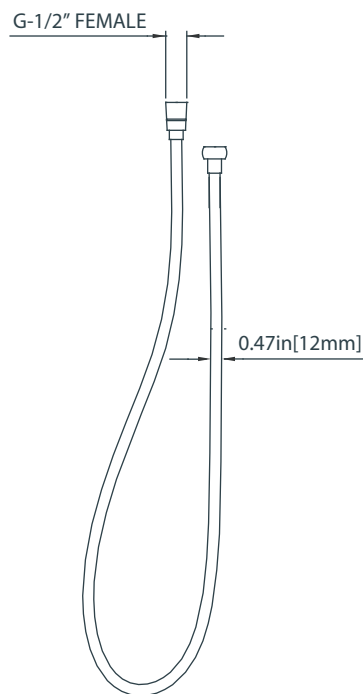
Legislation Compliance



ZeroDrip Technology



Technical Diagram



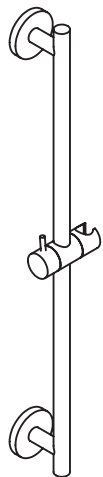
100.601001A | Slide Bar

SPECIFICATIONS:

- Easy front of wall installation

FAST SHIP FINISHES :

- Chrome - 100.601003ACP / Brushed Nickel - 100.601003ABN



Legislation Compliance



ZeroDrip Technology



Technical Diagram

