

36"

Item Number:

- 210-V36-GW
- 210-V36-VBL
- 210-V36-WLT
- 210-V36-WW

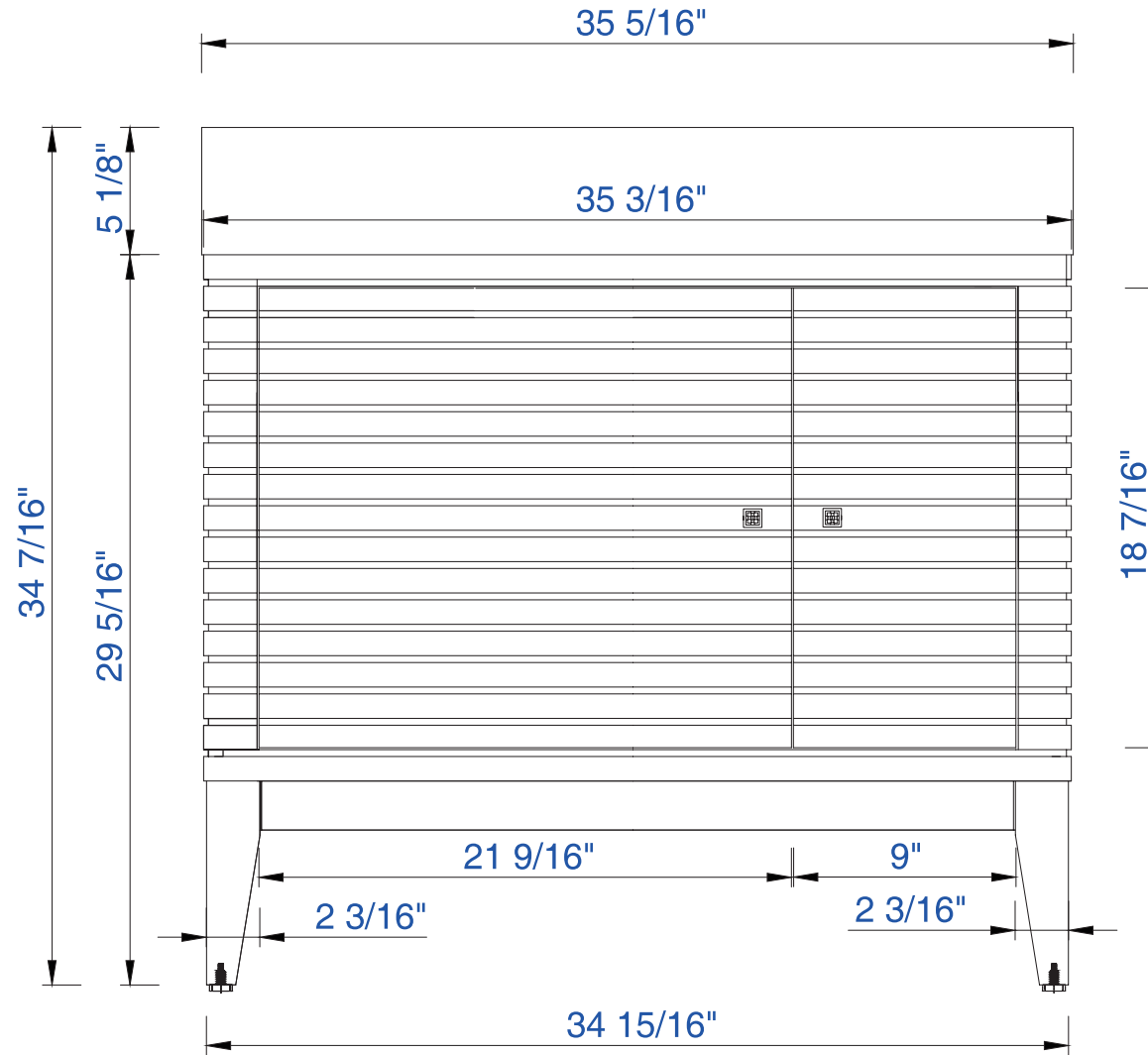
JAMES MARTIN



VANITIES

Linear 36" Cabinet

Diagrams with Dimensions
page 01 of 03



NOTE ONE: Married Countertop is standard for this cabinet
NOTE TWO: This vanity does not have a Backsplash.

36"

Item Number:

- 210-V36-GW
- 210-V36-VBL
- 210-V36-WLT
- 210-V36-WW

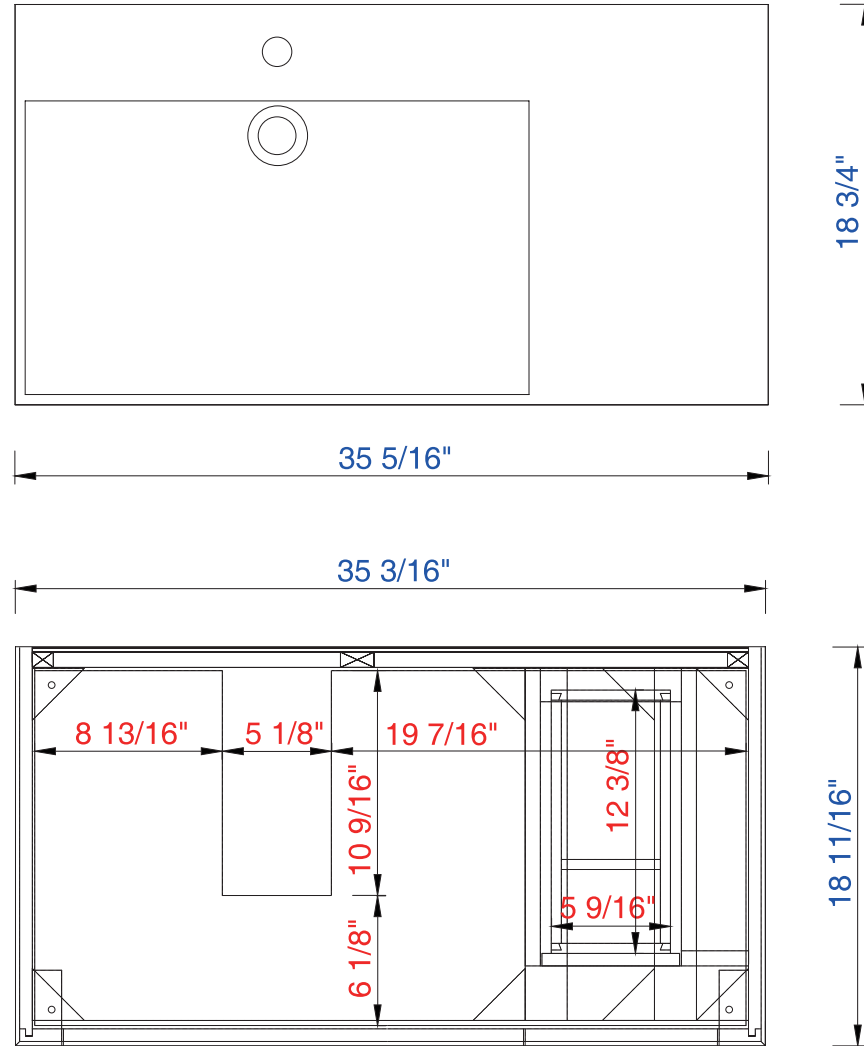
JAMES MARTIN



VANITIES

Linear 36" Cabinet

Diagrams with Dimensions
page 02 of 03



NOTE ONE: Married Countertop is standard for this cabinet

NOTE TWO: Internal Shelves (Shown) are designed to align with sinks in James Martin's Optional Countertops.

36"

Item Number:

- 210-V36-GW
- 210-V36-VBL
- 210-V36-WLT
- 210-V36-WW

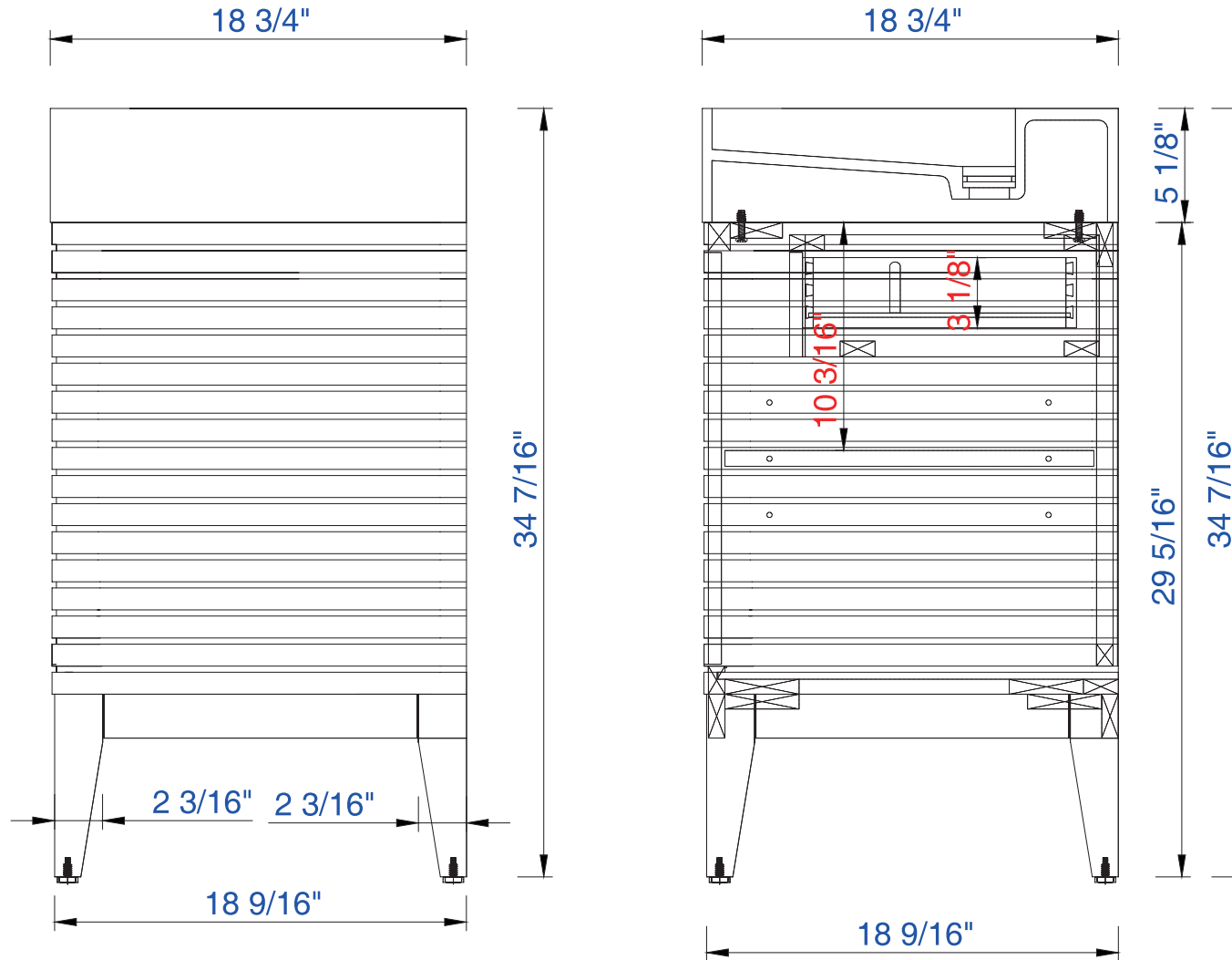
JAMES MARTIN



VANITIES

Linear 36" Cabinet

Diagrams with Dimensions
page 03 of 03



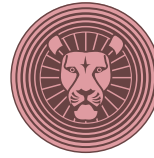
NOTE ONE: Married Countertop is standard for this cabinet
 NOTE TWO: This vanity does not have a Backsplash.

914mm

Item Number:

- 210-V36-GW
- 210-V36-VBL
- 210-V36-WLT
- 210-V36-WW

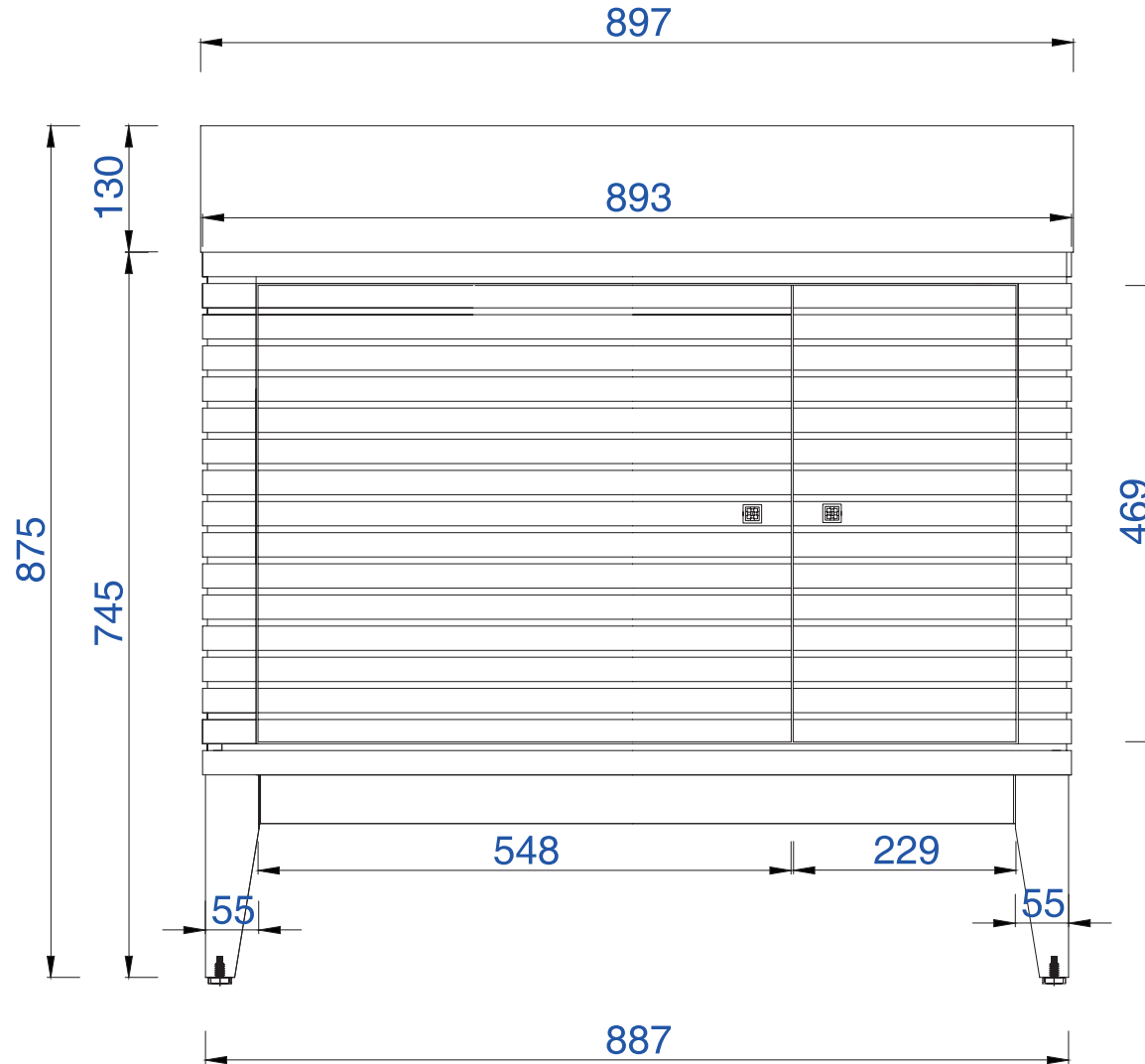
JAMES MARTIN



VANITIES

Linear 914mm Cabinet

Diagrams with Dimensions
page 01 of 03



NOTE ONE: Married Countertop is standard for this cabinet
NOTE TWO: This vanity does not have a Backsplash.

914mm

Item Number:

- 210-V36-GW
- 210-V36-VBL
- 210-V36-WLT
- 210-V36-WW

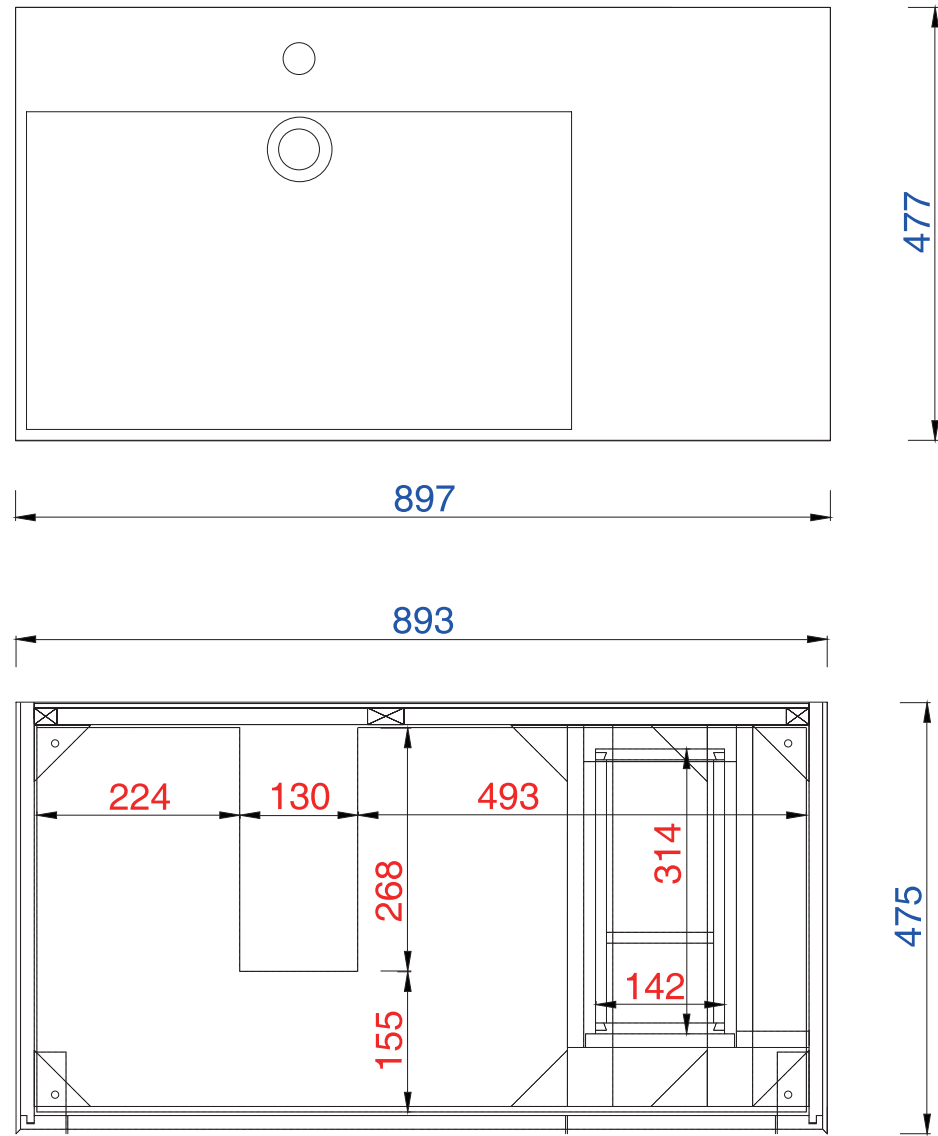
JAMES MARTIN



VANITIES

Linear 914mm Cabinet

Diagrams with Dimensions
page 02 of 03



NOTE ONE: Married Countertop is standard for this cabinet

NOTE TWO: Internal Shelves (Shown) are designed to align with sinks in James Martin's Optional Countertops.

914mm

Item Number:

- 210-V36-GW
- 210-V36-VBL
- 210-V36-WLT
- 210-V36-WW

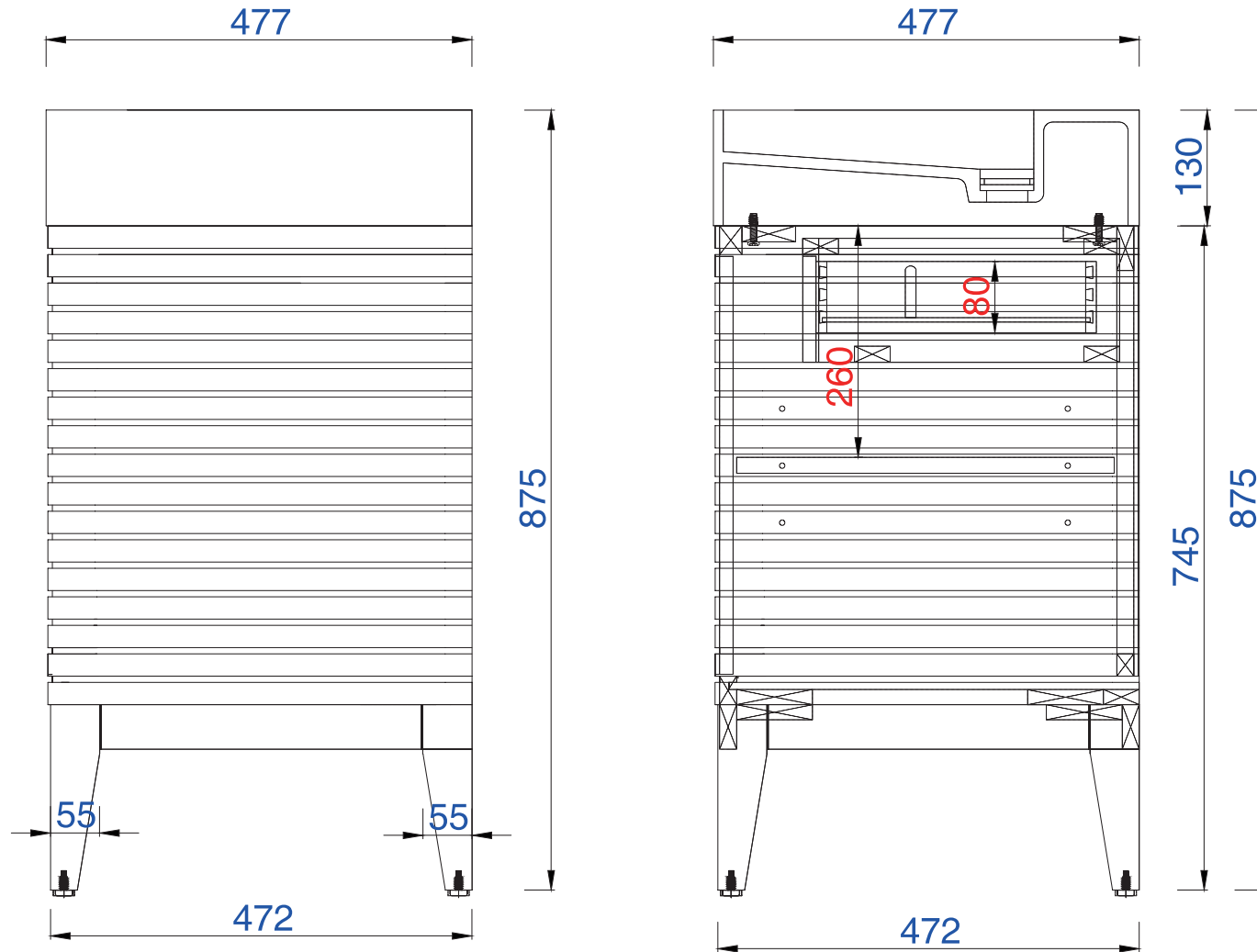
JAMES MARTIN



VANITIES

Linear 914mm Cabinet

Diagrams with Dimensions
page 03 of 03



NOTE ONE: Married Countertop is standard for this cabinet
NOTE TWO: This vanity does not have a Backsplash.