

59"

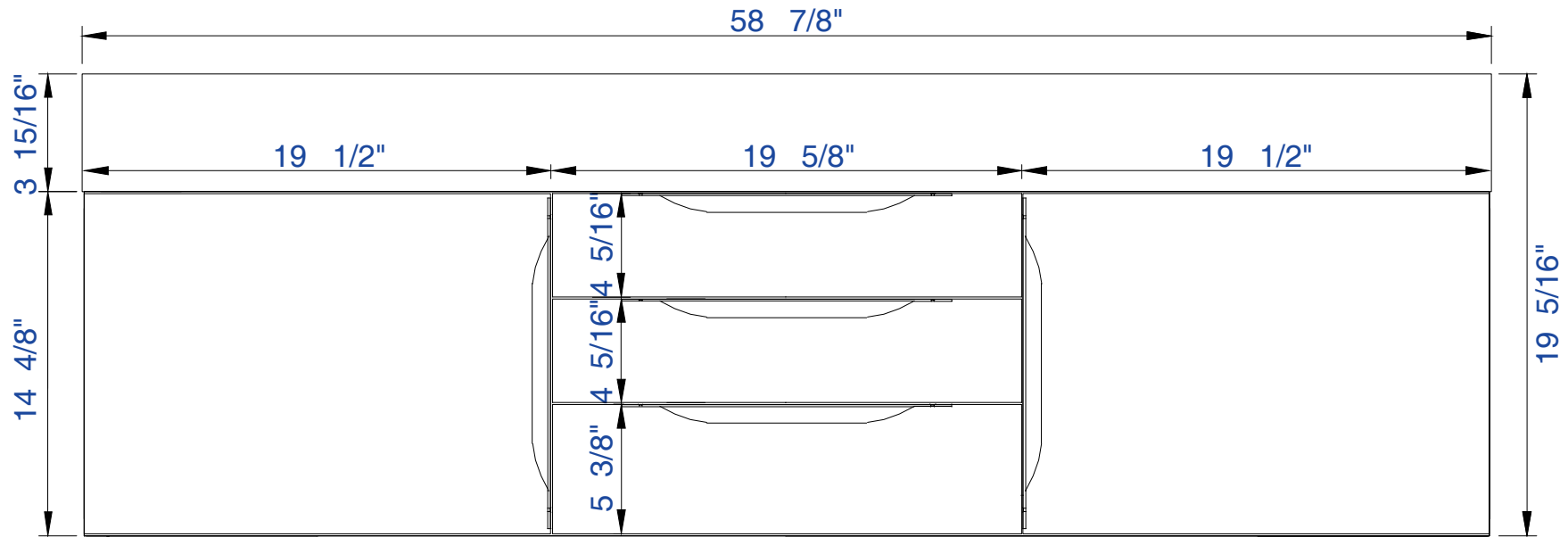
Item Number :

- 389-V59-AGR-A
- 389-V59-CFO-A
- 389-V59-GW-A
- 389-V59-LTO-A



Mercer Island 59" Cabinet

Diagrams with Dimensions
page 01 of 03



NOTE ONE: Married Countertop is standard for this cabinet.
NOTE TWO: This vanity does not have a Backsplash.

59"

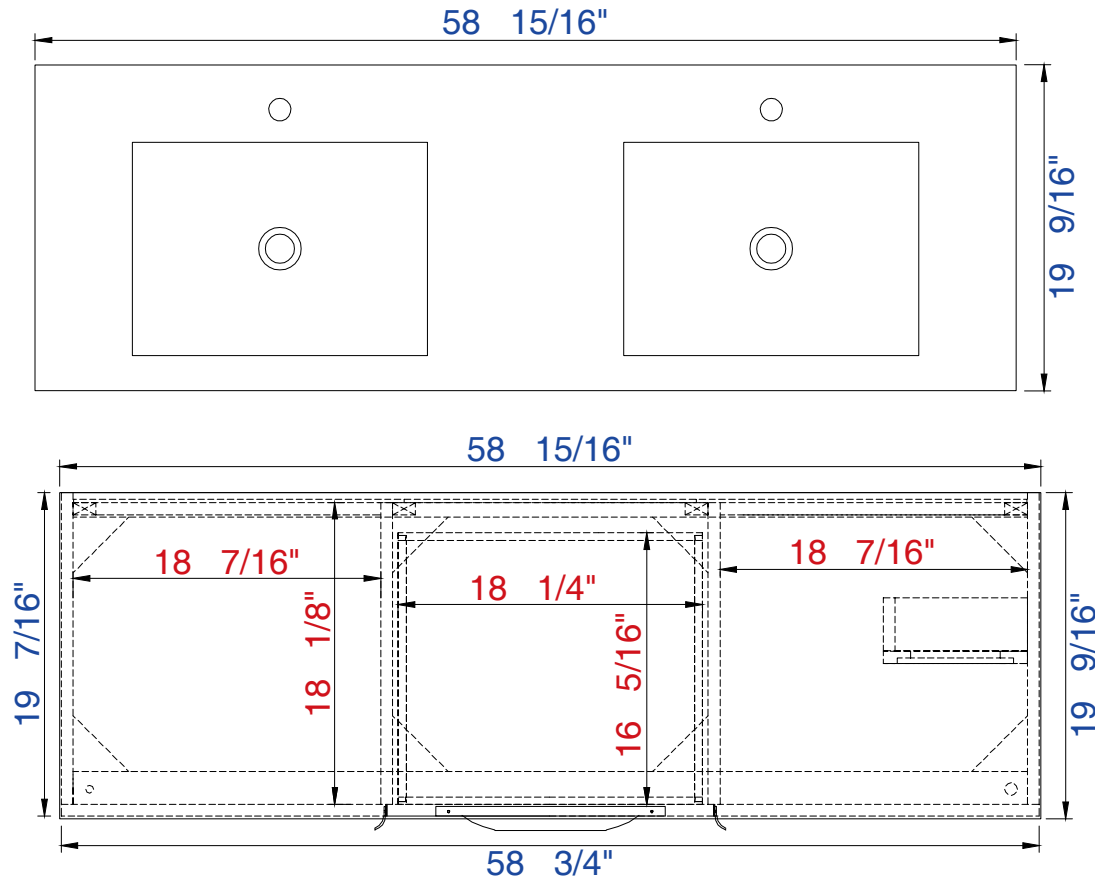
Item Number:

- 389-V59-AGR-A
- 389-V59-CFO-A
- 389-V59-GW-A
- 389-V59-LTO-A



Mercer Island 59" Cabinet

Diagrams with Dimensions
page 02 of 03



NOTE ONE: Married Countertop is standard for this cabinet.

59"

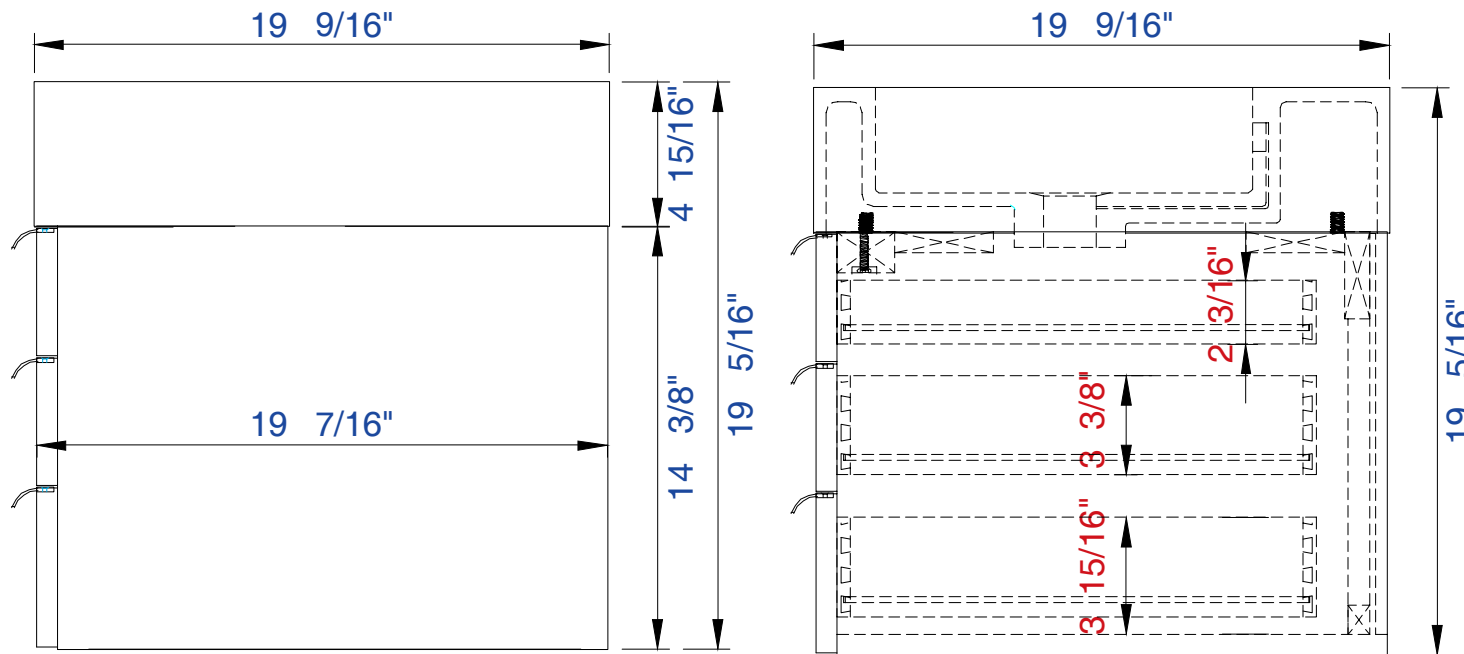
Item Number :

- 389-V59-AGR-A
- 389-V59-CFO-A
- 389-V59-GW-A
- 389-V59-LTO-A



Mercer Island 59" Cabinet

Diagrams with Dimensions
page 03 of 03



NOTE ONE: Married Countertop is standard for this cabinet.
NOTE TWO: This vanity does not have a Backsplash.

1496mm

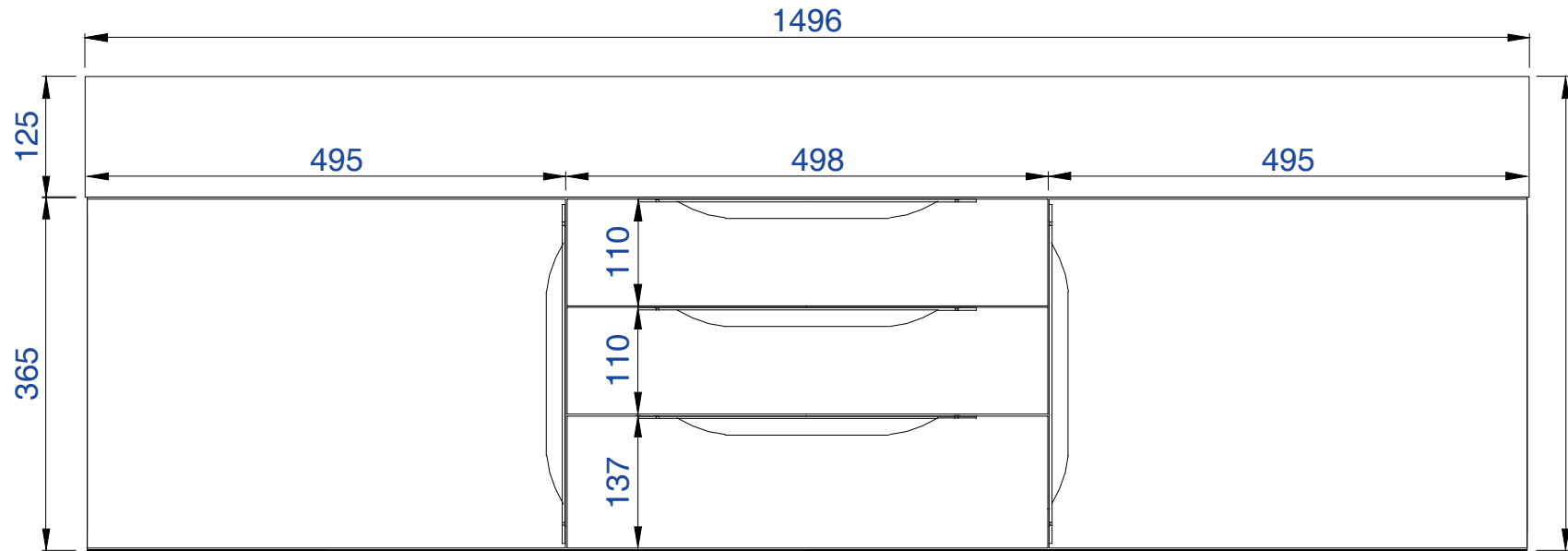
Item Number :

- 389-V59-AGR-A
- 389-V59-CFO-A
- 389-V59-GW-A
- 389-V59-LTO-A



Mercer Island 1496mm Cabinet

Diagrams with Dimensions
page 01 of 03



NOTE ONE: Married Countertop is standard for this cabinet.
NOTE TWO: This vanity does not have a Backsplash.

1496mm

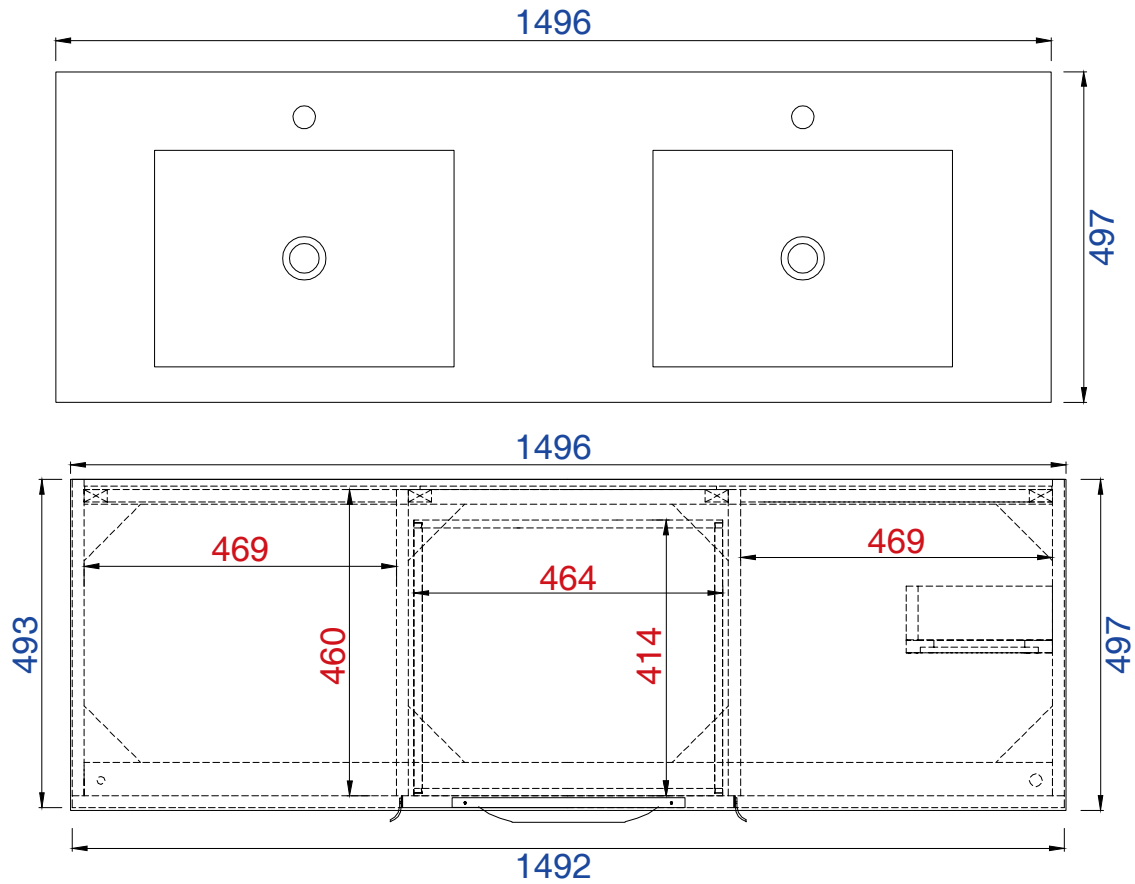
Item Number:

- 389-V59-AGR-A
- 389-V59-CFO-A
- 389-V59-GW-A
- 389-V59-LTO-A



Mercer Island 1496mm Cabinet

Diagrams with Dimensions
page 02 of 03



NOTE ONE: Married Countertop is standard for this cabinet.

1496mm

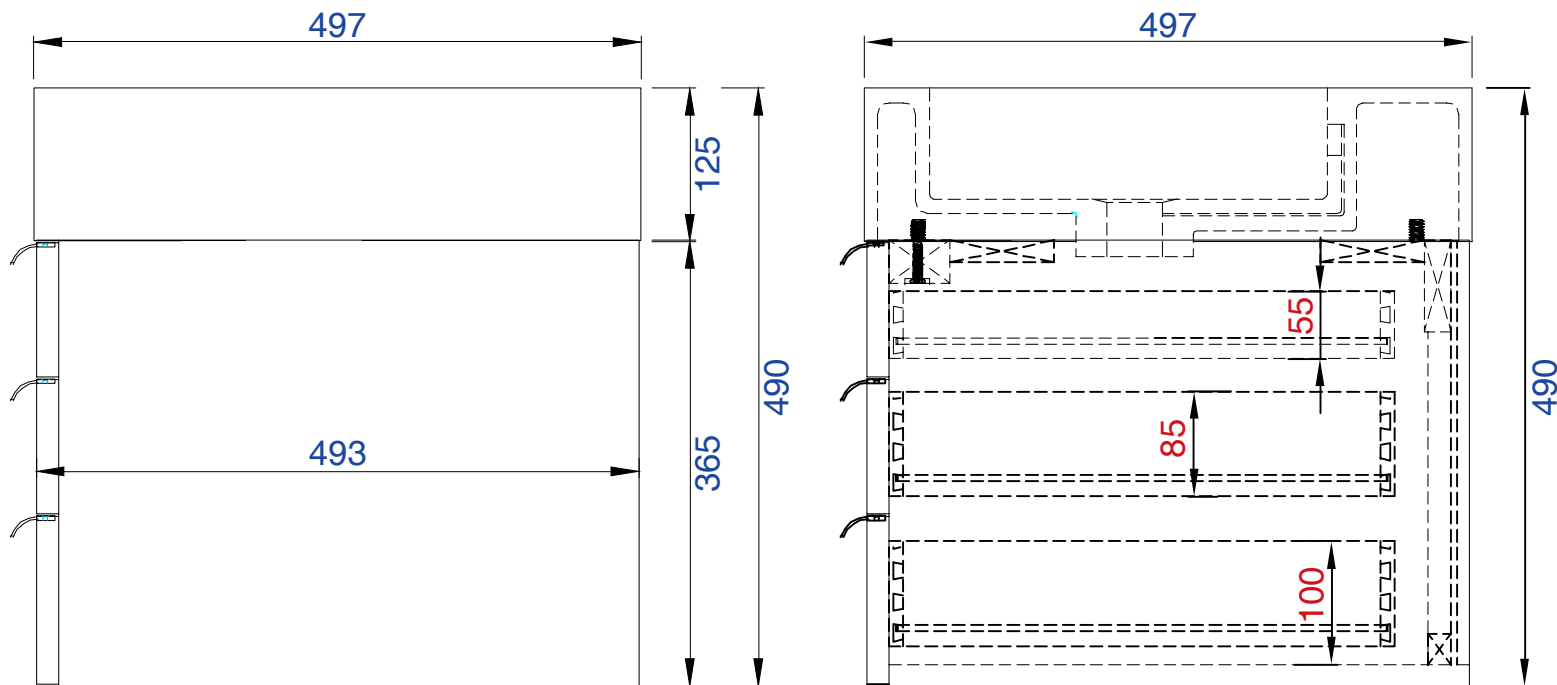
Item Number :

- 389-V59-AGR-A
- 389-V59-CFO-A
- 389-V59-GW-A
- 389-V59-LTO-A



Mercer Island 1496mm Cabinet

Diagrams with Dimensions
page 03 of 03



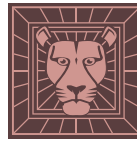
NOTE ONE: Married Countertop is standard for this cabinet.
NOTE TWO: This vanity does not have a Backsplash.

59"

Item Number:

- 389-V59-AGR-A
- 389-V59-CFO-A
- 389-V59-GW-A
- 389-V59-LTO-A

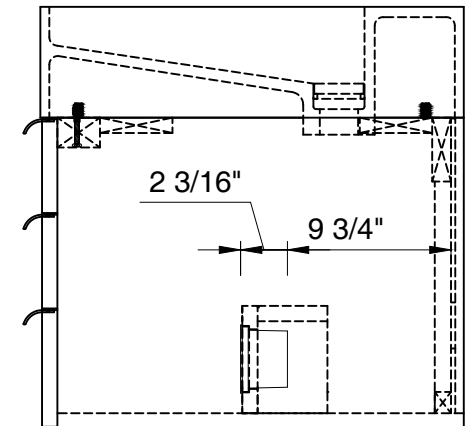
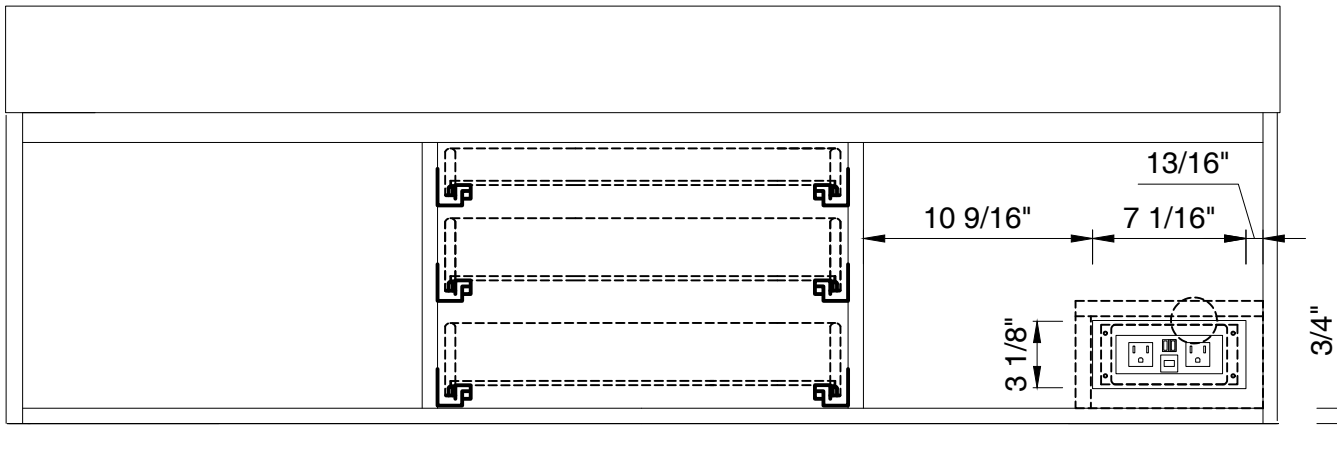
JAMES MARTIN



VANITIES™

Mercer Island 59" Cabinet

Diagrams with Dimensions
page 01 of 01

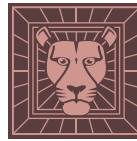


1496mm

Item Number:

- 389-V59-AGR-A
- 389-V59-CFO-A
- 389-V59-GW-A
- 389-V59-LTO-A

JAMES MARTIN



VANITIES™

Mercer Island 1496mm Cabinet

Diagrams with Dimensions
page 01 of 01

