

Features

- Freestanding design creates a striking focal point in your bathing area.
- Integral lumbar support.
- Wide ledge on one side is ideal for deck-mount faucet and/or handshower.
- 16" soaking depth.
- Textured bottom surface.
- Center drain.
- 60" (1524 mm) x 34" (864 mm) x 25-1/4" (641 mm)

Material

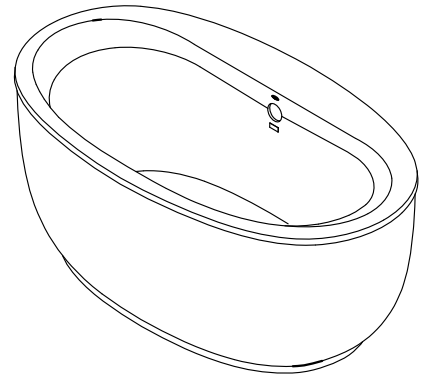
- Acrylic

Installation

- Freestanding
- PureFlo drains are not recommended for a deck-mount faucet installation

Recommended Accessories

K-7265 Clearflo Bath Drain
K-37383 30" Rough-in Cable Bath Drain
K-37386 30" Rough-in Cable Bath Drain
K-24916 Wireless Music Kit
K-T37391 Bath Cable Drain Trim
K-T37392 Bath Cable Drain Trim
K-T37393 Bath Cable Drain Trim
K-T37394 Bath Cable Drain Trim
K-T37395 Bath Cable Drain Trim
K-T37396 Bath Cable Drain Trim
K-T37397 Cable Bath Drain Trim



Codes/Standards



CSA B45.5/IAPMO Z124
ASTM E162
ASTM E662

KOHLER® One-Year Limited Warranty

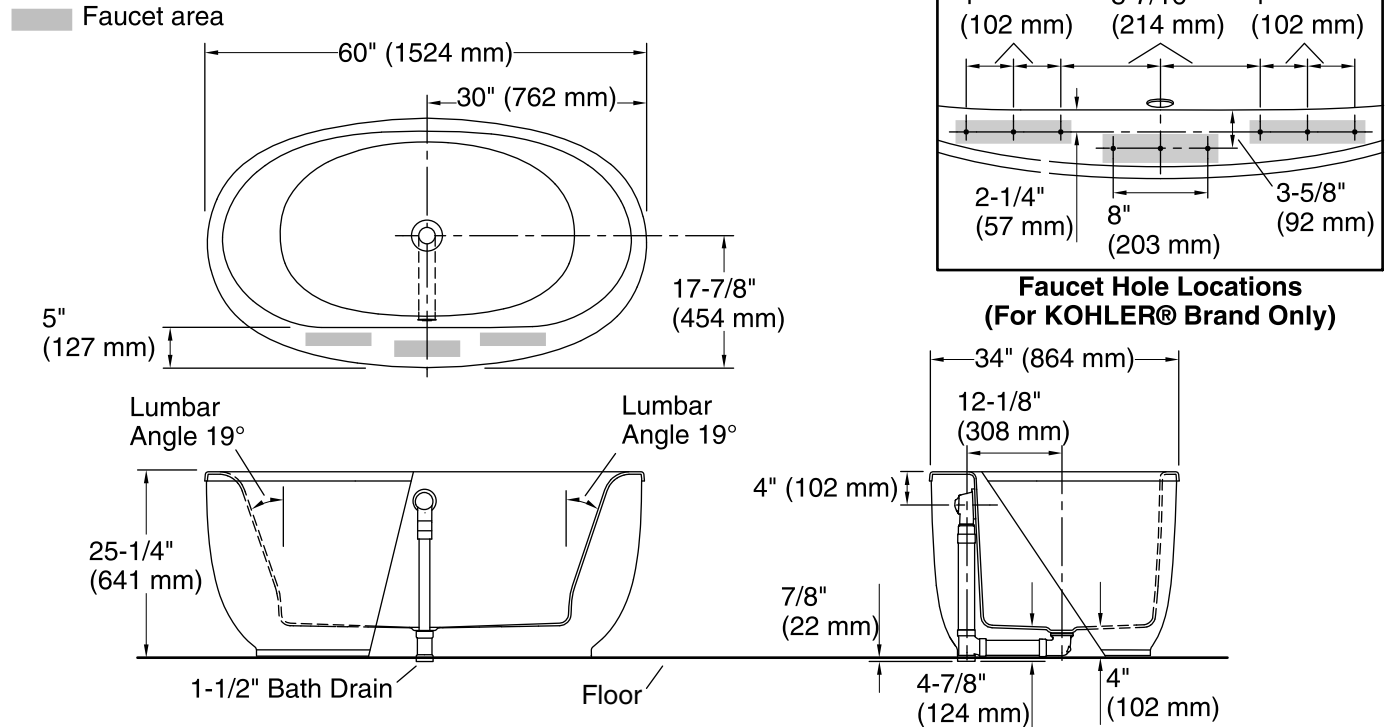
See website for detailed warranty information.

Available Color/Finishes

Color tiles intended for reference only.

| Color | Code | Description |
|--|------|-------------|
|  | 0 | White |
|  | 96 | Biscuit |

No change in measurements if connected with drain illustrated. (K-37385)



Technical Information

All product dimensions are nominal.

| | |
|---------------------|---|
| Installation: | Freestanding |
| Drain location: | Center |
| Basin area, bottom: | 39-5/8" x 23-5/8" (1006 mm x 599 mm) |
| Basin area, top: | 49-9/16" x 25-1/2" (1259 mm x 648 mm) |
| Weight: | 170 lbs (77.1 kg) |
| Minimum floor load: | 49.8 lbs/ft ² (243.1 kg/m ²) |
| Water depth: | 16" (406 mm) |
| Water capacity: | 60 gal (227.1 L) |

Notes

Measure your actual product for rough-in details. Install this product according to the installation instructions. The hot water supply should be 70% of the capacity of the bath or greater. Installations will vary.