



Inia® Wading Pool®

Vessel Bathroom Sink
K-2773

Features

- Deep rectangular basin in translucent glass with rippled texture.
- No faucet holes; requires wall- or counter-mount faucet.
- Glass material provides a strong, durable surface that is easy to clean.
- The Inia sink is available in clear glass (Ice), Translucent colors, and Opaque colors.

Material

- Glass

Installation

- Vessel

Included Components

Additional Components:
1197255



ADA

Codes/Standards






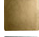

CSA B45.11/IAPMO Z401
ADA
ICC/ANSI A117.1

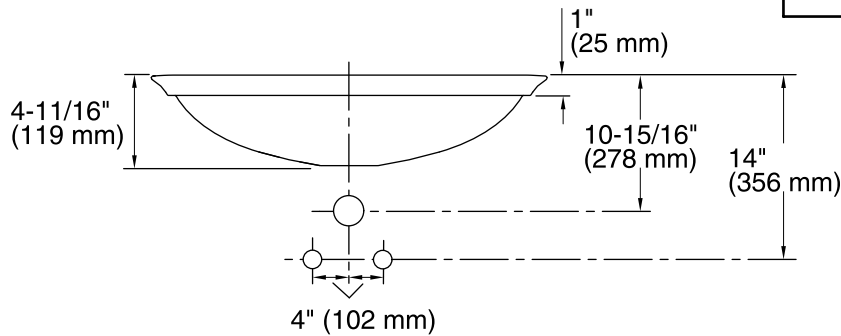
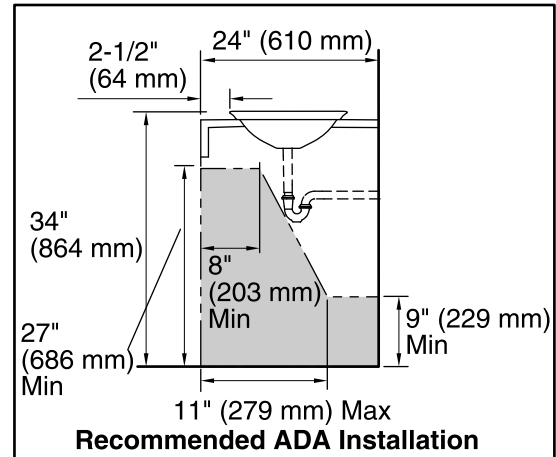
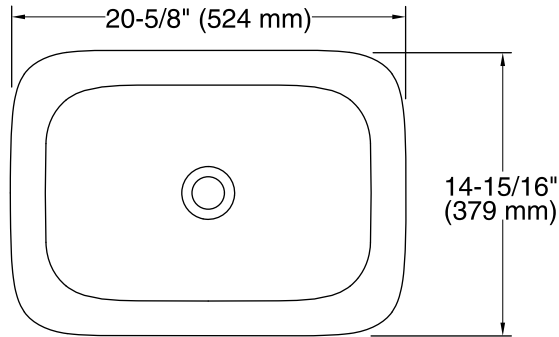
KOHLER® One-Year Limited Warranty

See website for detailed warranty information.

Available Colors/Finishes

Color tiles intended for reference only.

Color	Code	Description
	B11	Ice
	TG1	Translucent Dusk
	TG2	Translucent Dew
	TG3	Translucent Doe
	TG6	Translucent Sapphire
	TG7	Translucent Sandalwood
	TG8	Translucent Stone



Technical Information

All product dimensions are nominal.

Installation: Vessel

Template: 1190263-7, not required, included

Notes

Install this product according to the installation instructions.

Product does not have an overflow.

NOTICE: Countertop manufacturer or cutter must use the cut-out template provided with the product, or a current one provided by Kohler Co. (call 1-800-4KOHLER). Kohler Co. is not responsible for cut-out errors when the incorrect cut-out template is used.

Product must be installed with the supplied drain gasket kit.

ADA compliant when installed to the specific requirements of these regulations.