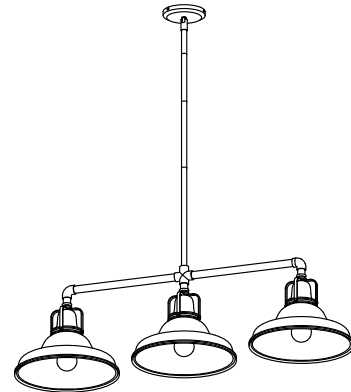


### Features

- The double-domed metal shade features a cage detail at the connection.
- An impressive 42" (1067 mm) wide chandelier, perfect for over a large island or dining table.
- Medium base (E26) socket, works best with type A or G light bulbs (sold separately).
- Suitable for damp locations, per UL 1598.

### Material

- Manufactured with quality materials and complemented with a meticulous finishing process.
- Durable finishes engineered to last and designed to coordinate with KOHLER faucet finishes.



### Codes/Standards





UL 1598  
CSA C22.2 No. 250

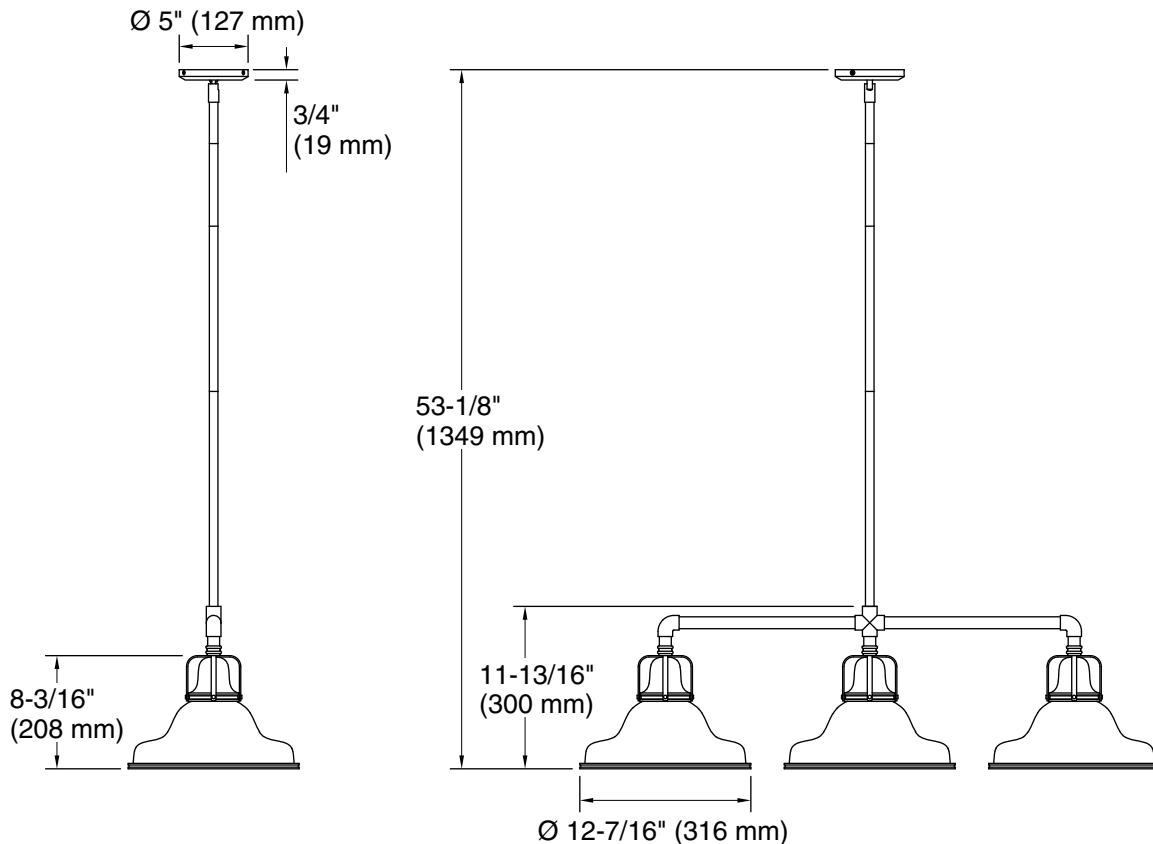
### KOHLER® Indoor Lighting Fixtures Limited Warranty

See website for detailed warranty information.

### Available Colors/Finishes

*Color tiles intended for reference only.*

Color	Code	Description
	CPL	Polished Chrome
	BML	Black, Brass Trim
	WCL	White, Chrome Trim
	WGL	White, Gold Trim



## Required Electrical Service

One circuit required.

Lights: 120 V, 12 A, 60 Hz

## Technical Information

All product dimensions are nominal.

Material: Steel, Aluminum, Zinc

Number of Lights: 3

Lighting Type: Socket-based

Socket Type: E-26 Medium

Number of Shades: 3

Shade Type: Metal

Hanging Type: Downrod

Downrod Detail: 1 x 3" (76 mm), 1 x 6" (152 mm), 1 x 12" (305 mm), 2 x 18" (457 mm)

Height: 15-1/4" (388 mm) - 72-1/4" (1835 mm)

Electrical component rating: Socket Rating: 60 Hz, 100 W