



# Highline® Comfort Height®

two-piece elongated 1.28 gpf toilet  
K-3889-RA

## Features

- Two-piece toilet.
- Elongated bowl offers added room and comfort.
- Comfort Height® feature offers chair-height seating that makes sitting down and standing up easier for most adults.
- 1.28 gallons per flush (gpf).
- Right-hand Polished Chrome trip lever included.
- Combination consists of the K-4467-RA tank and the K-4373 bowl.

## Technology

- Single-flush gravity uses the force of gravity and a precision-engineered tank, bowl, and trapway to create a strong siphon during flushing.
- Class Five® flushing technology offers virtually plug-free performance and rinsing power for a clean bowl.

## Installation

- 10-inch rough-in.
- Three-bolt installation.
- Seat and supply line not included.

## Water Conservation & Rebates

- WaterSense® toilets meet strict EPA flushing guidelines, including using at least 20 percent less water than 1.6-gallon toilets.
- Eligible for consumer rebates in some municipalities.

## Recommended Products/Accessories

- K-4636 Cachet® Quiet-Close™ Elongated Toilet Seat
- K-5588 Purefresh® Elongated Toilet Seat
- K-4108 C³®-230 elongated cleansing toilet seat
- K-5420 Low-Profile Bolt Caps
- K-9379 Trip Lever
- 1023457 Wax Ring/Hardware Kit
- 1265114 Connector Hose

## Included Components

Product consists of:

- K-4373 Toilet Bowl
- K-4467-RA Toilet Tank

Additional Components:

- Bolt cap accessory pack
- Tank accessory pack
- Tank cover
- Trip lever



**ADA** **CSA B651** **OBC**

## Codes/Standards




- ASME A112.19.2/CSA B45.1
- DOE - Energy Policy Act 1992
- EPA WaterSense®
- California Energy Commission (CEC)
- ADA
- ICC/ANSI A117.1
- CSA B651
- OBC

## KOHLER® One-Year Limited Warranty

See website for detailed warranty information.

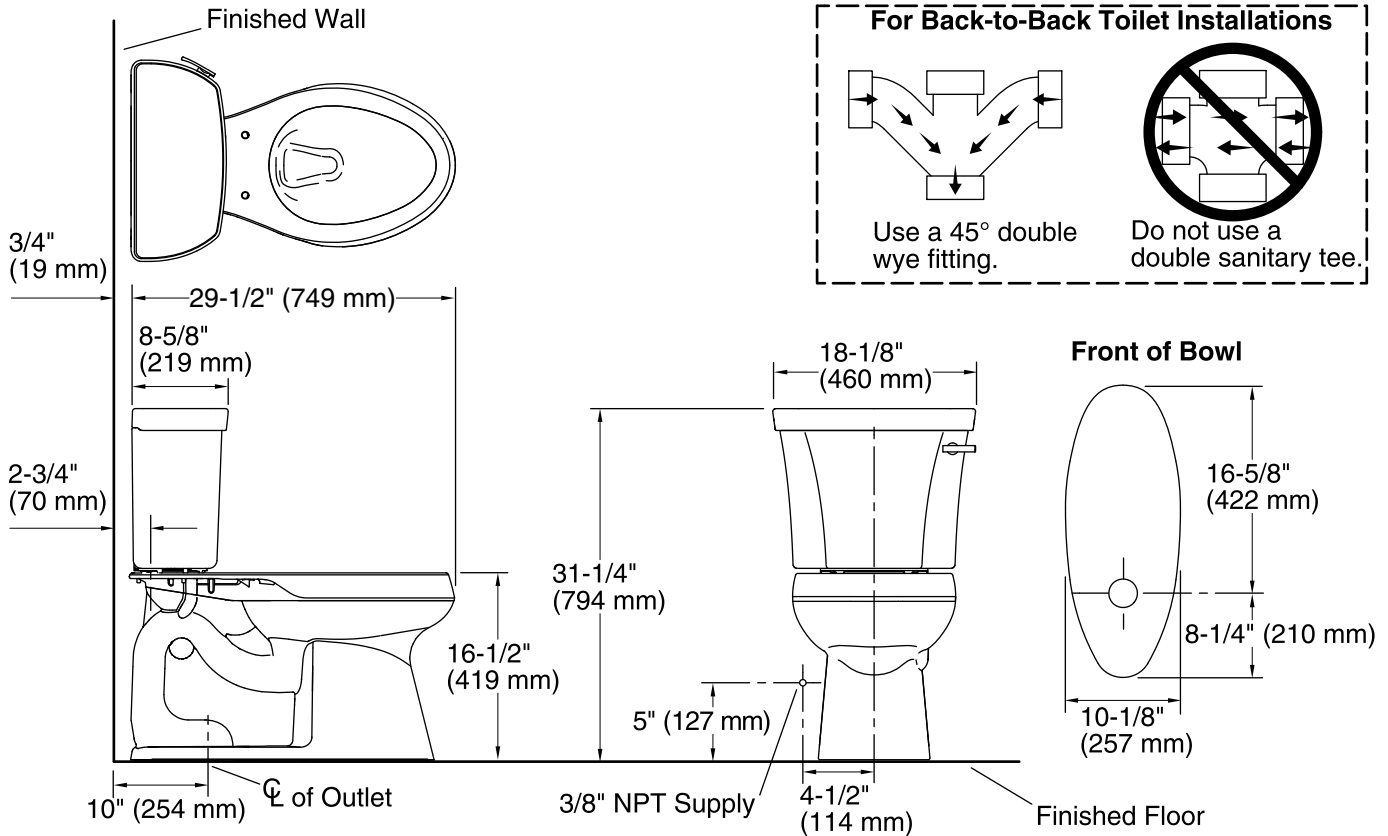
## Available Colors/Finishes

*Color tiles intended for reference only.*

Color	Code	Description
	0	White
	96	Biscuit
	47	Almond



**Highline® Comfort Height®**  
two-piece elongated 1.28 gpf toilet  
**K-3889-RA**



**Technical Information**

All product dimensions are nominal.

- Toilet type: Two-piece, Floor-mount
- Waste Outlet: Floor
- Bowl shape: Elongated
- Flush type: Class Five®
- Trap passageway: 2-1/8" (54 mm)
- Water Consumption
  - Full: 1.28 gpf (4.8 lpf)
- Water surface size: 11-3/8" x 8" (289 mm x 203 mm)
- Rim to water surface: 5-3/8" (137 mm)
- Rough-in: 10" (254 mm)
- Seat-mounting holes: 5-1/2" (140 mm)

**Notes**

- Install this product according to the installation instructions.
- ADA, OBC, CSA B651 compliant when installed to the specific requirements of these regulations.
- Plumbing codes may require elongated toilets and elongated, open-front seats in public bathrooms.
- Accessibility standards may require controls to be located on the open side of the toilet.