

Features

- 8-Gallon (30.3 Liter)
- 18.5" Height (28.2" with Lid Open) x 16.8" Width x 13.0" Depth
- Compact Design – Fits in height-constrained spaces
- Fingerprint Proof – Stays cleaner longer
- Effortless Bag Exchange – Raised liner and rim locks open for easy bag change
- Quiet-Close Lid – Lid closes gently and silently
- Removable Liner – Liner is easy to remove for cleaning
- Won't Scuff – Hinge design protects the wall
- Space-Saving – Fits snug against the wall
- Hands-Free Operation – Lid opens with durable foot pedal



Codes/Standards

None Applicable

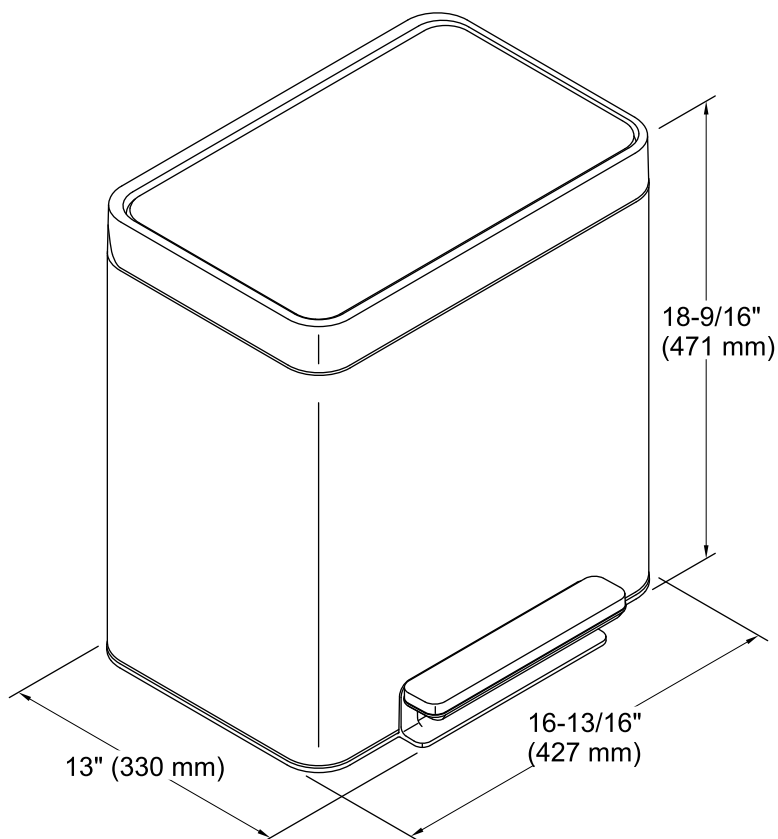
KOHLER® Step Trash Can Ten-Year Limited Warranty

See website for detailed warranty information.

Available Color/Finishes

Color tiles intended for reference only.

Color	Code	Description
	ST	Stainless Steel
	BST	



Technical Information

All product dimensions are nominal.