

## Model

- Plaza 2430
- Included model in this configuration:
  - Plaza 1230
  - Plaza 1530
  - Plaza 1830
  - Plaza 2030

## Construction

- Quality polished edge mirror
- 5 MM Silver Backed Copper Free
- Installation Either Surface Mount (Side Mirror Trim Panels included) or Recessed
- Includes installation hardware

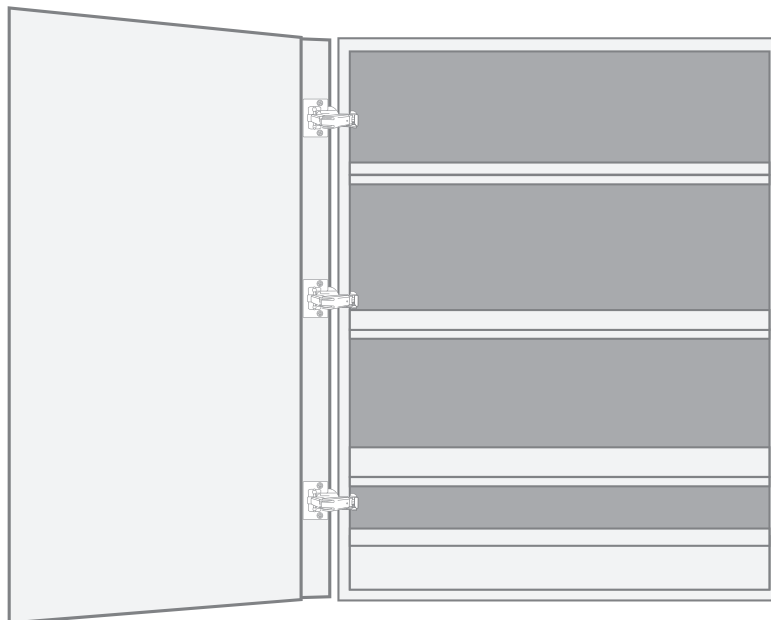
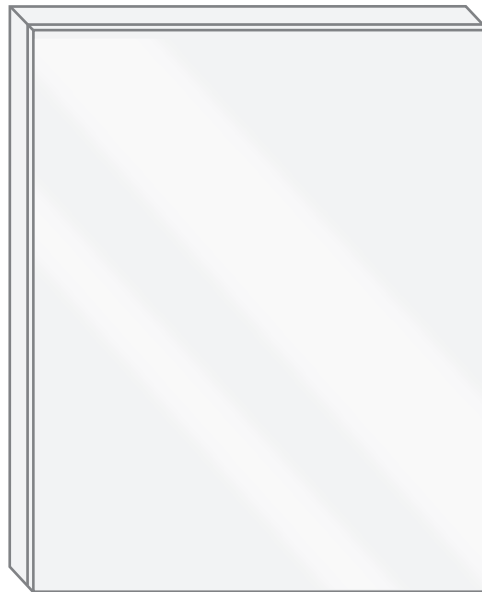
## Codes/Standards Applicable

- Conforms to UL Std. 962
- Cert. to CSA Std. C22.2 No.250.0-08
- ETL Intertek 5004931

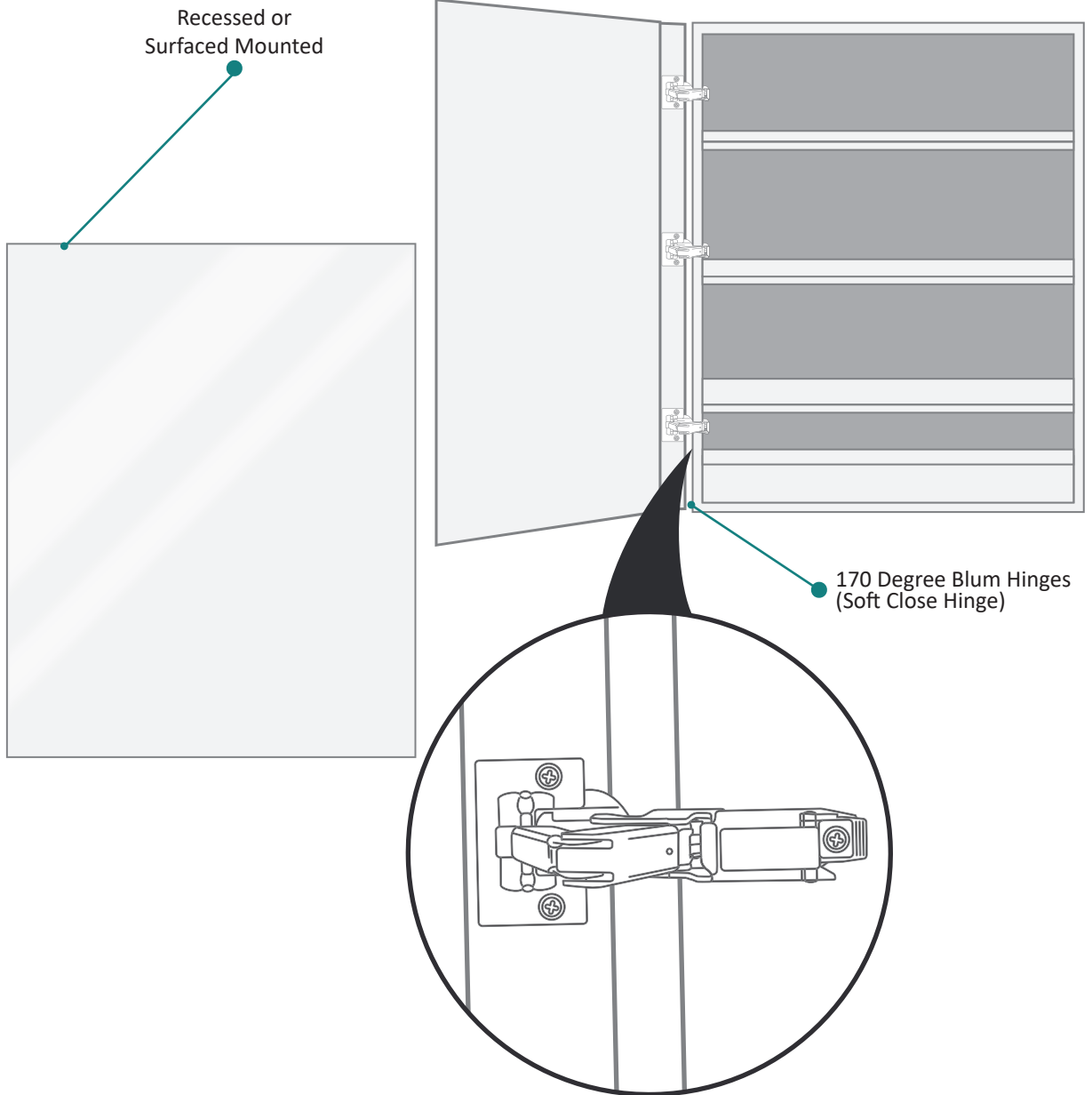


## ***CABINET CONFIGURATION***

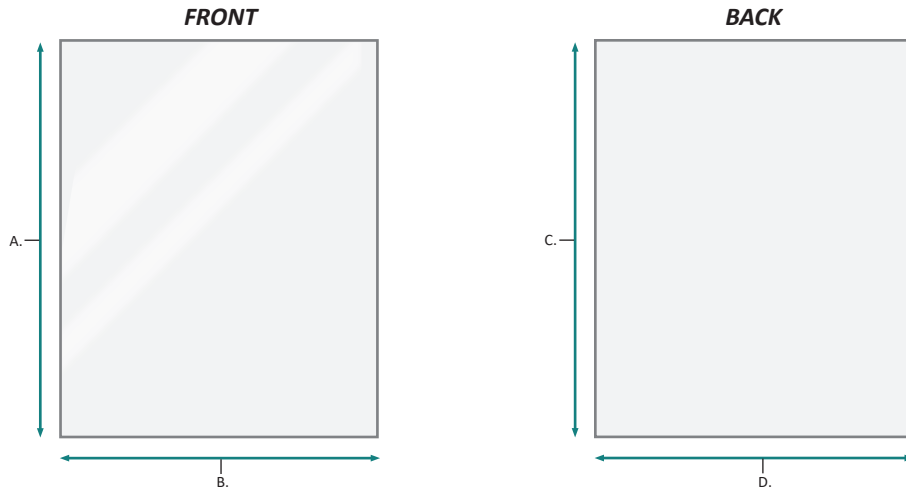
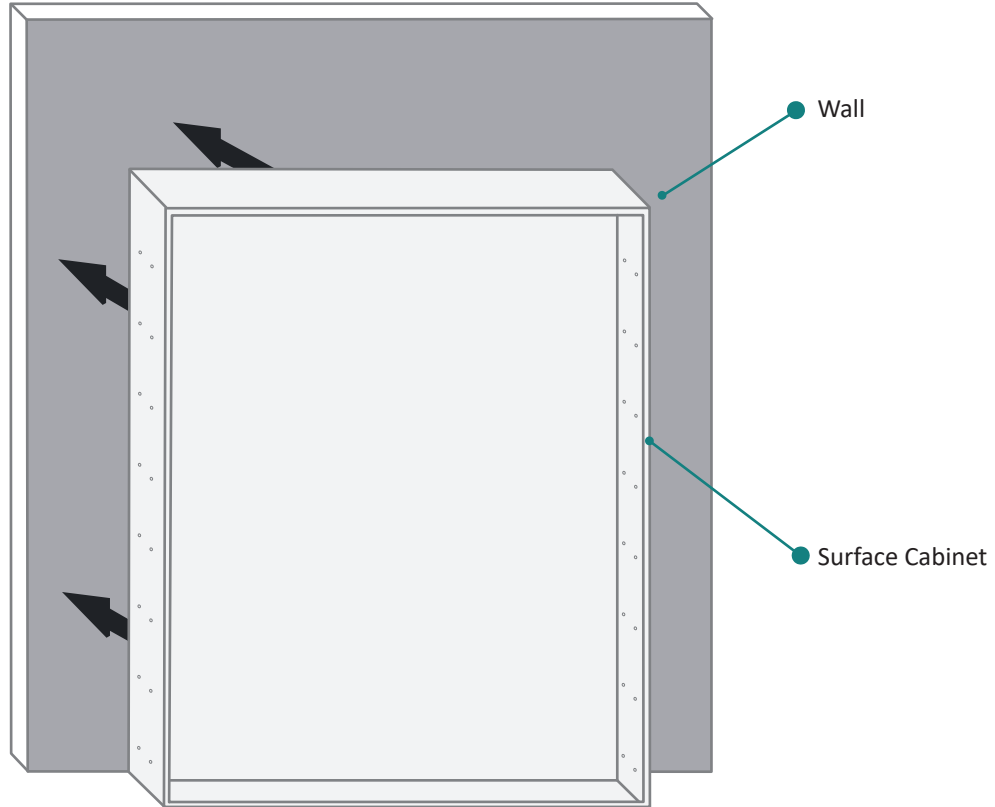
- Included model in this configuration:  
Plaza 1230 Plaza 1530  
Plaza 1830 Plaza 2030



# Plaza 2430 Medicine Cabinet - Specification Sheet



## SURFACE MOUNT

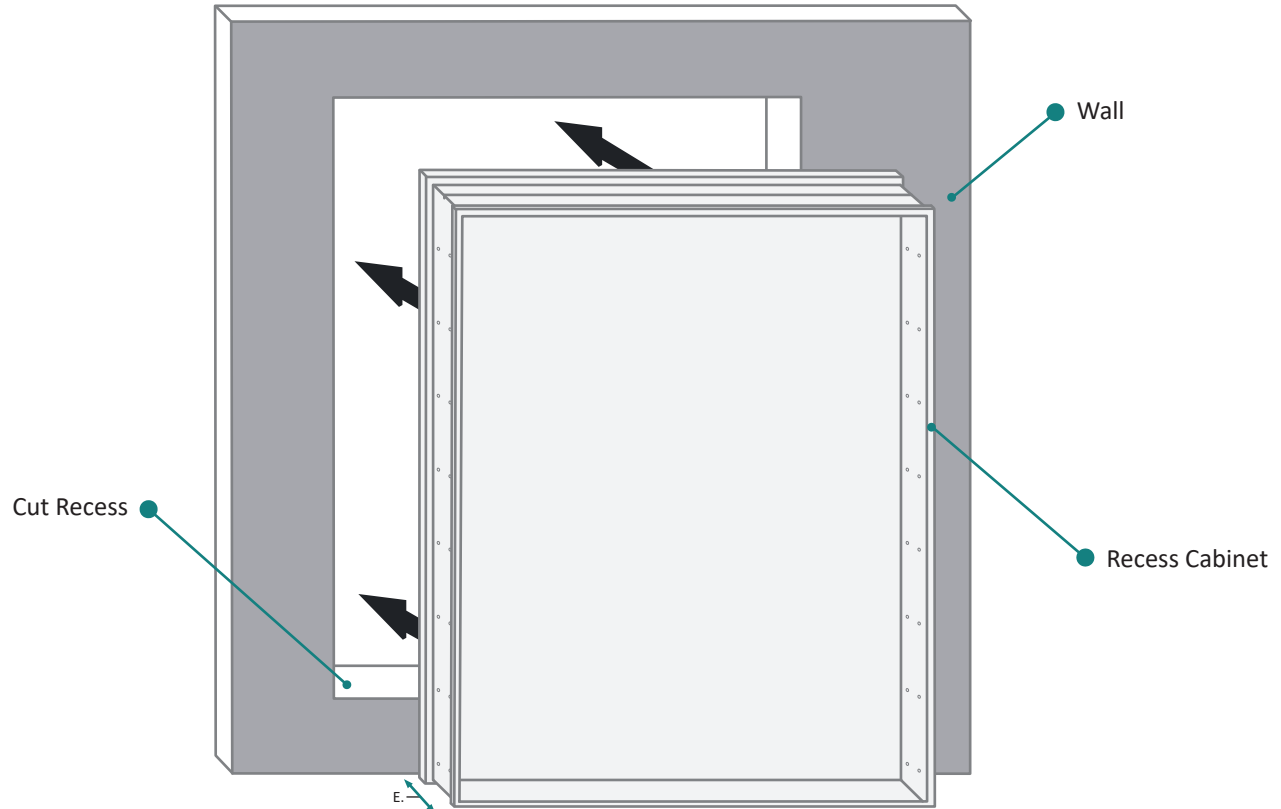


### FRONT & BACK

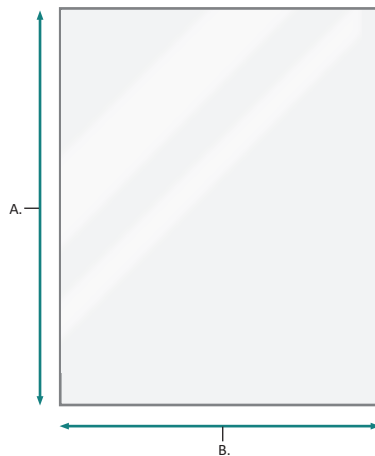
MODEL	A	B	C	D
PLAZA2430	30	24	30	24

These measurements are for reference, for best results we suggest you measure actual product as small variations in size are possible

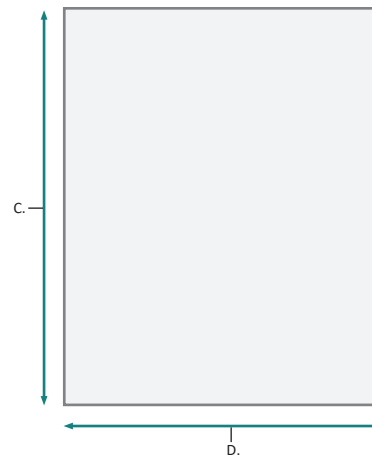
## RECESS MOUNT



**FRONT**



**BACK**

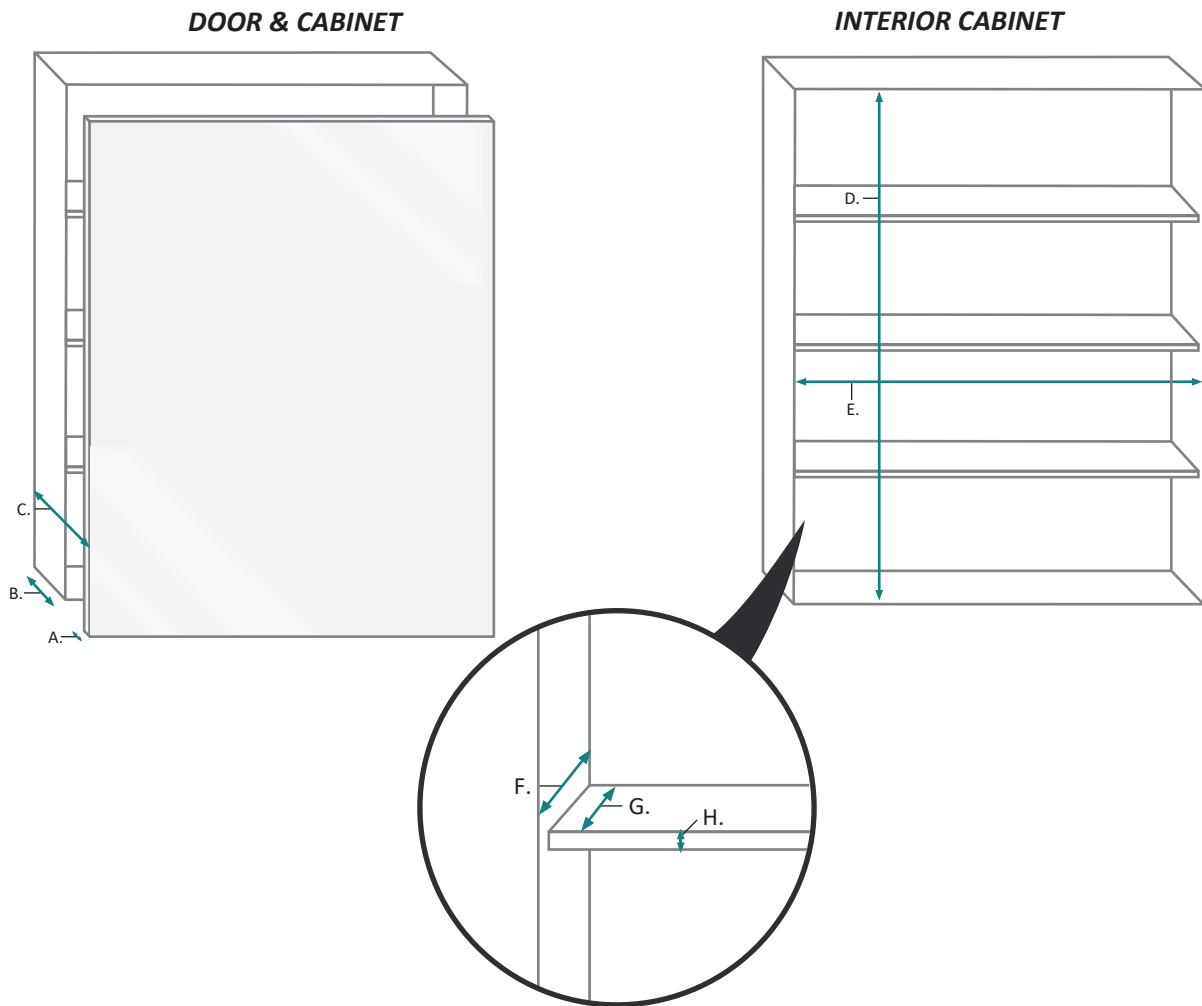


### FRONT & BACK

MODEL	A	B	C	D	E
PLAZA2430	30	24	29-1/8	23-1/8	3-1/2

These measurements are for reference, for best results we suggest you measure actual product as small variations in size are possible

# Plaza 2430 Medicine Cabinet - Specification Sheet



## DOOR, CABINET & INTERIOR CABINET

MODEL	A	B	C	D	E	F	G	H
PLAZA2430	7/8	3-1/2	5	29-5/8	22-1/4	3-5/8	2-3/8	3/8

These measurements are for reference, for best results we suggest you measure actual product as small variations in size are possible