

Features

- Dimmable LED task lighting
- Integrated touch sensor control with memory
- Energy efficient LED lighting 6000K
- 3100 Lumens
- CRI 90+
- Integrated Defogger

Construction

- Quality polished edge mirror
- Single phase wire installation
- 5 MM Silver Backed Copper Free
- Installation Either Surface Mount (Side Mirror Trim Panels included) or Recessed
- Includes installation hardware



Codes/Standards Applicable

- Conforms to UL Std. 962
- Cert. to CSA Std. C22.2 No.250.0-08
- ETL Intertek 5004931

Electrical System

Requirements for each cabinet:

- 120Vac, 60Hz, 53W
- Electric Current: 0.44A
- Wattage: 53W

Model

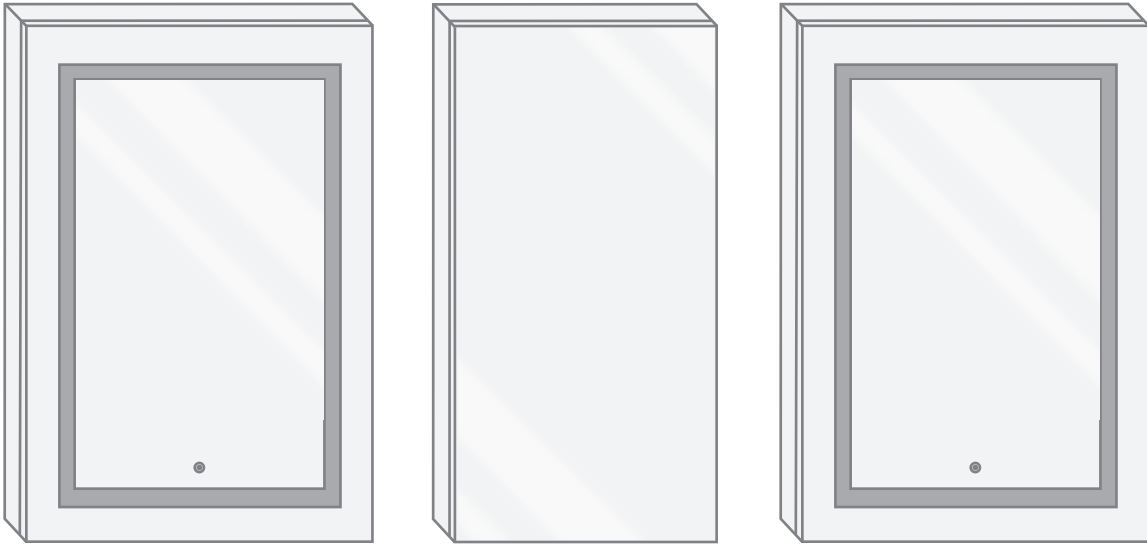
- SVANGE 6636DLRR Right & Left Swinging Doors
- Included models in this configuration:
Cabinet 1 = 2436L Cabinet 2 = 1836R
Cabinet 3 = 2436R

Outlet

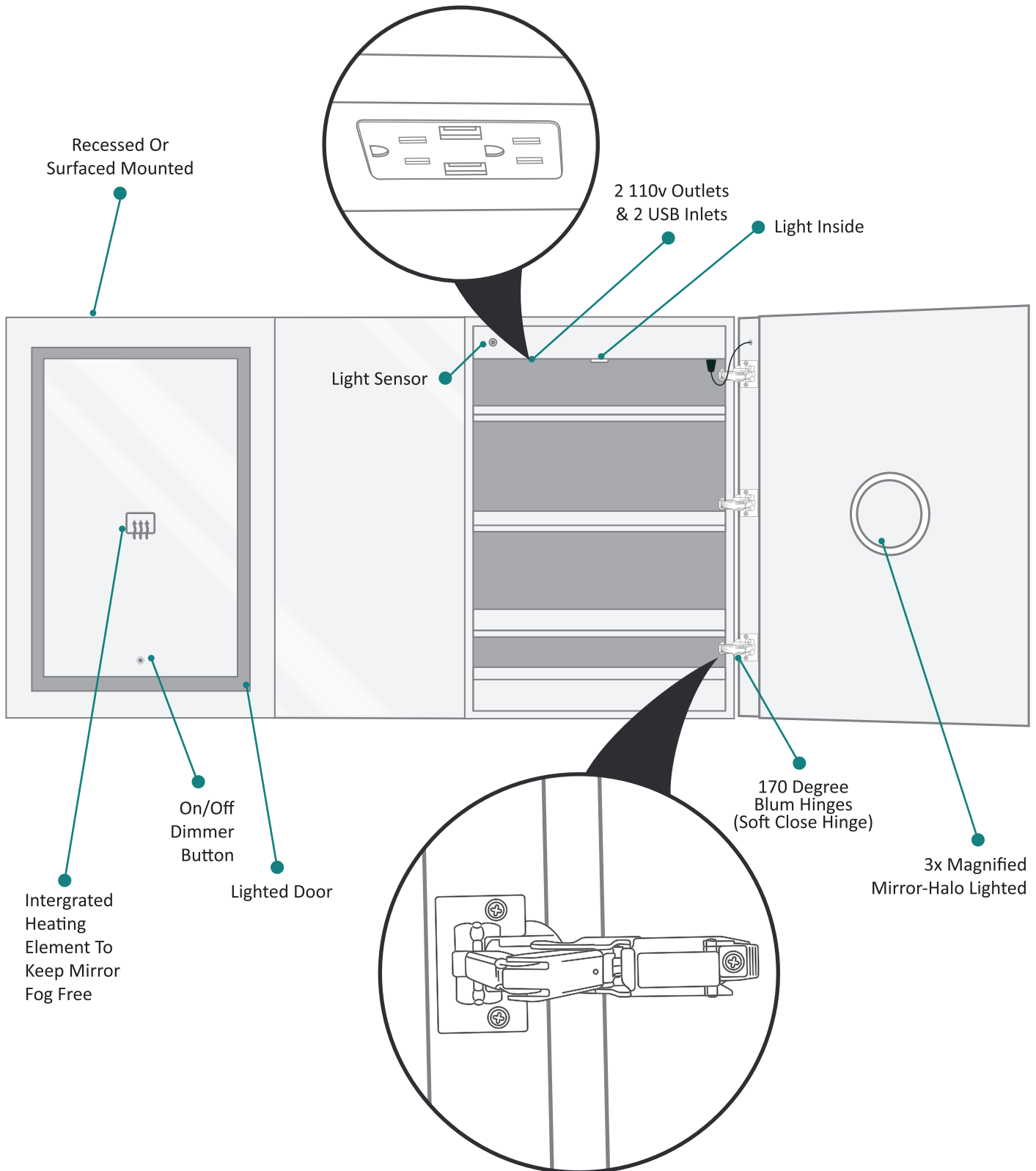
- Performance Requirements: Contains the required Supervisory Circuit with the Auto-Monitoring Function as noted by UL 1310
- Input Voltage: Min 112Vac, Nom 125Vac, Max 137Vac
- Frequency: 60Hz
- Front Receptacle Current: 102-132VAC Nominal 15A
- USB Output Current: 5VDC Nominal 4A

CABINET CONFIGURATION

- Included models in this configuration:
Cabinet 1 = 2436L Cabinet 2 = 1836L Cabinet 3 = 2436R



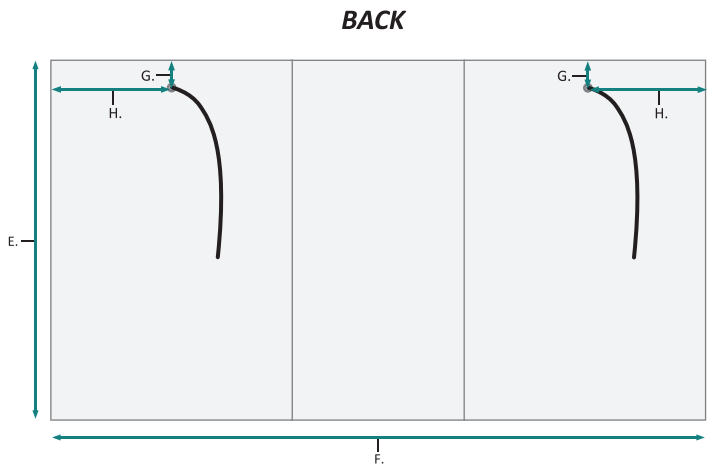
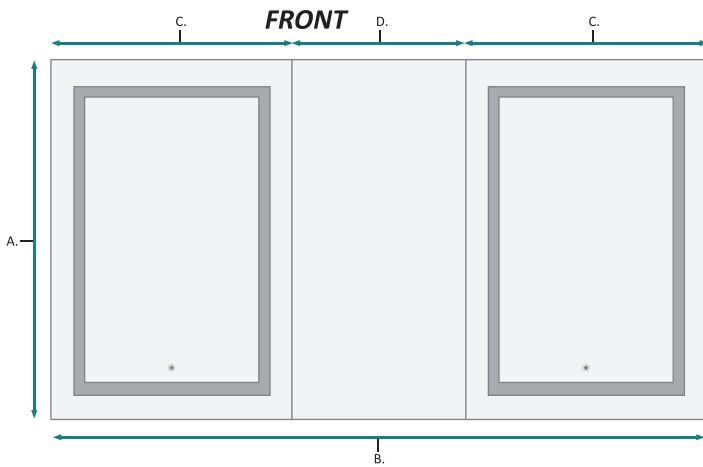
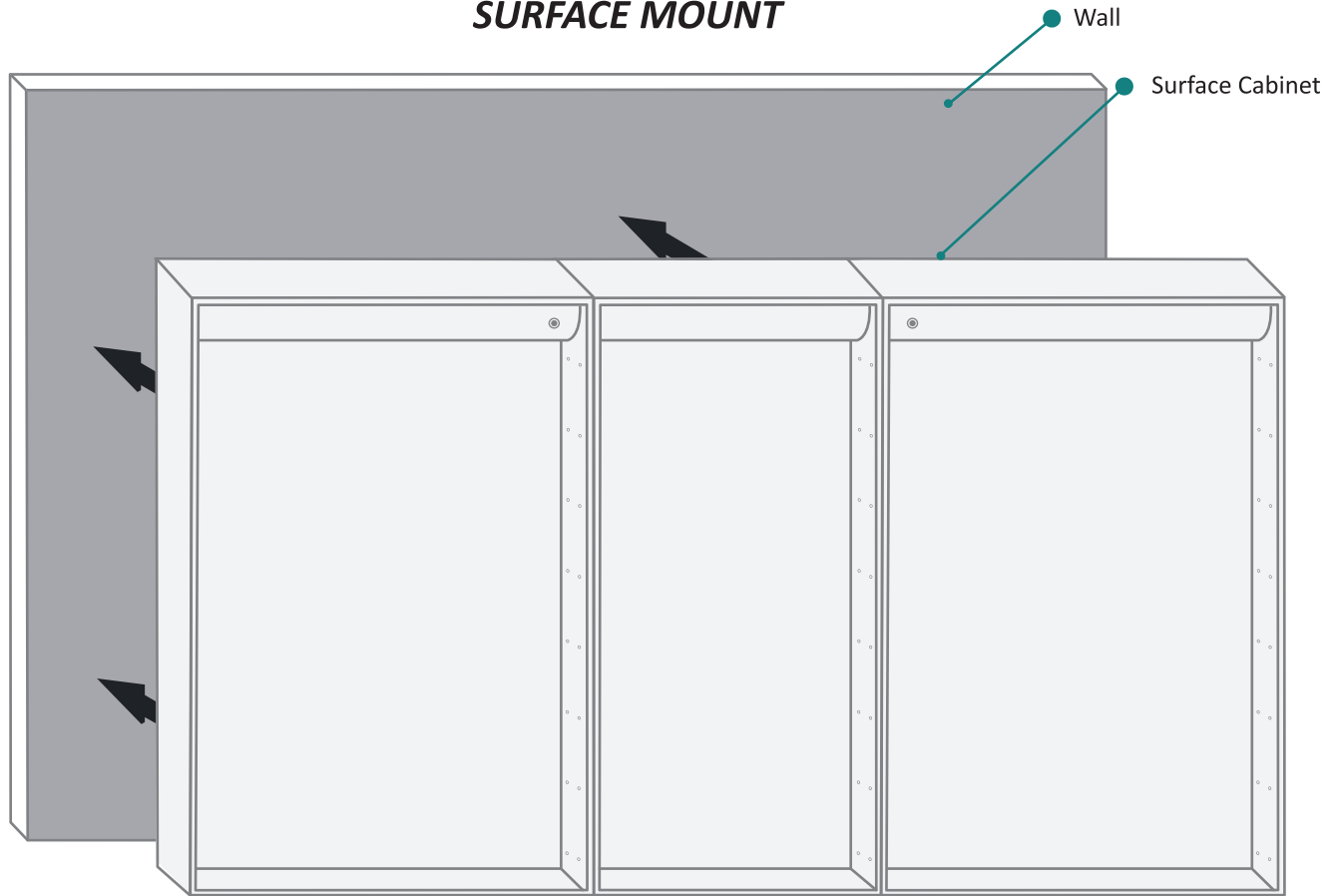
SVANGE 6636DLLR Wall Mirror - Specification Sheet



SVANGE 6636DLLR Wall Mirror - Specification Sheet



SURFACE MOUNT



FRONT & BACKS

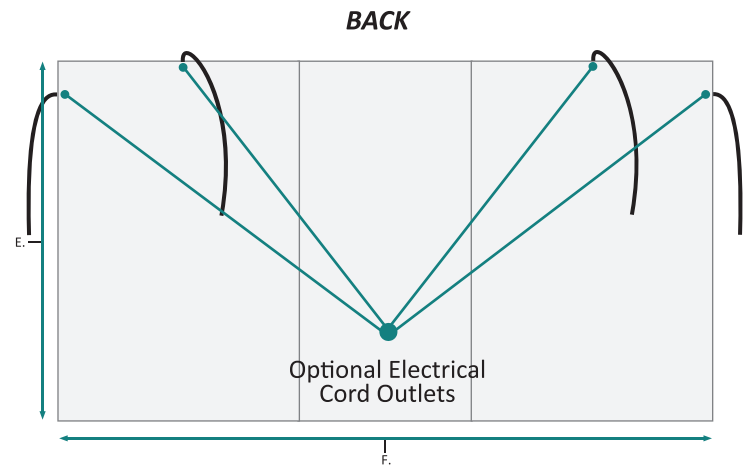
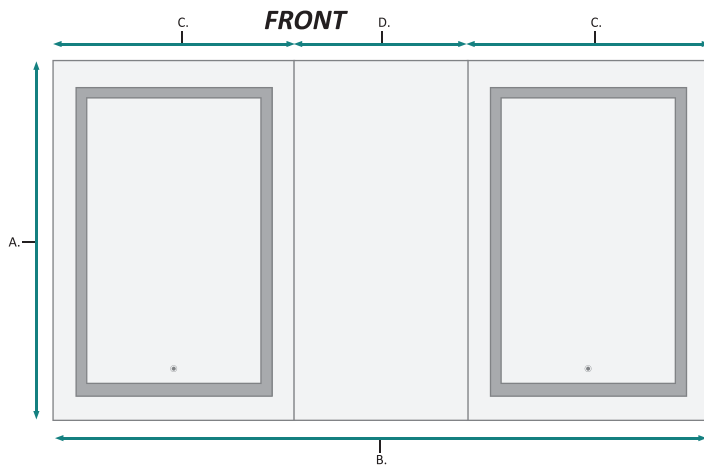
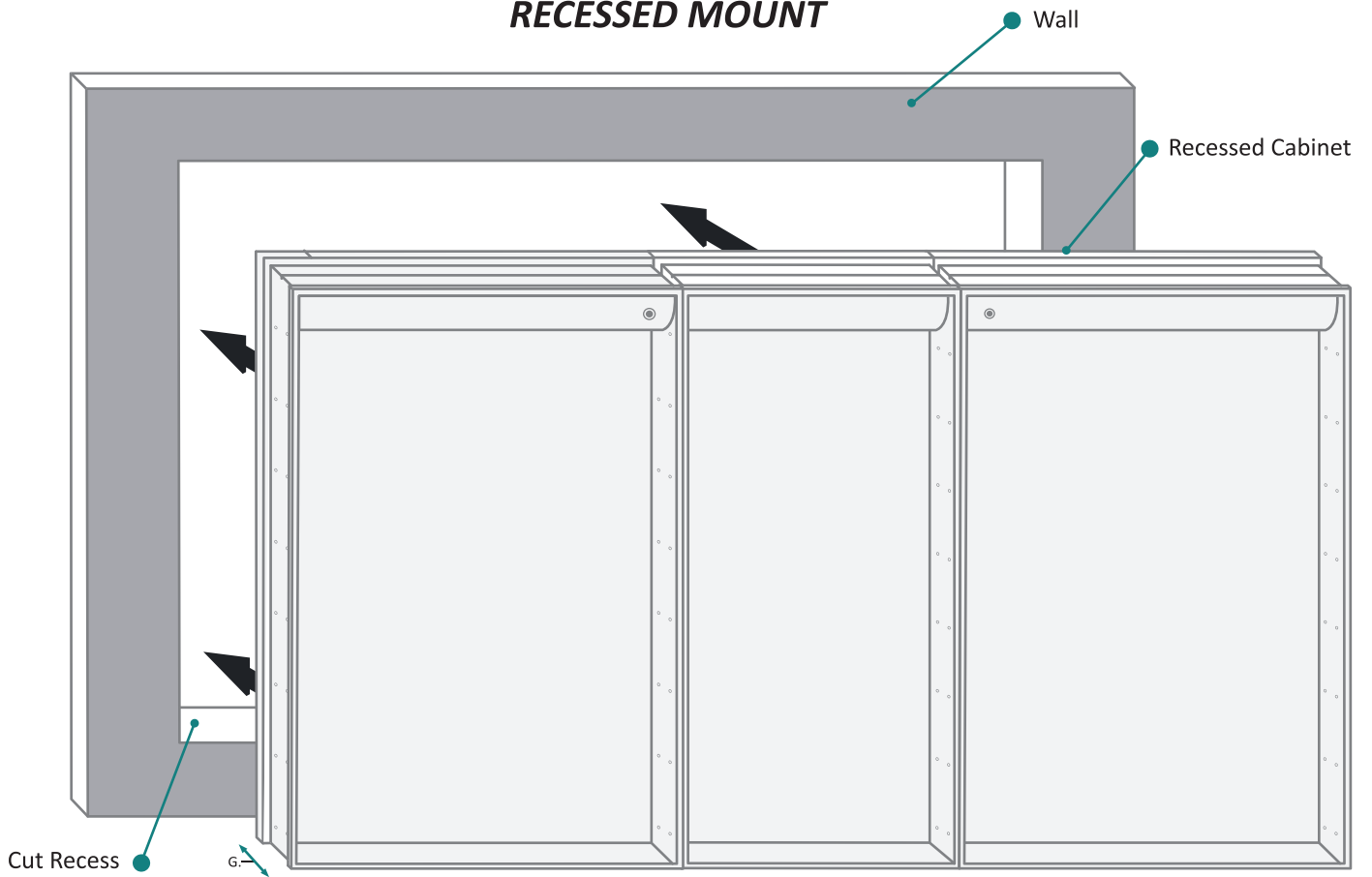
MODEL	A	B	C	D	E	F	G	H
SVANGE6636DLLR	36	66-1/4	24	12	36	66-1/4	1-1/8	12

These measurements are for reference, for best results we suggest you measure actual product as small variations in size are possible

SVANGE 6636DLLR Wall Mirror - Specification Sheet



RECESSED MOUNT

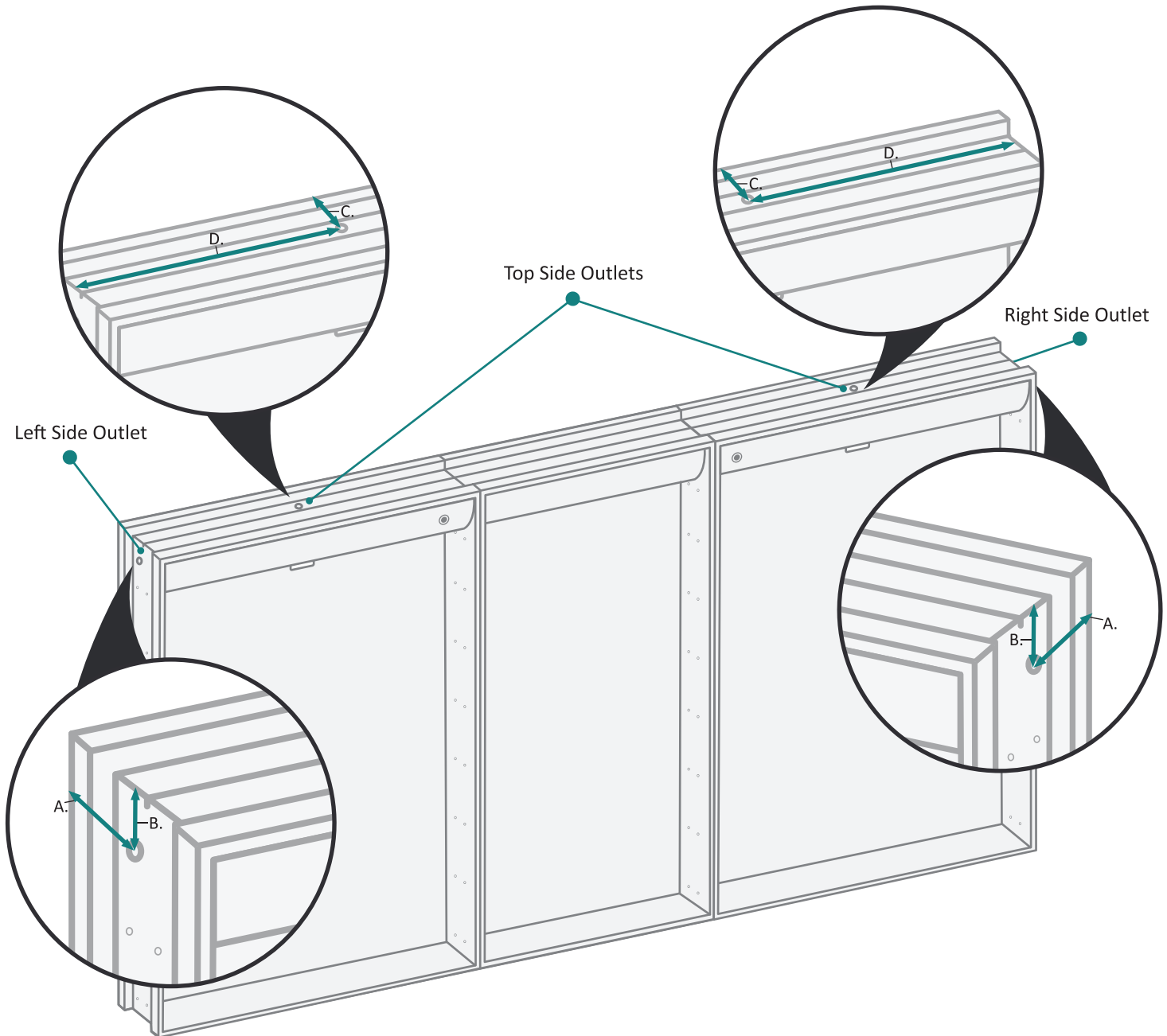


FRONT & BACK

MODEL	A	B	C	D	E	F	G
SVANGE6636DLLR	36	66-1/4	24	12	35-1/8	65-1/4	3-1/2

These measurements are for reference, for best results we suggest you measure actual product as small variations in size are possible

RECESS INSTALLATION OPTIONAL ELECTRICAL CORD LOCATIONS

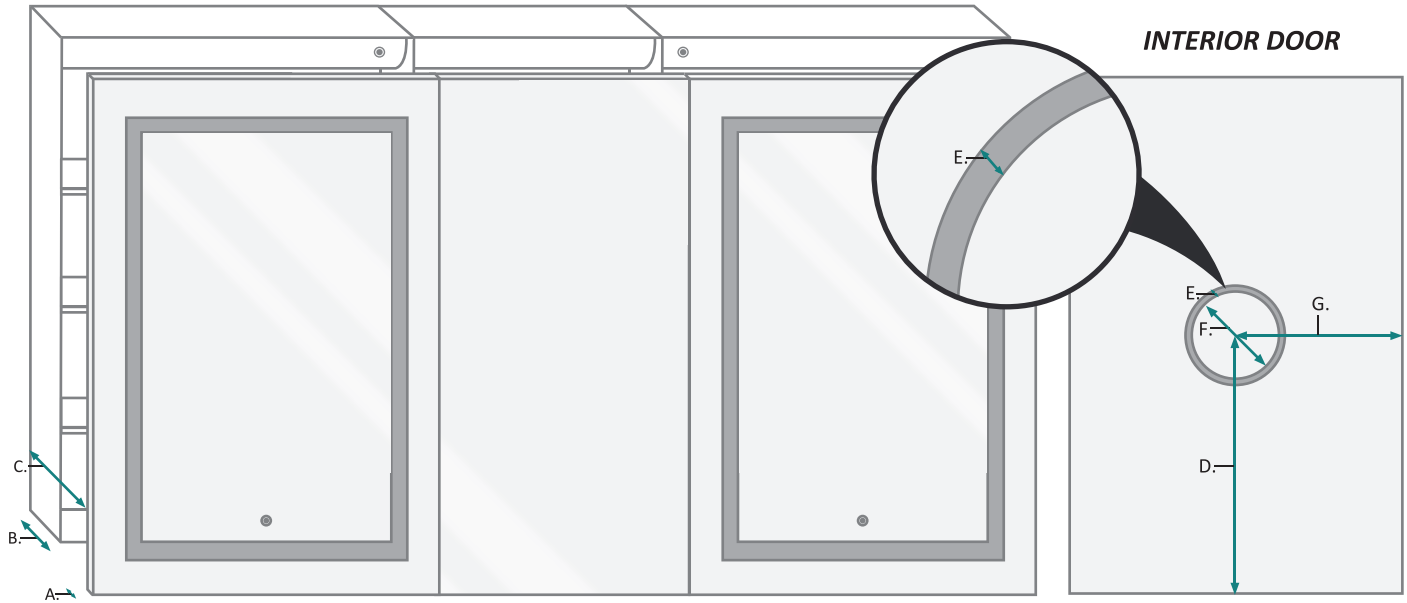


ELECTRICAL CORD LOCATIONS

MODEL	A	B	C	D
SVANGE6636DLLR	1-1/8	1-1/8	1-1-8	12

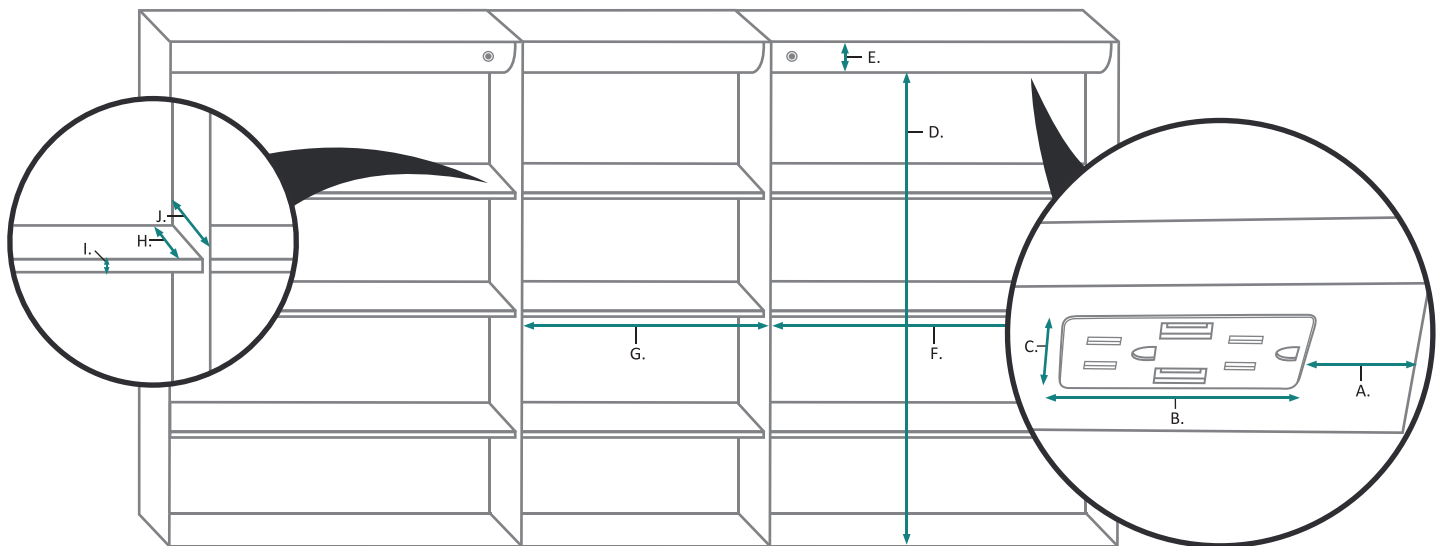
These measurements are for reference, for best results we suggest you measure actual product as small variations in size are possible

SVANGE 6636DLRR Wall Mirror - Specification Sheet



DOOR & CABINET

MODEL	A	B	C	D	E	F	G
SVANGE6636DLRR	7/8	3-1/2	5	18	3/8	5-1/4	13



INTERIOR CABINET

MODEL	A	B	C	D	E	F	G	H	I	J
SVANGE6636DLRR	3-3/4	5-5/8	1-1/4	32	2-1/4	22-1/4	16-1/4	2-3/8	3/8	3-5/8

These measurements are for reference, for best results we suggest you measure actual product as small variations in size are possible