

TUDOR 2030 Wall Mirror - Specification Sheet



Features

- Dimmable LED task lighting
- Integrated touch sensor control with memory
- Energy efficient LED lighting 6000K
- 2950 Lumens
- CRI 90+
- Integrated Defogger

Construction

- Quality polished edge mirror
- Single phase wire installation, silver backed, copper free
- Construction for surface mounting
- Includes installation hardware

Codes/Standards Applicable

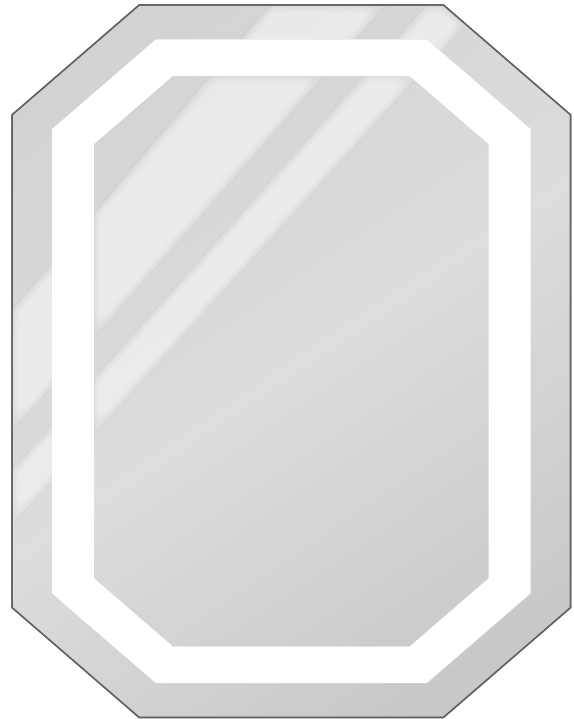
- Conforms to UL Std. 962
- Cert. to CSA Std. C22.2 No.250.0-08
- ETL Intertek 5004931

Electrical System

- 120Vac, 60Hz, 29.7W
- Electric Current: 0.27A
- Wattage: 29.7W

Model

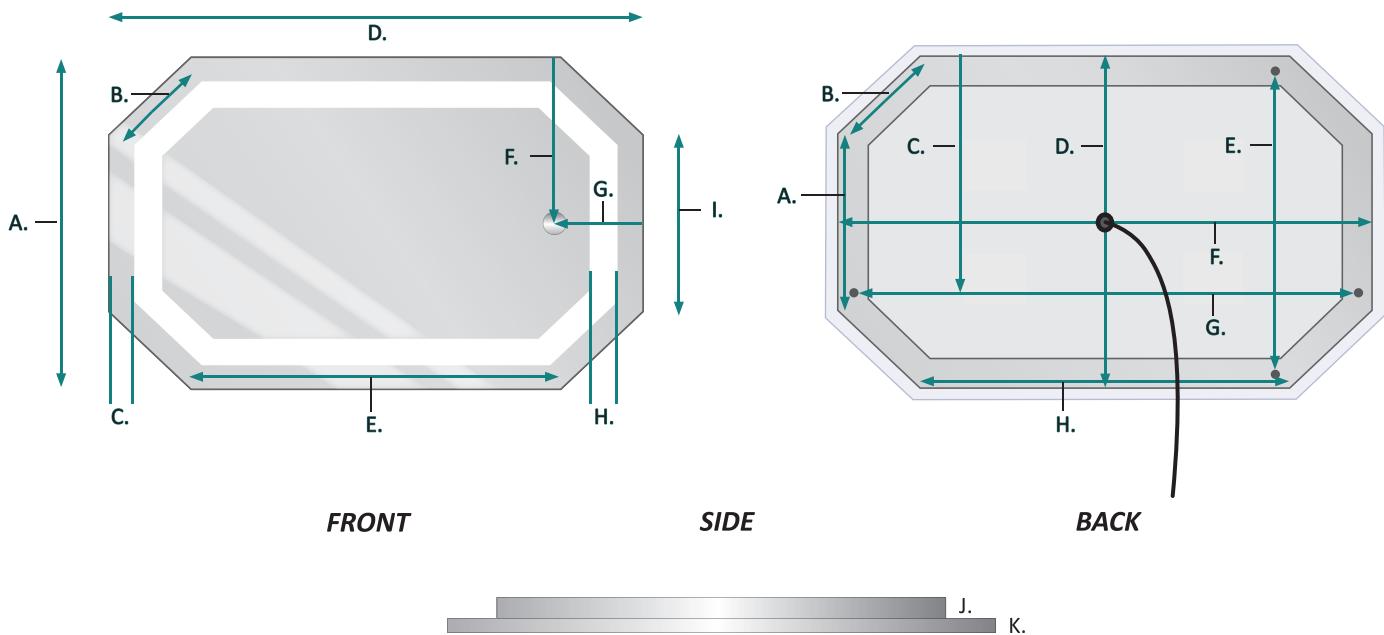
- TUDOR 2030



TUDOR 2030 Wall Mirror - Specification Sheet

Dimensions

- Height: 20"
- Width: 30"
- Depth: 1-1/2"



FRONT & SIDE

MODELS	A	B	C	D	E	F	G	H	I	J	K
TUDOR2030	20	5-1/2	1-1/2	30	22	10	5-3/4	1-1/8	12	1-1/4	1/4

BACK

MODELS	A	B	C	D	E	F	G	H
TUDOR2030	11-3/4	5	11-1/2	17-3/4	18-1/2	27-3/4	28-1/2	21

MODELS	ELECTRIC CURRENT	WATTAGES
TUDOR2030	0.27A	29.7W