

401214-LED

Specification Sheet

Pendant Lamp



CH - Chrome

Other Finishes:



BK - Black



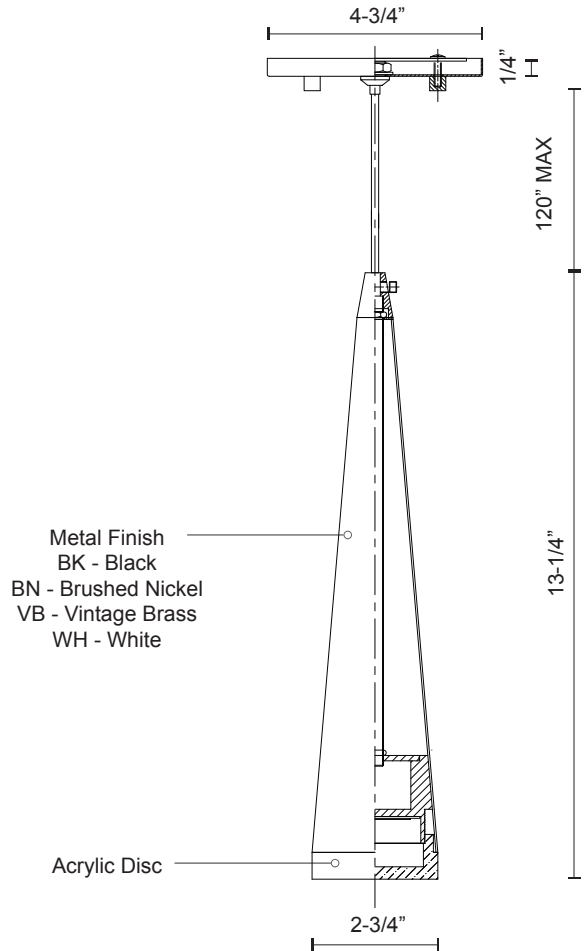
VB - Vintage Brass



WH - White

PROJECT						
DATE		TYPE				
Voltage	Watt	LED Lumens	Delivered Lumens	Finish(es)		
120V	9.5W	600lm	335lm*	VB - Vintage Brass		Color Temp 3000K
120V	9.5W	600lm	335lm*	BN - Brushed Nickel		CRI (Ra) >90
120V	9.5W	600lm	335lm*	BK - Black		Dimming 100% - 10%
120V	9.5W	600lm	335lm*	WH - White		Rated Life 50,000 hours

*Preliminary figures



Product Descriptions

Single LED pendant, sleek conical shape with clear acrylic diffuser, and adjustable wire up to 120 inches. Equipped with our powerful 120V AC LED technology, fully dimmable and is available in three different sizes 13", 25", and 37".

Product Details

- High system efficacy
- Low total life cycle cost
- No visible flicker AC operation
- ETL Listed
- 5-year LED and fixture warranty
- Complete warranty terms located at: www.kuzcolighting.com/warranty
- Utilizes our patented Driverless LED Light Engine technology - connects directly to AC, no external driver needed.
- 120" max wire length
- Available in black, brushed nickel, vintage brass, and white metal finish.
- Dimmable with ELV dimmer (not included)
- Custom options available

Fixture Weight:

Canopy dimensions:

D: 4-3/4" H: 1/4"

Comments: