

CH93834

Specification Sheet

Pendant Lamp

PROJECT		
DATE		TYPE

Voltage	Watt	LED Lumens	Delivered Lumens	Finish(es)	Color Temp	3000K
120V	94W	8090lm	5246lm*	AS - Antique Silver	CRI (Ra)	>90
120V	94W	8090lm	5246lm*	AN - Antique Brass	Dimming	100% - 10%
120V	94W	8090lm	5246lm*	BK - Black	Rated Life	50,000 hours

*Preliminary figures



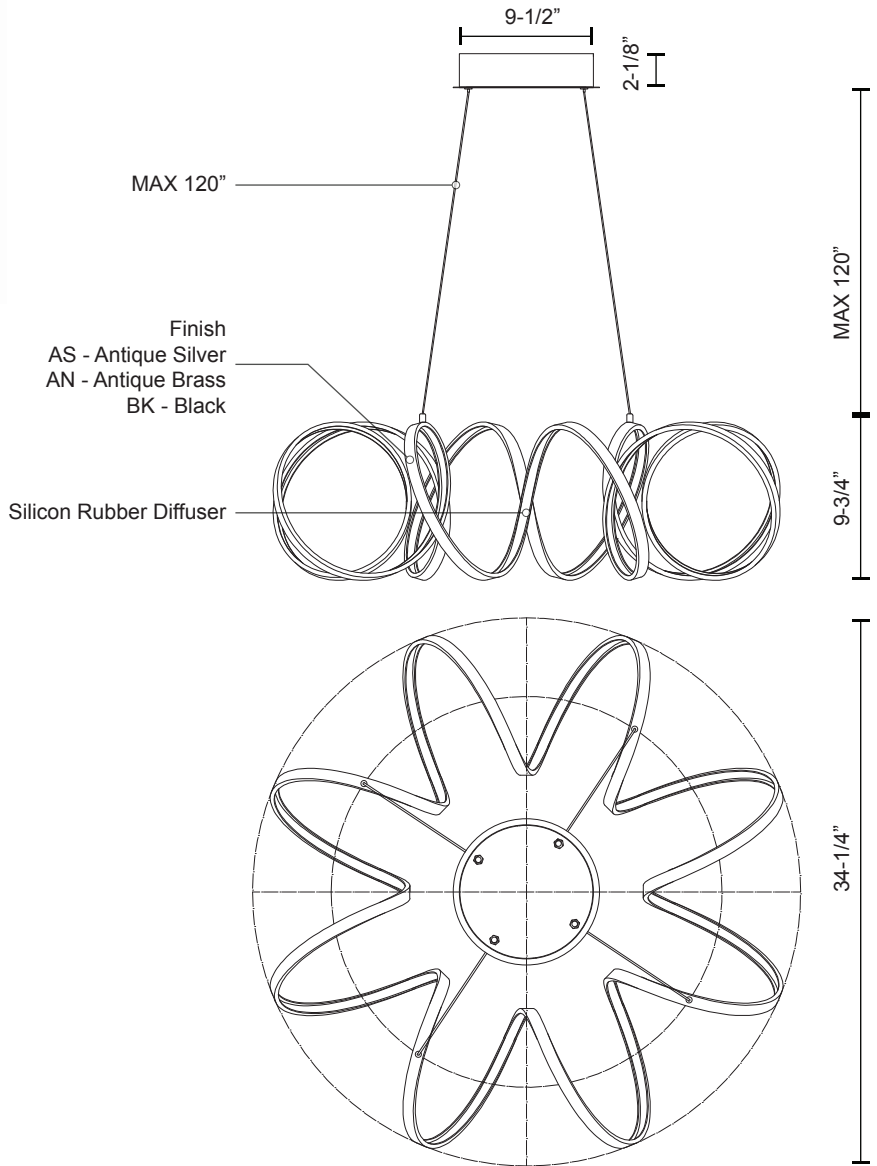
BK - Black



AS - Antique Silver



AN - Antique Brass



Product Descriptions

A pendant lamp with extruded and rolled rectangular aluminum helix ring. Flexible silicon rubber diffuser.

Product Details

High system efficacy. Low total life cycle cost. ETL Listed.

5-years fixture warranty.

Complete warranty terms located at:

www.kuzcolighting.com/warranty

Utilizes our LED Driver Light Engine

LED Driver within canopy.

Available in metallic & matte

powder-coat metal details.

Max. cable length of 120"

Up & down light distribution.

Dimmable with TRIAC dimmer (not included)

Custom options available.

Fixture Weight:
8.2lb

Canopy Dimensions:
D: 9-1/2", H: 2-1/8"

Comments:

KUZCO

20181031

19054 28th Avenue
Surrey, BC, Canada
V3Z 6M3

T: 604 538 7162
F: 604 538 7196
W: Kuzcolighting.com

