

PD61412

Specification Sheet

Pendant Lamp



VB - Vintage brass

Other Finishes:



BN - Brushed Nickel



BK - Black

Product Descriptions

Geometric lines and organic curves comes together as the metal frame is embraced by the glass shade's cool contours. In a kinetic illusion, the light source appears to float from within.

Product Details

High system efficacy
 Low total life cycle cost
 No visible flicker AC operation
 ETL Listed

5-year LED and fixture warranty

Complete warranty terms located at:

www.kuzcolighting.com/warranty

Utilizes our patented Driverless LED Light Engine technology - connects directly to AC, no external driver needed.

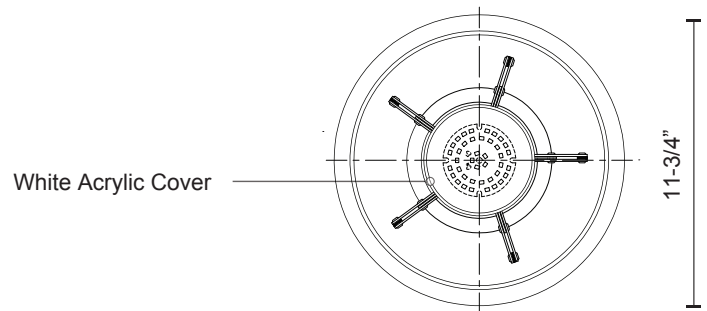
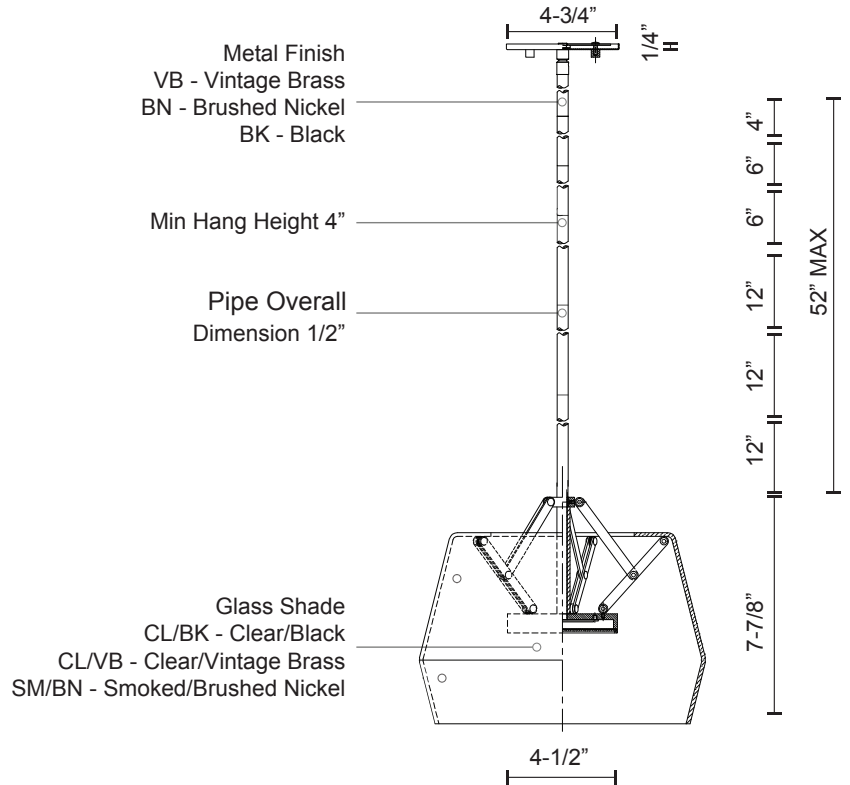
Available in vintage brass, brushed nickel, and black metal finish. Custom clear glass shade for VB and BK. Smoked glass for BN. Min hang height 4". White acrylic cover.

Dimmable with ELV dimmer (not included)

Custom options available

PROJECT					
DATE				TYPE	
Voltage	Watt	LED Lumens	Delivered Lumens	Finish(es)	Color Temp 3000K
120V	14.5W	1200lm	744lm	VB - Vintage Brass	CRI (Ra) >90
120V	14.5W	1200lm	744lm	BN - Brushed Nickel	Dimming 100% - 10%
120V	14.5W	1200lm	744lm	BK - Black	Rated Life 50,000 hours

*Preliminary figures



Fixture Weight:

Canopy dimensions:

D: 4-3/4" H: 1/4"

Comments:

KUZCO
 LIGHTING

20170710

19054 28th Avenue
 Surrey, BC, Canada
 V3Z 6M3

T: 604 538 7162
 F: 604 538 7196
 W: Kuzcolighting.com

