

PD61418

Specification Sheet

Pendant Lamp



VB - Vintage brass

Other Finishes:



BN - Brushed Nickel

BK - Black

Product Descriptions

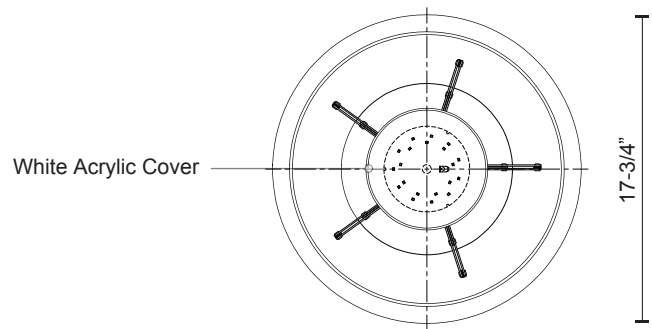
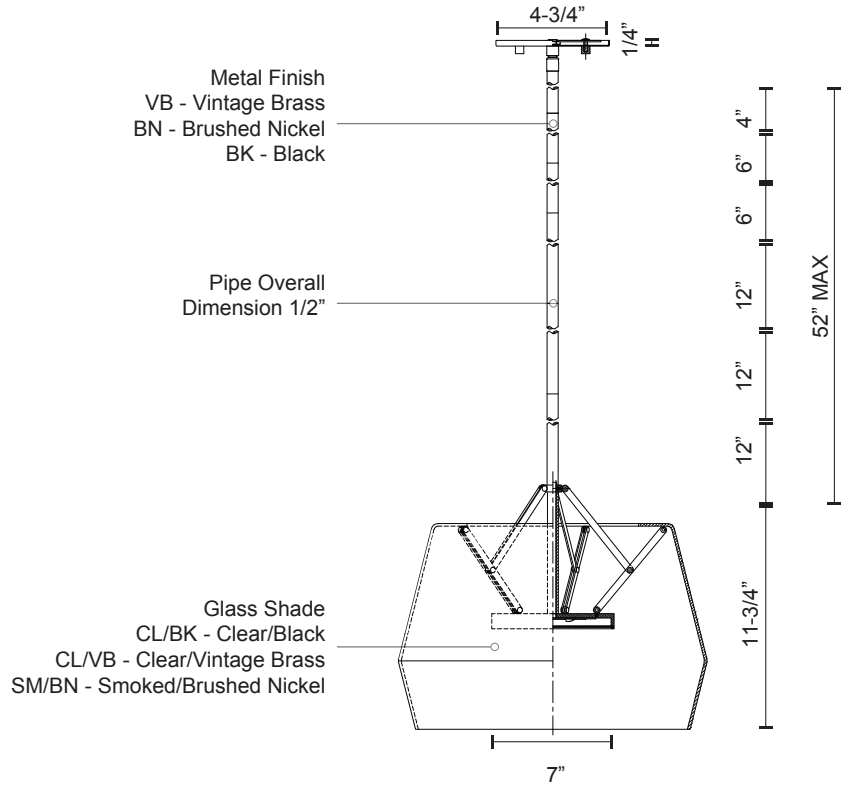
Geometric lines and organic curves comes together as the metal frame is embraced by the glass shade's cool contours. In a kinetic illusion, the light source appears to float from within.

Product Details

- High system efficacy
- Low total life cycle cost
- No visible flicker AC operation
- ETL Listed
- 5-year LED and fixture warranty
- Complete warranty terms located at: www.kuzcolighting.com/warranty
- Utilizes our patented Driverless LED Light Engine technology - connects directly to AC, no external driver needed.
- Available in vintage brass, brushed nickel, and black metal finish. Custom clear glass shade for VB and BK. Smoked glass for BN. Min hang height 4".
- White acrylic cover.
- Dimmable with ELV dimmer (not included)
- Custom options available

PROJECT					
DATE		TYPE			
Voltage	Watt	LED Lumens	Delivered Lumens	Finish(es)	
120V	29W	2500lm	1550lm*	VB - Vintage Brass	Color Temp 3000K
120V	29W	2500lm	1550lm*	BN - Brushed Nickel	CRI (Ra) >90
120V	29W	2500lm	1550lm*	BK - Black	Dimming 100% - 10%
					Rated Life 50,000 hours

*Preliminary figures



Fixture Weight:

Canopy dimensions:

D: 4-3/4" H: 1/4"

Comments: