

# PD80712

Specification Sheet

## Pendant Lamp



### Product Descriptions

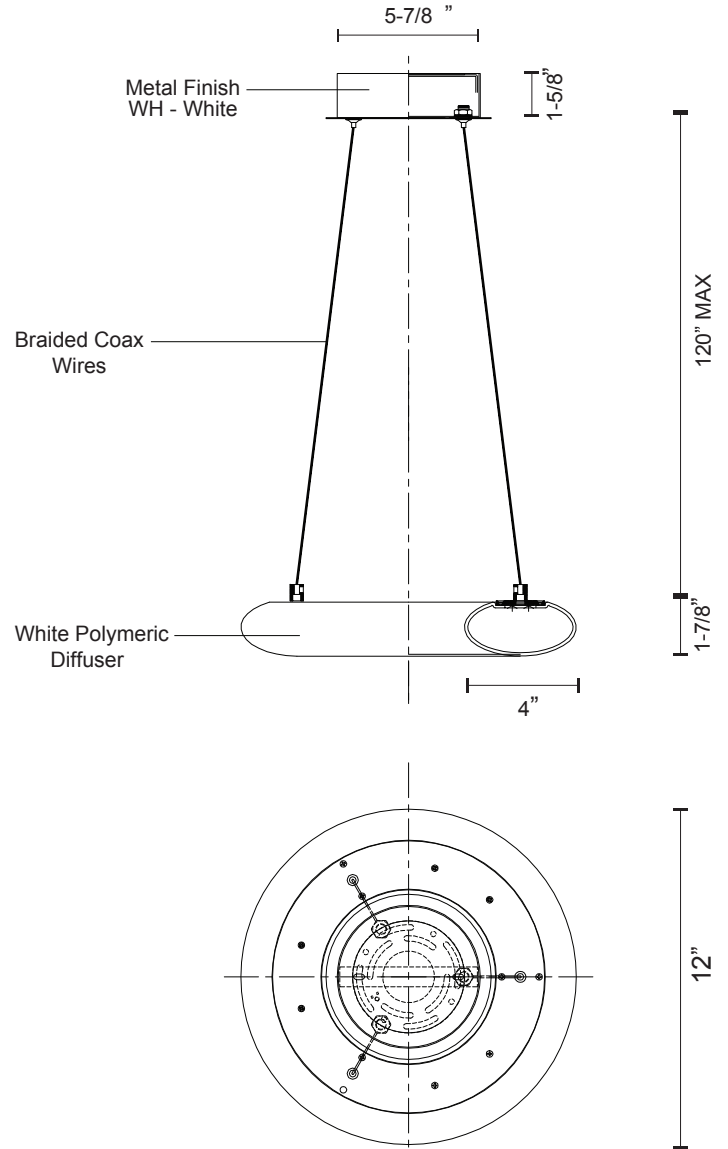
A radiant torus of bright, even illumination. Available in a variety of sizes and as either a pendant or flush mount, these halos of light adapt to any setting. Eternal and substantial.

### Product Details

High system efficacy  
 Low total life cycle cost  
 ETL Listed  
 5 Year fixture and LED warranty  
 Complete warranty terms located at:  
[www.kuzcolighting.com/warranty](http://www.kuzcolighting.com/warranty)  
 DC Driver in canopy  
 Available in white metal finish with a white polymeric diffuser. 120" Max wire length.  
 Braided coax wires.  
 Dimmable with Triac Dimmer (not included)  
 Custom options available

PROJECT					V 1.0
DATE			TYPE		
Voltage	Watts	LED Lumens	Delivered Lumens	Finish(es)	Color Temp 3000K CRI (Ra) >90 Dimming 100% - 10% Rated Life 50,000 hours
120V	20W	2000lm	1200lm	WH - White	
DC LED DRIVER INFO		Watt	Voltage	Current	
		22W MAX	30-40V	550 mA	

\*Preliminary figures



Fixture Weight: 2.2lb

Canopy dimensions:  
 D: 5-7/8" H:1-5/8"

Comments: