

PD80736

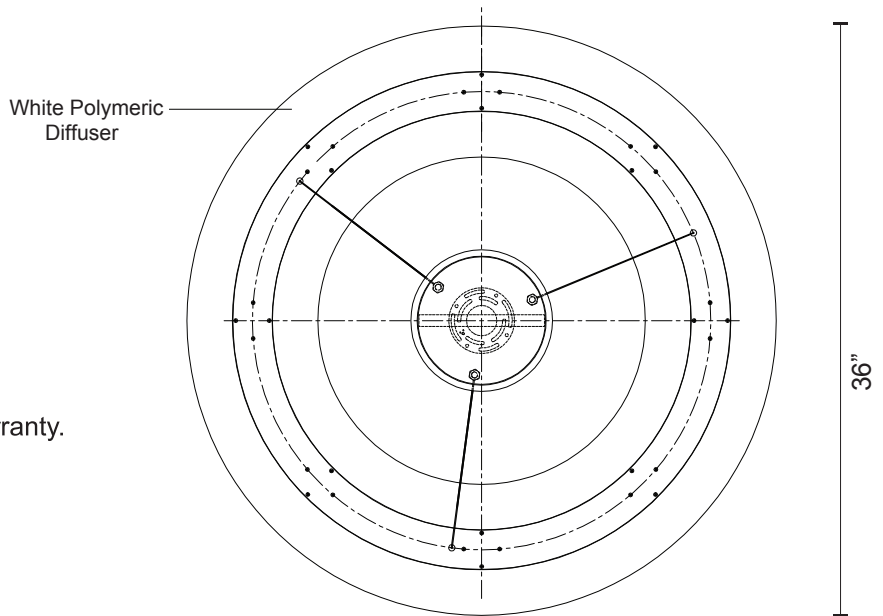
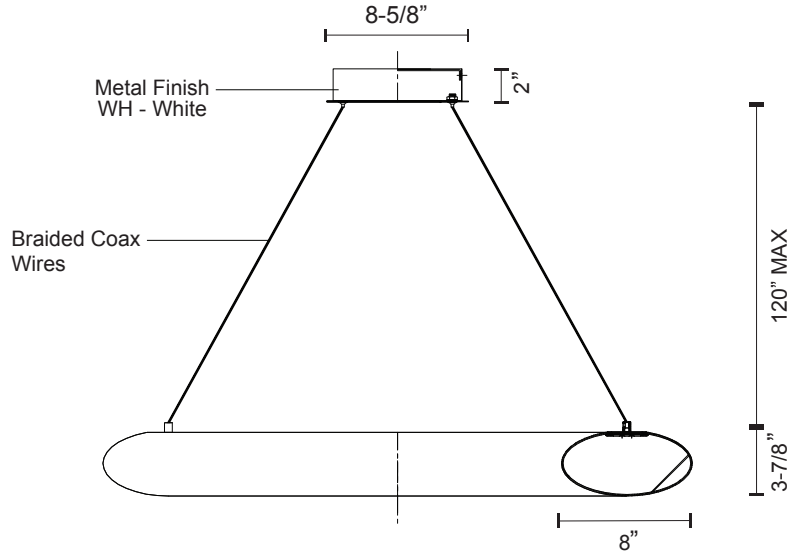
Specification Sheet

Pendant Lamp



| PROJECT | | | | | V 1.0 |
|---------------------------|--------------|-------------------|-------------------------|-------------------|---|
| DATE | | | TYPE | | |
| Voltage | Watts | LED Lumens | Delivered Lumens | Finish(es) | Color Temp 3000K CRI (Ra) >90 Dimming 100% - 10% Rated Life 50,000 hours |
| 120V | 94W* | 9400lm* | 6900lm* | WH - White | |
| DC LED DRIVER INFO | | Watt | Voltage | Current | |
| | | 107W MAX | 30-40V | 2600 mA | |

*Preliminary figures



Product Descriptions

A radiant torus of bright, even illumination. Available in a variety of sizes and as either a pendant or flush mount, these halos of light adapt to any setting. Eternal and substantial.

Product Details

High system efficacy
 Low total life cycle cost
 ETL Listed
 1-year fixture warranty and 5-year LED board warranty.
 Complete warranty terms located at:
www.kuzcolighting.com/warranty
 DC Driver in canopy
 Available in white metal finish with a white polymeric diffuser. 120" Max wire length.
 Braided coax wires.
 Dimmable with Triac Dimmer (not included)
 Custom options available

Fixture Weight: 11lb

Canopy dimensions:
 D: 8-5/8" H:2"

Comments: