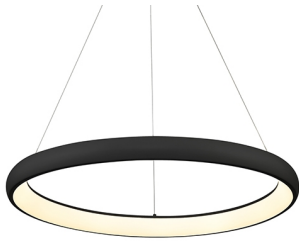


CORTANA
PD82732
PENDANTS

PROJECT



PD82732-BK
 Black



PD82732-WH
 White

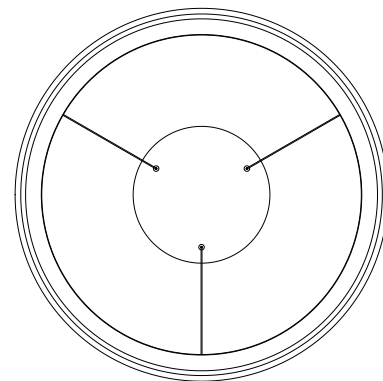
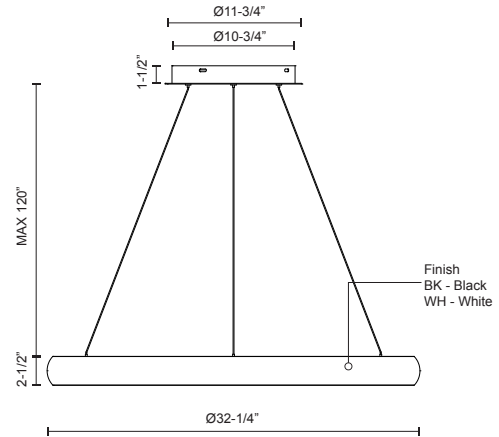
SPECIFICATION DETAILS

* For custom options, consult factory for details.

Fixture Dimensions	D32-1/4" x H2-1/2"
Light Source	LED
Wattage	60W
Total Lumens	4800lm
Delivered Lumens	BK-2280lm; WH-3060lm;
Voltage	120V
Color Temperature	3000K
CRI (Ra)	>90
Optional Color Temps	2700K - 5000K Available, Minimum Order Quantities Apply
LED Rated Life	50,000 hours
Dimming	100% - 10%, TRIAC or ELV Dimmer (Not Included)
Diffuser Details	White Acrylic Diffuser
Adjustable	Yes
Wire Length	120" Max
Wire Type	Clear Coaxial Wire
Location	Dry
Warranty	5 Years
Canopy Dimensions	D11-3/4" x H1-1/2"

DESCRIPTION

A curved band of powder-coated aluminum arcs around a central void forming and encapsulating an illuminated ring. Held within the perimeter structure of the CORTANA pendant is a circumferential LED light array spreading uniform radiance via the polymeric diffuser loop. Available in multiple sizes.



COMMENT

KUZCO

19054 28TH AVENUE
 SURREY - BC V3Z 6M3
 CANADA

WWW.KUZCOLIGHTING.COM

