

# MILANO WS9809

WALL

PROJECT



WS9809-BN  
Brushed Nickel



WS9809-CH  
Chrome



WS9809-VB  
Vintage Brass

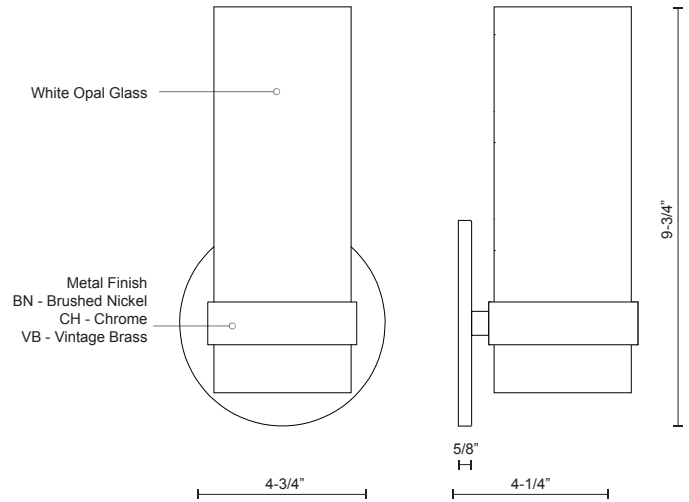
## SPECIFICATION DETAILS

\* For custom options, consult factory for details.

<b>Fixture Dimensions</b>	W4-3/4" x H9-3/4" x E4-1/4"
<b>Light Source</b>	LED
<b>Wattage</b>	8W
<b>Total Lumens</b>	600lm
<b>Delivered Lumens</b>	BN-390lm; CH-371lm;
<b>Voltage</b>	120V
<b>Color Temperature</b>	3000K
<b>CRI (Ra)</b>	>90
<b>Optional Color Temps</b>	2700K - 5000K Available, Minimum Order Quantities Apply
<b>LED Rated Life</b>	50,000 hours
<b>Dimming</b>	100% - 10%, ELV Dimmer (Not Included)
<b>Glass Details</b>	White Opal Glass
<b>Location</b>	Dry
<b>Warranty</b>	5 Years
<b>Canopy Dimensions</b>	D4-3/4" x E5/8"

## DESCRIPTION

A sleek cylinder 9 inches long conceals the LED light source allowing for an even light distribution, like a scroll of paper that glows with mystery inside. There are no hotspots in this wall sconce, only an ambient glow. The opal glass is attached by a ring of brushed nickel, chrome, or vintage brass scroll and affixed to the wall by a matching circular metal disk.



# KUZCO

19054 28TH AVENUE  
SURREY - BC V3Z 6M3  
CANADA

WWW.KUZCOLIGHTING.COM

COMMENT