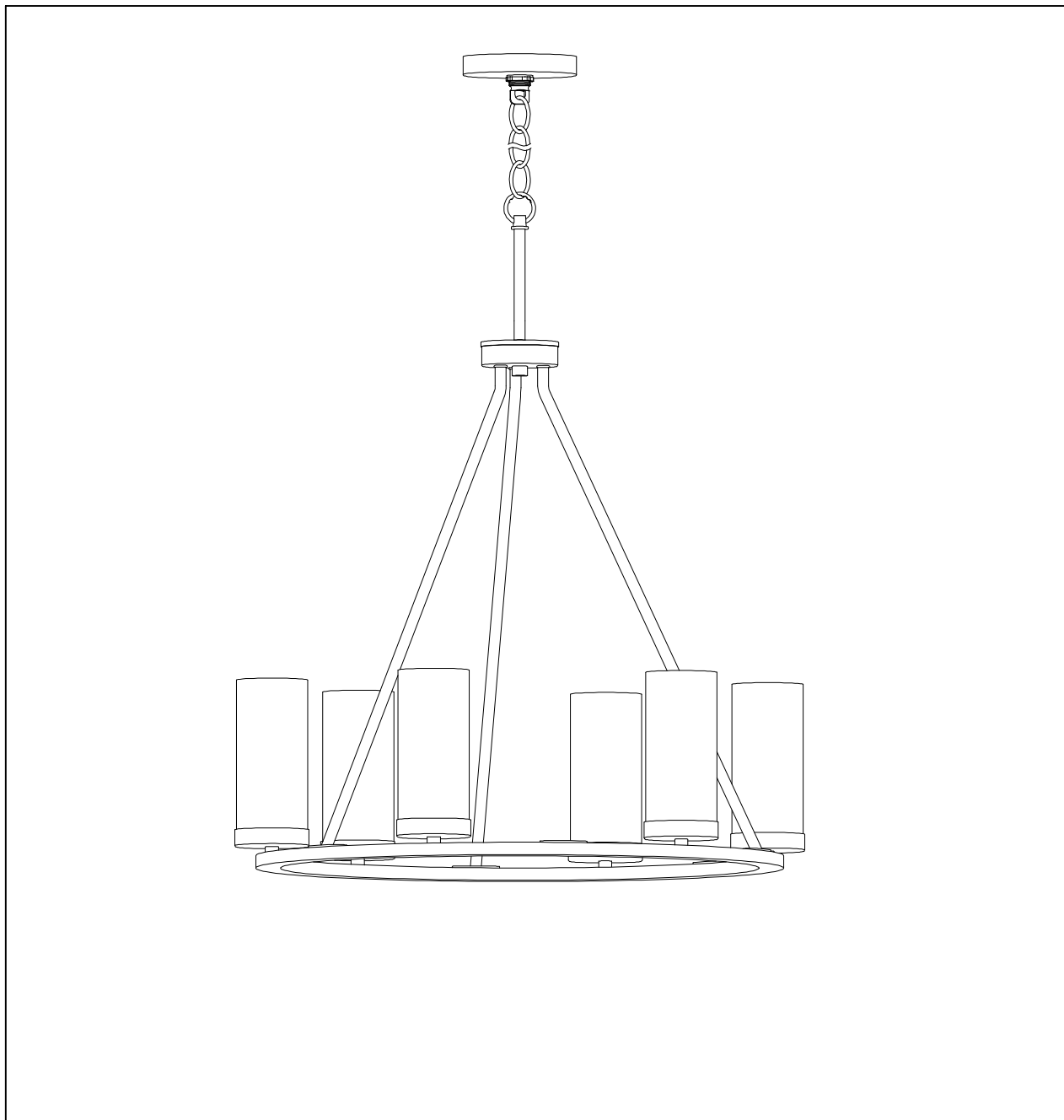


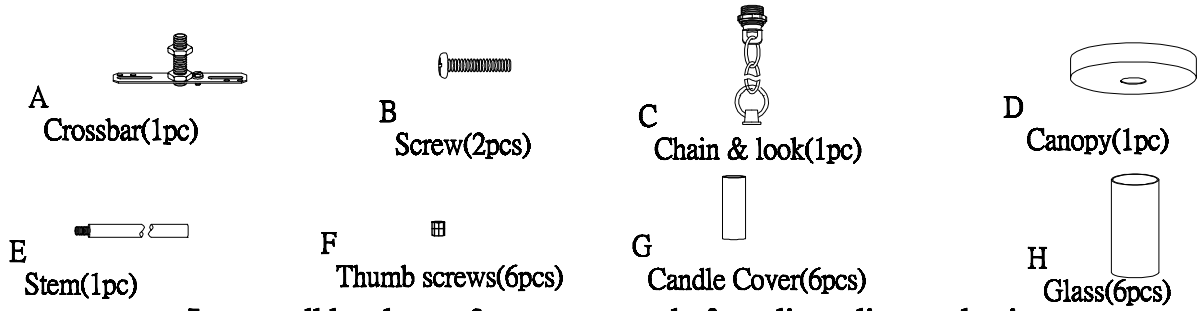
PRODUCT NAME: Sentinel 6-Light Chandelier
ITEM NUMBER: 25255

Please consult your electrician for hanging fixture and wiring.

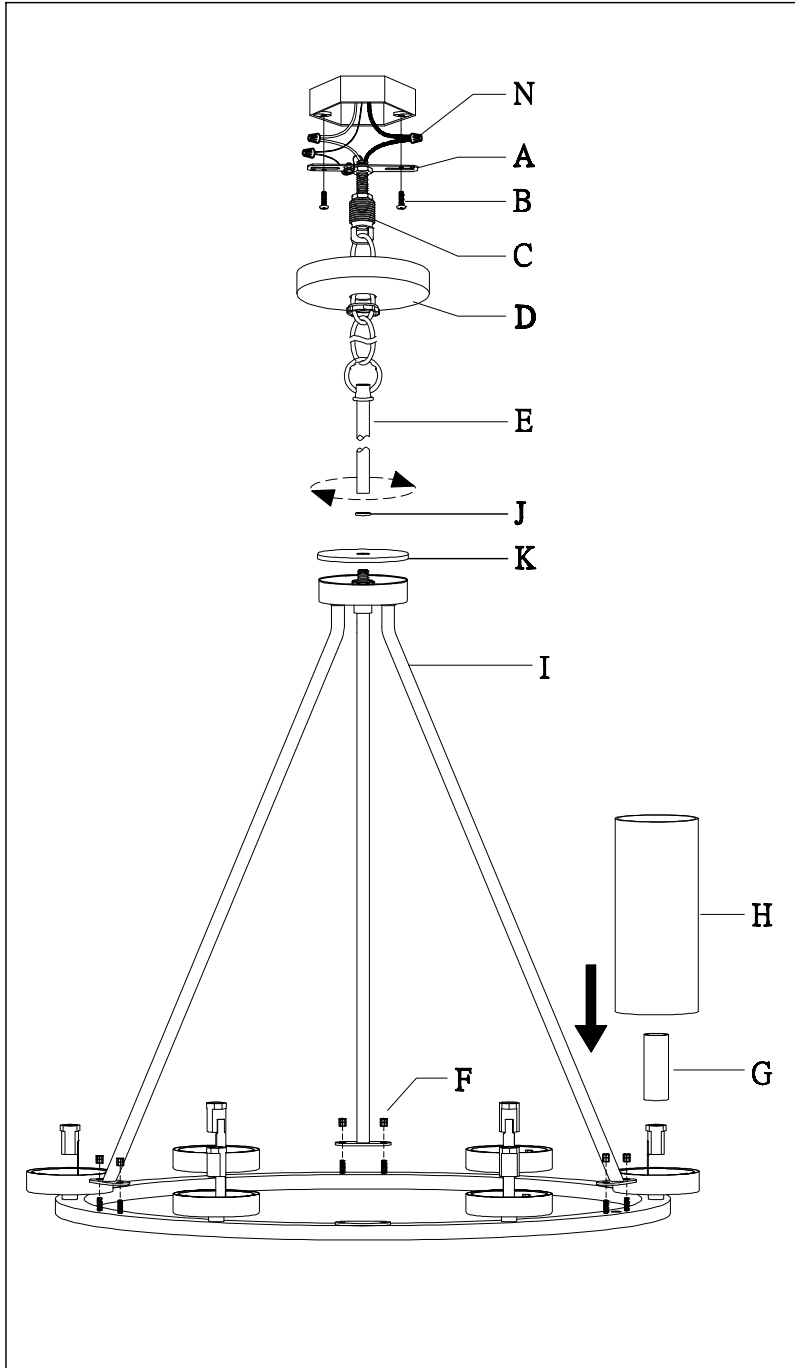


Bulb(not included): 6-60 Watt Candelabra Base Bulbs

IMPORTANT: Turn off the power at the main fuse or circuit breaker box before starting installation

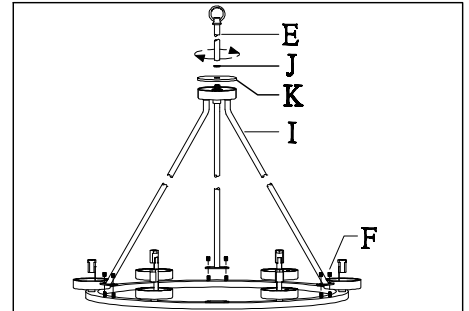


Locate all hardware & components before discarding packaging



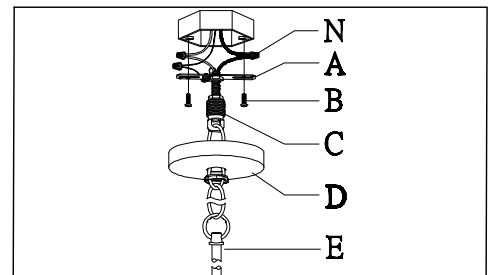
Cleaning & Care:

Clean with soft cloth and a mild detergent.
Do not use abrasive cleaner.



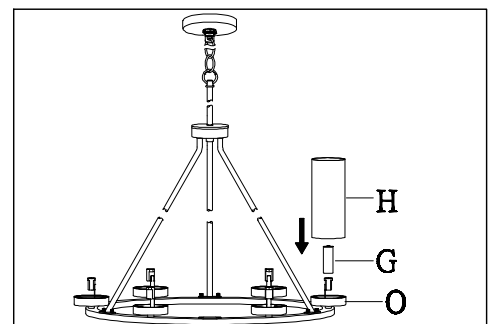
1.)

Step 1: Assemble the fixture by attaching arms (I) to the ring. At three points the arms can be locked down to screws and secured with knurled thumb screws (F) provided. As you tighten down the arm with electrical wire, note that wire must be pulled through the collector (K). Attach coupler (J) and stem (E) to secure the assembly.



2.)

Step 2: Remove mounting bracket (A) from fixture and install to electrical box. Attach appropriate amount of chain to loop to achieve desired mounting height. Thread wire through every 3rd loop of chain. Remove ring from loop and slide down chain. Place canopy (D) onto chain and let slide to top of fixture. Wire fixture to wires in outlet box. Copper wire is for Ground. Pull canopy through screw ring up chain to ceiling and tighten securely.



3.)

Step 3: Attach the candle cover (G) over the socket and press glass onto the cup (O) to secure.