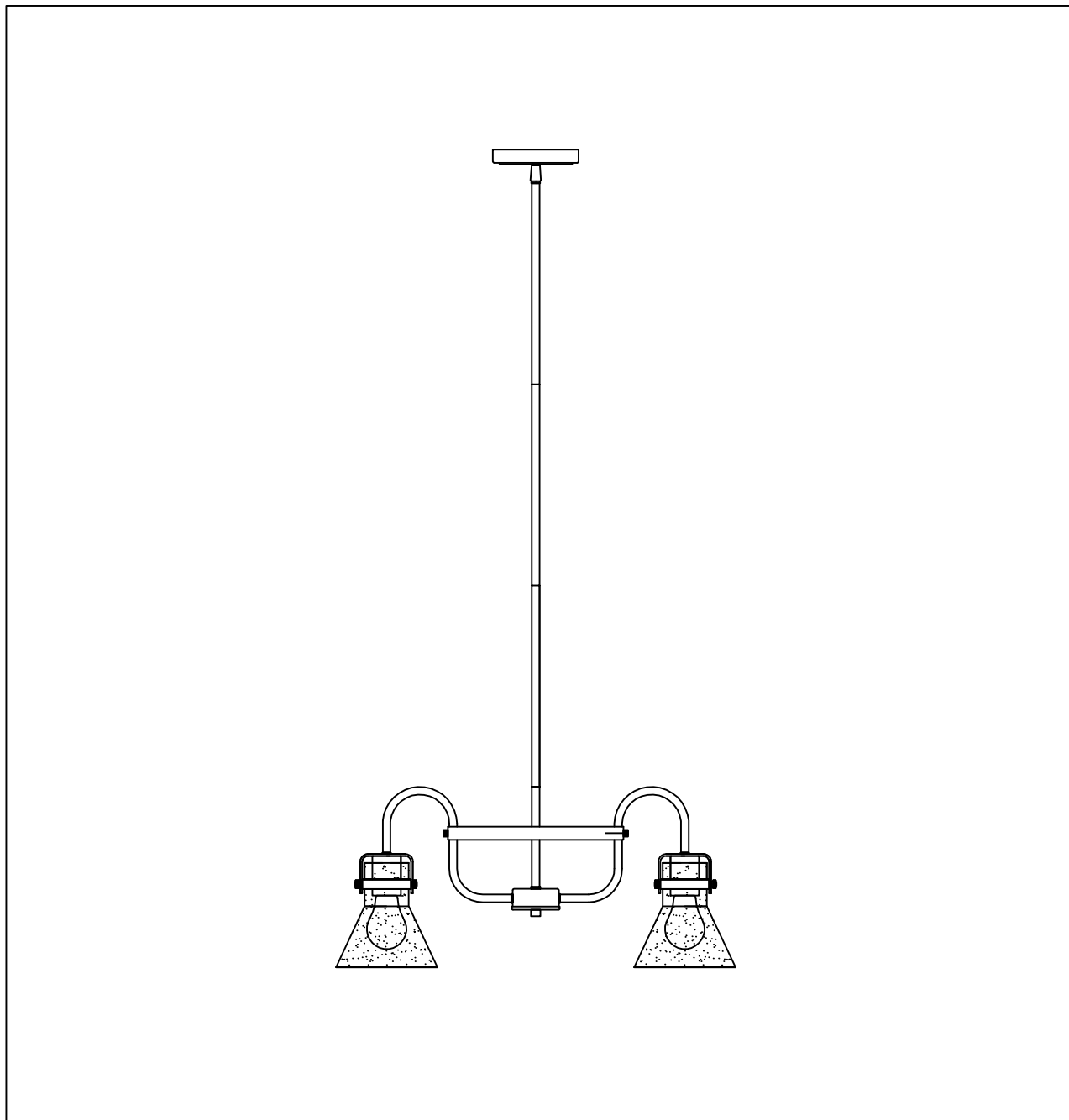




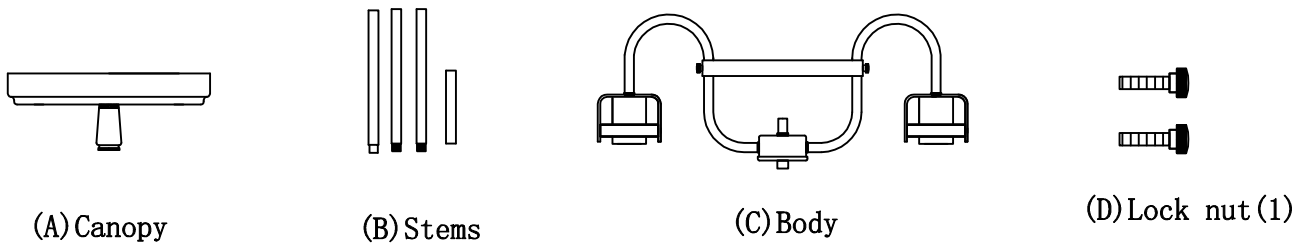
PRODUCT NAME: Seafarer 5LT Chandelier
NUMBER: 26117

Please consult your electrician for Hang fixture and wiring.

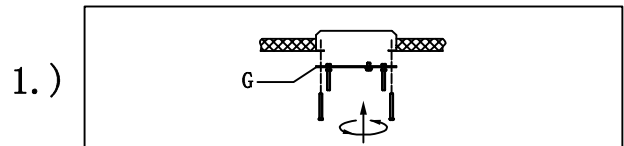
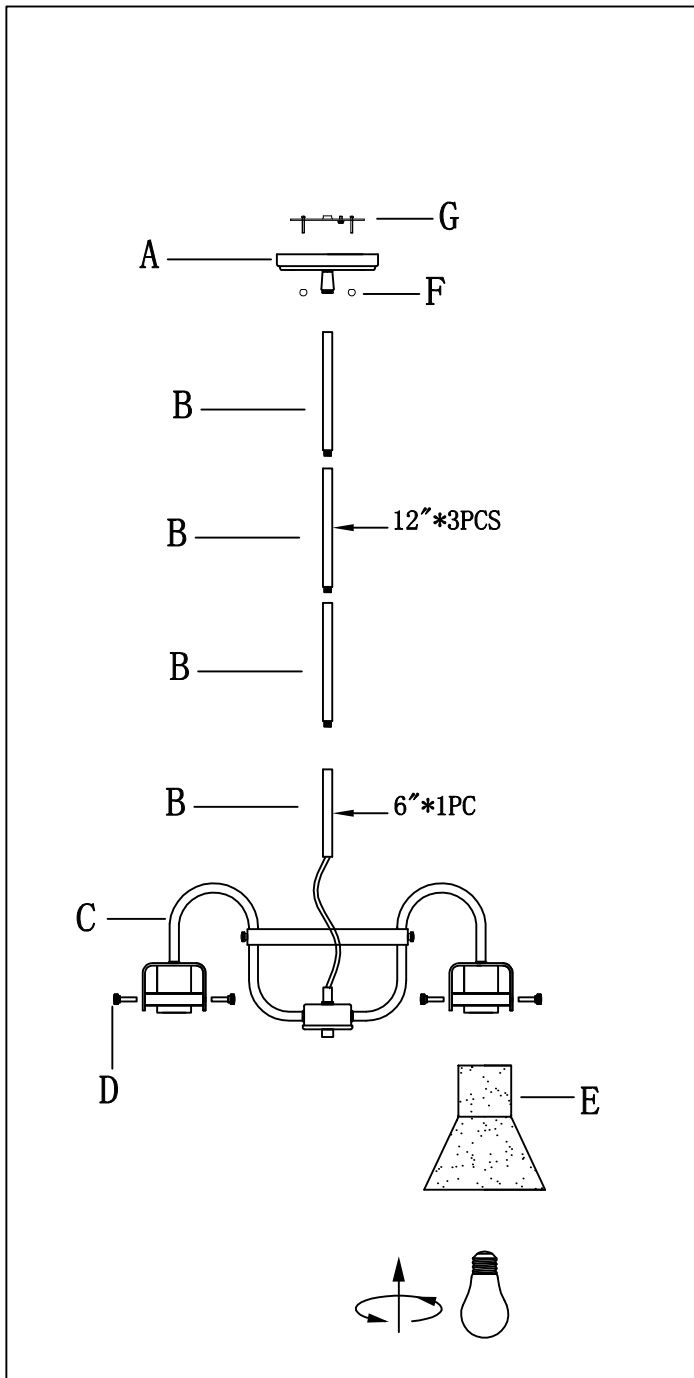


Bulbs (Not included) : 5*MB 60W

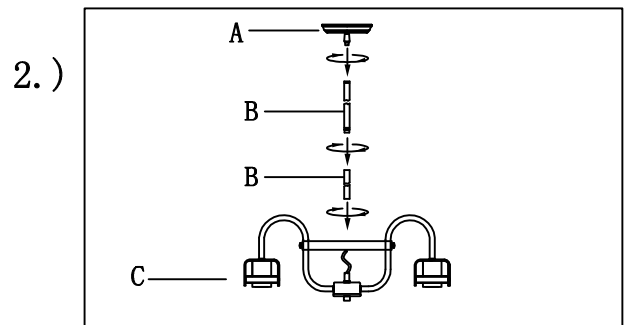
IMPORTANT: Turn off power at the main fuse or circuit breaker box before starting installation



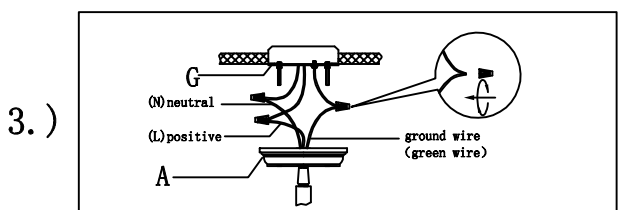
Locate all hardware & components before discarding packaging



Step. 1: Remove mounting bracket (G) from fixture and install to electrical box.



Step. 2: Run wire through stems (B) and combine stem lengths to meet desired mounting height.

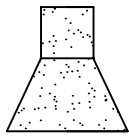


Step. 3: Wire fixture to wires in outlet box. Copper/Green wire is for Ground.

Cleaning & Care:

Clean with soft cloth and a mild detergent.
 Do not use abrasive cleaner.

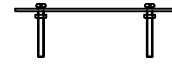
IMPORTANT: Turn off power at the main fuse or circuit breaker box before starting installation



(E) Glass

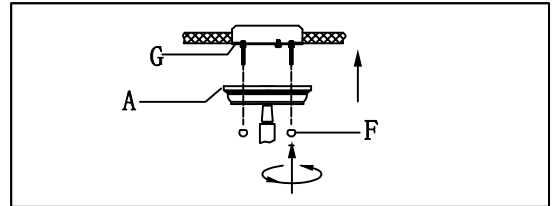
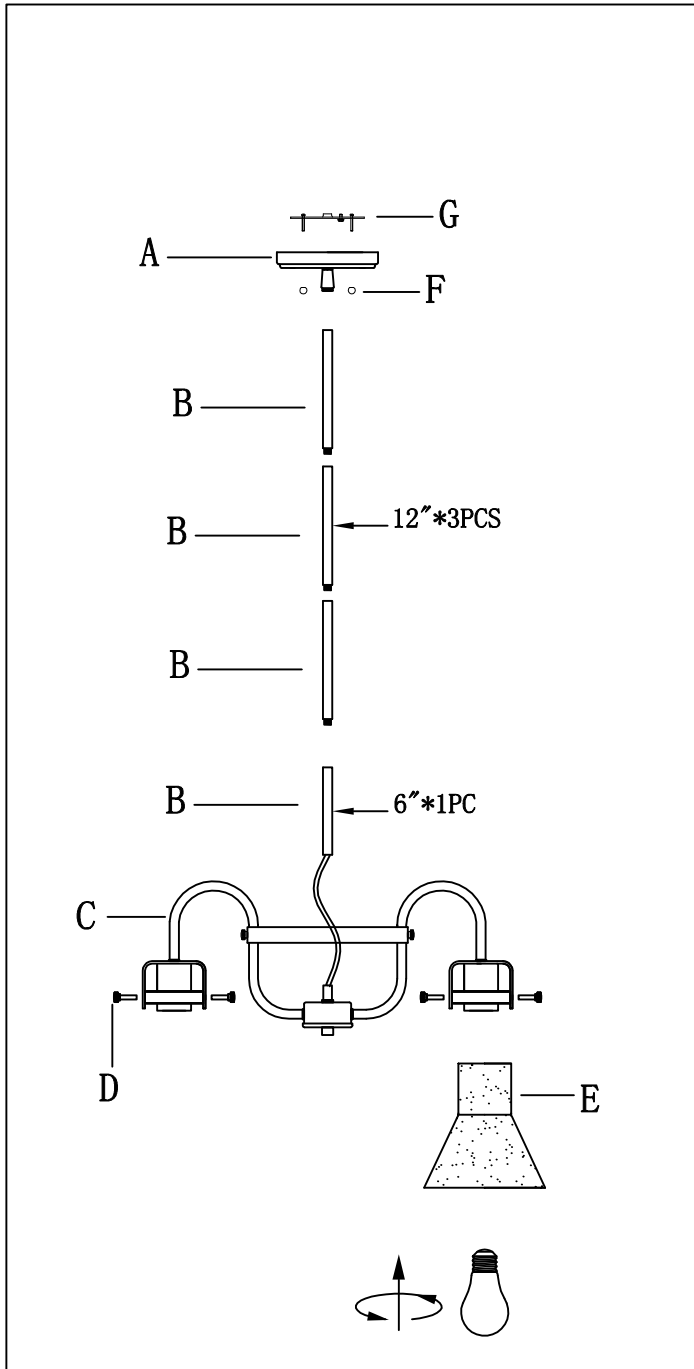


(F) Ball nut

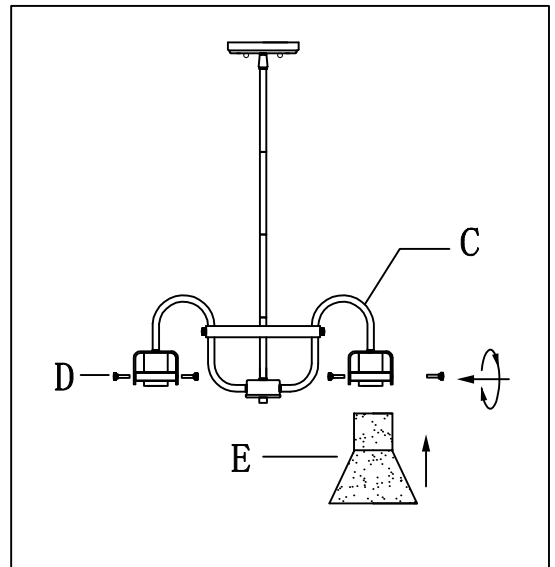


(G) Bracket

Locate all hardware & components before discarding packaging



Step. 4: Install fixture to bracket and tighten ball nuts (F) on the canopy to secure.



Step. 5: Place the glass shade on the lamp body (C) and lock screw (D), then install the bulb.

Cleaning & Care:

Clean with soft cloth and a mild detergent.
Do not use abrasive cleaner.