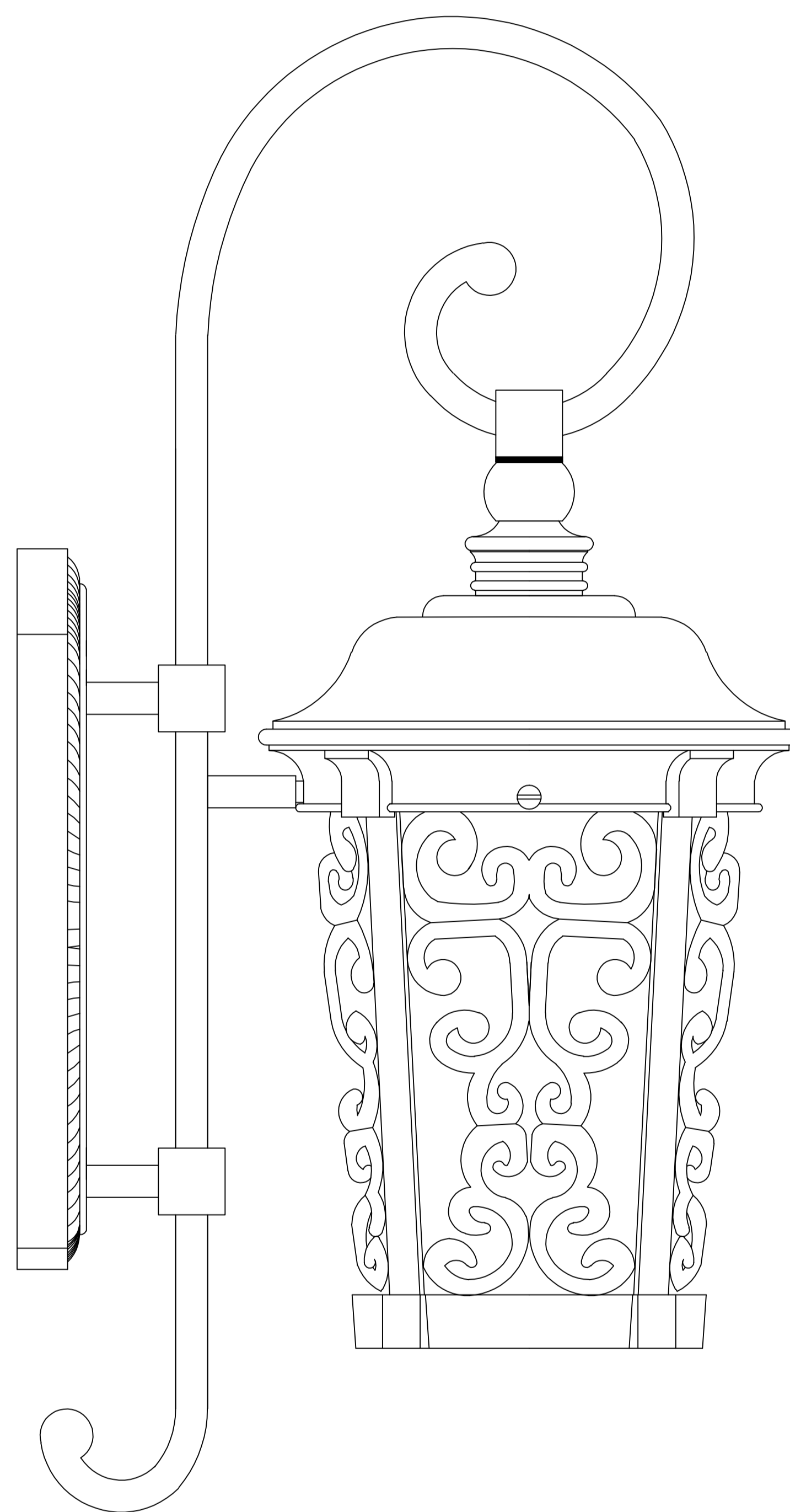




PRODUCT NAME: Whisper Dark Sky
ITEM NUMBER: 55393

Please consult your electrician for hanging fixture and wiring.



To prevent water intrusion, caulk around back-plate where fixture meets the wall using outdoor silicone sealant

This fixture is designed to dim with an Electronic Low Voltage dimmer. Dimming levels will vary by dimmer. Below is a list of Recommended Dimmers:

- Lutron DVELV-330P
- Lutron SAELV-153P
- Leviton 6674-POW
- Legrand DRD4
- Legrand RH703PTU

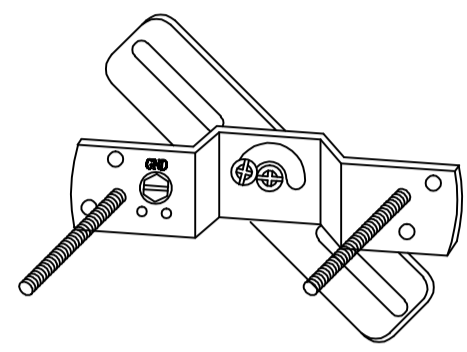
Due to inrush current, wattage should not exceed 150 Watts of product for a 600 Watt dimmer.

6W LED

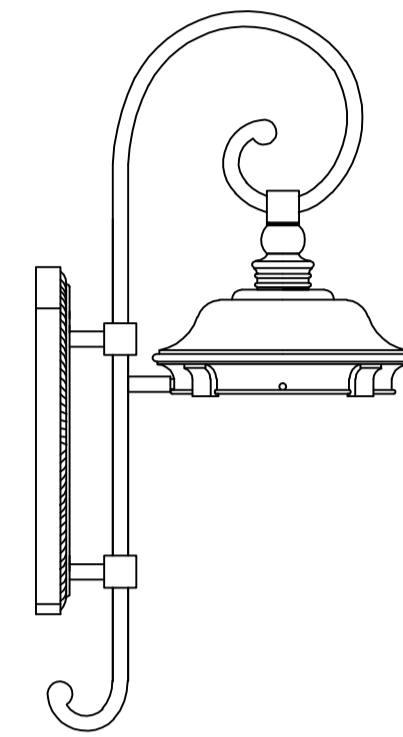
MADE IN CHINA

PRODUCT NAME: Whisper Dark Sky
ITEM NUMBER: 55393

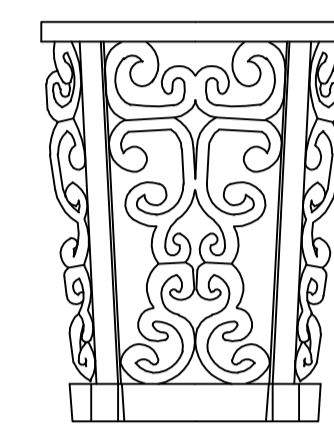
IMPORTANT: Turn off the power at the main fuse or circuit breaker box before starting installation.



Bracket (A)

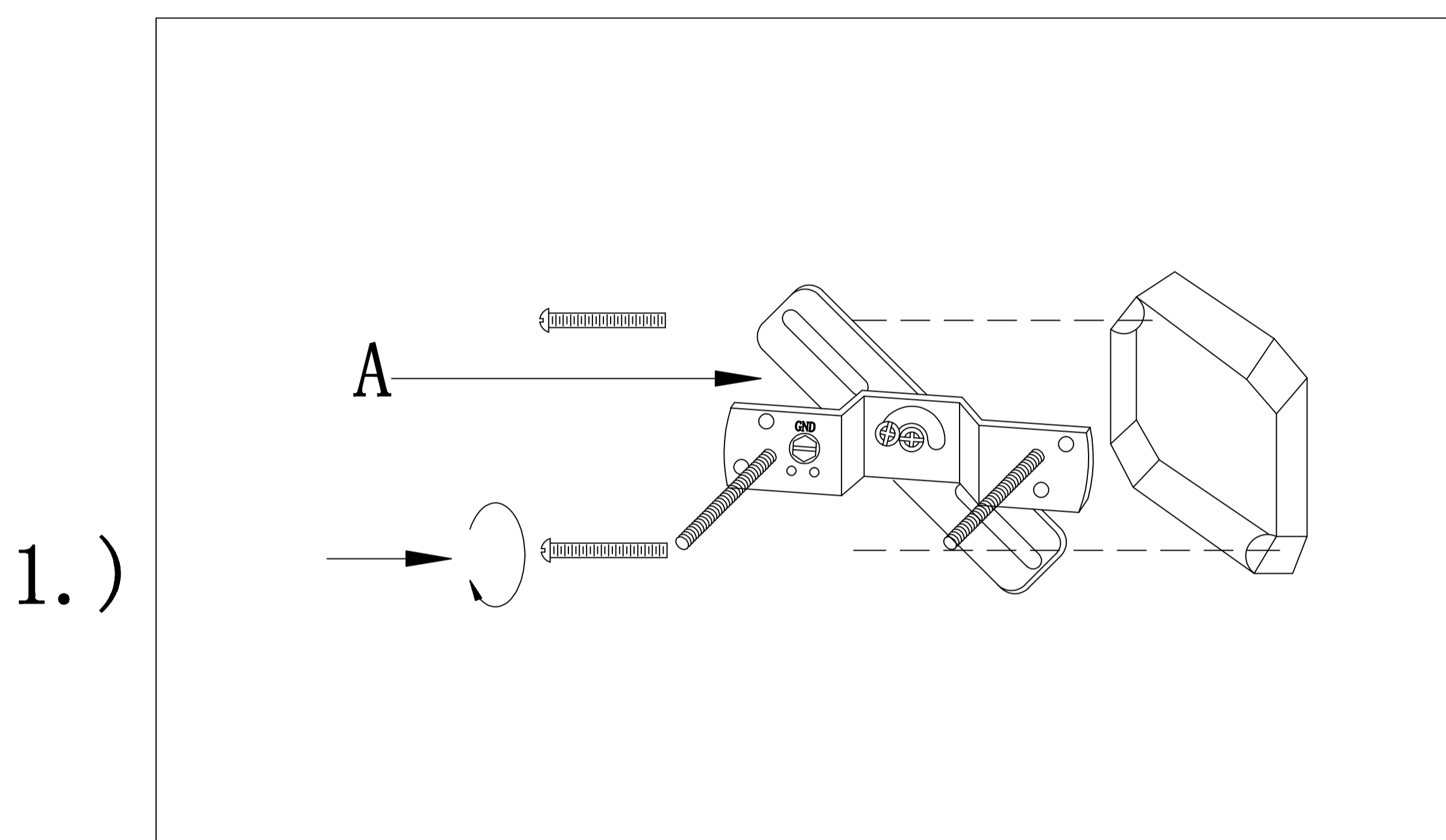


Fixture (B)

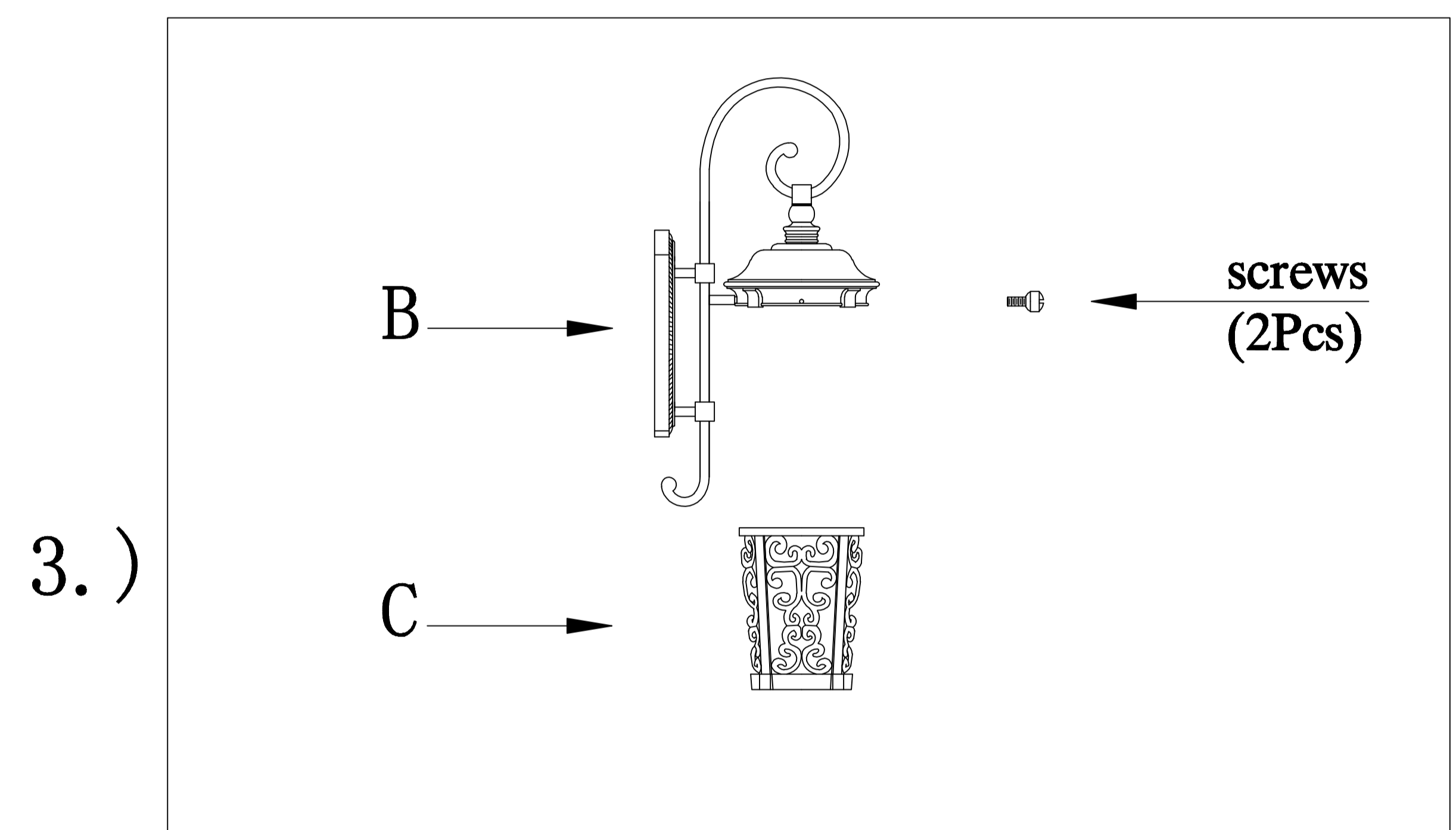


Cage (C)

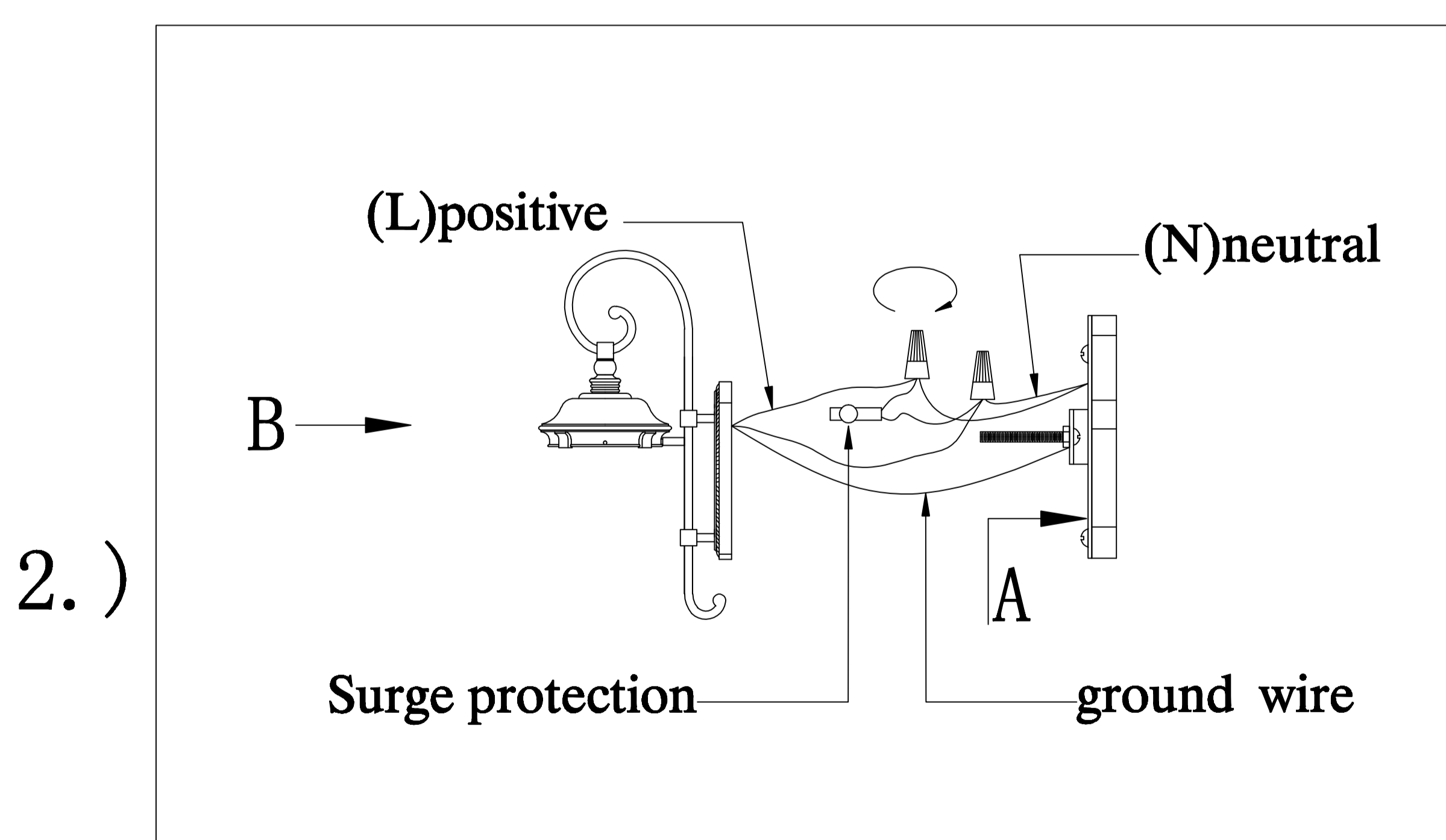
Locate all hardware & components before discarding packaging



Step.1: Remove mounting bracket from fixture(B) and install to electrical box. then wire fixture to wires in outlet box. Copper wire is for Ground.



Step.3: Install the cage(C) to the fixture(B) using screws.



Step.2: Attach back plate to mounting bracket and tighten ball nuts so fixture meets wall. Caulk fixture where back plate meets the wall with silicone sealant.

Cleaning & Care:
Clean with soft cloth and a mild detergent.
Do not use abrasive cleaner.