

# MODERN FLAMES

## STUDIO SUITES WALL MOUNT SUITE INSTALLATION

WMC-44LPM-ESP \* WMC-44LPM-RTF \* WMC-56LPM-ESP \* WMC-56LPM-RTF \* WMC-68LPM-ESP \* WMC-68LPM-RTF \* WMC-80LPM-ESP \* WMC-80LPM-RTF

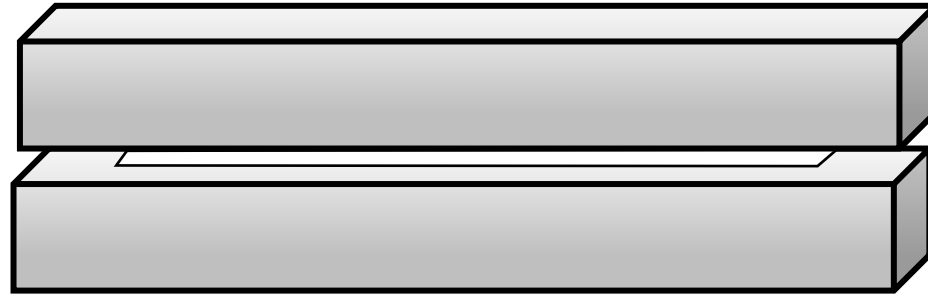


# WHAT'S IN THE BOX? (WALL MOUNT SUITE)

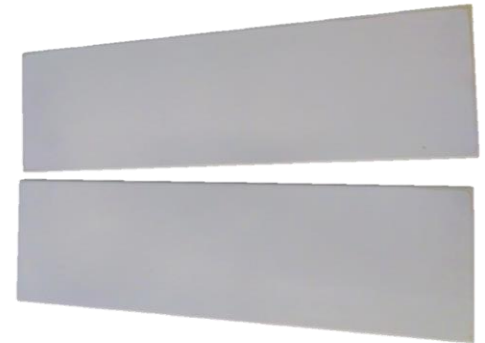
- 1x TOP & 1x BOTTOM CABINET
- WALL-MOUNT OPTION, TOP WILL HAVE A NOTCH ON RIGHT SIDE INSIDE FOR ELECTRICAL **(FOR READY TO FINISH MUST PAINT PRIOR TO INSTALL)**
- 2x MATCHING SIDE PIECES **(FOR READY TO FINISH MUST PAINT PRIOR TO INSTALL)**
- 1x WALL MOUNT BRACKET
- 4x CABINET INSTALL BRACKETS
- 10x M3-.5 SCREWS FOR BRACKETS(2 are spares)
- 8x #8 1-5/8" FOR SECURING TO STUDS
- 8x #8 1" SCREWS FOR SECURING TO WALL ANCHORS
- 8x WALL ANCHORS
- 4x #8 ½" SELF DRILLING SCREWS FOR SECURING WALL MOUNT TO FIREBOX
- 1x 120VAC 14AWG POWER CORD
- TOUCH UP PAINT \* FOR ESPRESSO ONLY \*
- \*\*\*4 WIRE 240VAC CORD NOT INCLUDED\*\*\*



WALL MOUNT BRACKET (x1)



TOP CABINET (x1)  
BOTTOM CABINET (x1)



MATCHING SIDE PIECES (x2)



#8 X 1/2" SELF DRILLING(x4)



#8 X 1-5/8" (x8)



CABINET MOUNT BRACKET (x4)



120 VAC POWER CORD (x1)



M3-0.5 X 12(X10)  
(STYLE MAY VARY)



WALL ANCHORS(x8)



#8 X 1" (x8)



TOUCH UP PAINT (x1)  
(ESPRESSO ONLY)

\*\*HARDWARE FINISH MAY VARY

# TOOLS NEEDED:

- TAPE MEASURE
- STUD FINDER
- LEVEL
- P2 PHILLIPS SCREW DRIVER
- PENCIL/MARKER
- DRILL WITH P2 PHILLIPS BIT
- DRYWALL SAW
- TOWELS

## OPTIONAL:

- 1/8" DRILL BIT FOR PILOT HOLES
- GLOVES
- VACCUUM

**RECOMMENDED 2 PERSON INSTALLATION**

# OVERALL SUITE DIMENSIONS ONCE INSTALLED

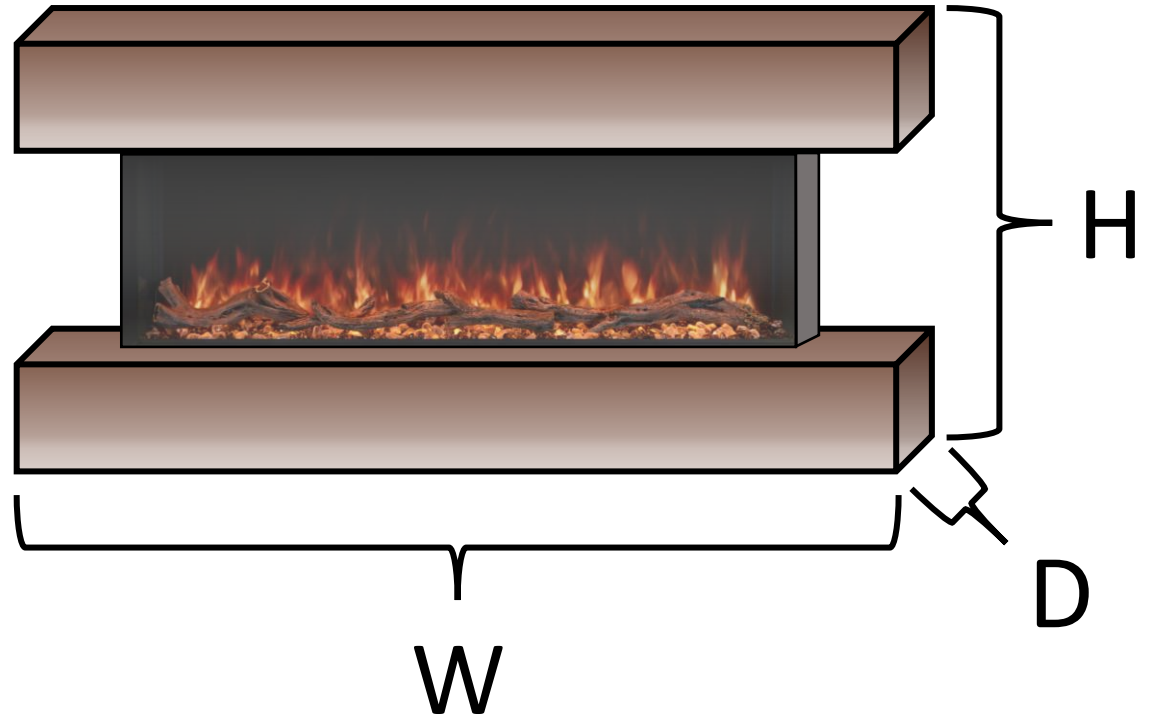
## WALL MOUNT DIMENSIONS:

44 = 58.5" W x 28" H x 14.5" D

56 = 70.5" W x 28" H x 14.5" D

68 = 82.5" W x 28" H x 14.5" D

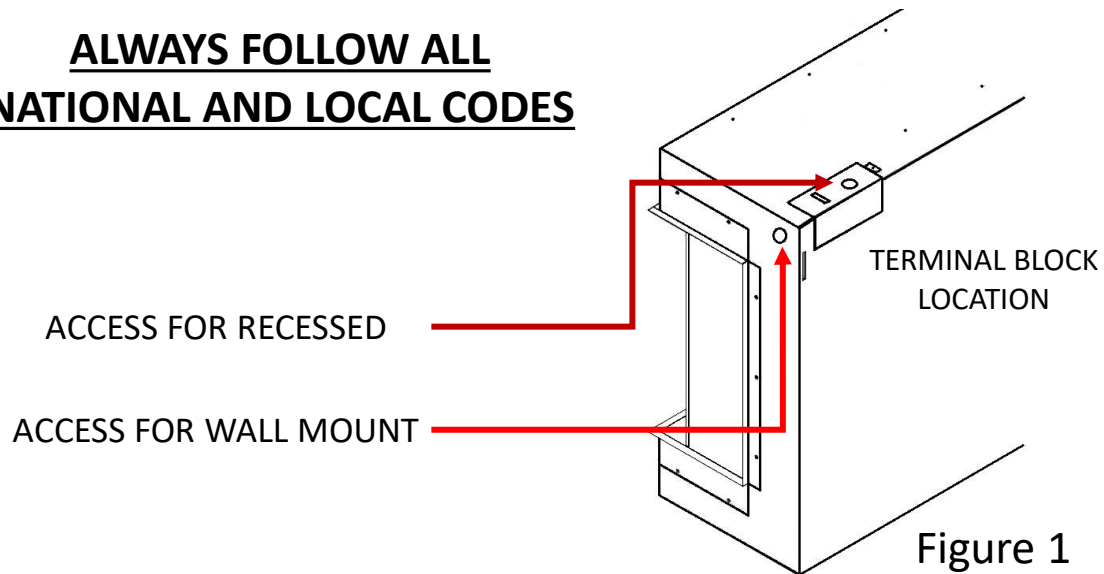
80 = 94.5" W x 28" H x 14.5" D



# STEP 1

Select a suitable location for your fireplace suite. Consider the type of installation and the running of your electrical when choosing the location. Electrical connects to the top right side of the fireplace. (see figure 1) Take into consideration your overall suite dimensions when selecting an area. If you want to install your wall mounted electric fireplace suite into brick or masonry you'll need additional hardware beyond what is included in the standard installation kit provided with your suite; such as masonry anchors & bolts. These are distinctly different from the wall anchors provided in the kit, used for drywall applications.

**ALWAYS FOLLOW ALL NATIONAL AND LOCAL CODES**



**Provide a dedicated flexible 15 amp 120 volt circuit or dedicated 4 wire 240 volt circuit for hard wire installation.**

**(FOR READY TO FINISH MUST PAINT PRIOR TO INSTALL)**



# STEP 2

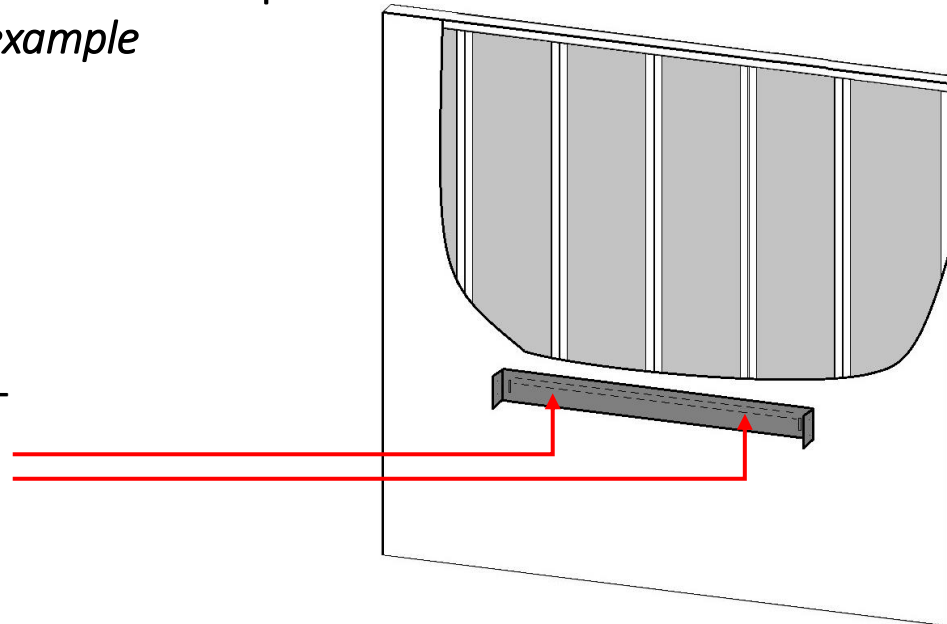
After you have selected a suitable location for wall mounting, locate the studs on the wall. You must be able to secure a minimum of **2 studs** for proper installation of bracket. (*see figure 2*) **FAILURE TO DO SO CAN RESULT IN PERSONAL INJURY AND/OR DAMAGE TO EQUIPMENT.** Additional support is provided by using the included wall anchors between the studs.

The top of the bracket will be the top of the fireplace which will be  $\frac{3}{4}$ " lower than the overall height with the cabinet installed. (*see figure 3*) Measure where you would like the top of the fireplace to be and mark the wall. Hold the bracket to your desired height, then align the bracket with studs and verify that the bracket is level. Once level, mark where you will secure the bracket to the studs and mark where you will be installing the wall anchors.

**\*Note if using anchors those must be installed prior to securing bracket.**

Mark the right side of the bracket so that a qualified electrician can either run a dedicated outlet per national & local codes. *See figure 4 on next page for example*

SECURE THE BRACKET  
TO THE STUDS



EXAMPLE OF STUDS BEHIND WALL

Figure 2

# STEP 2 CONTINUED

TOP OF BRACKET IS 0.75" LOWER THAN  
OVERALL HEIGHT.

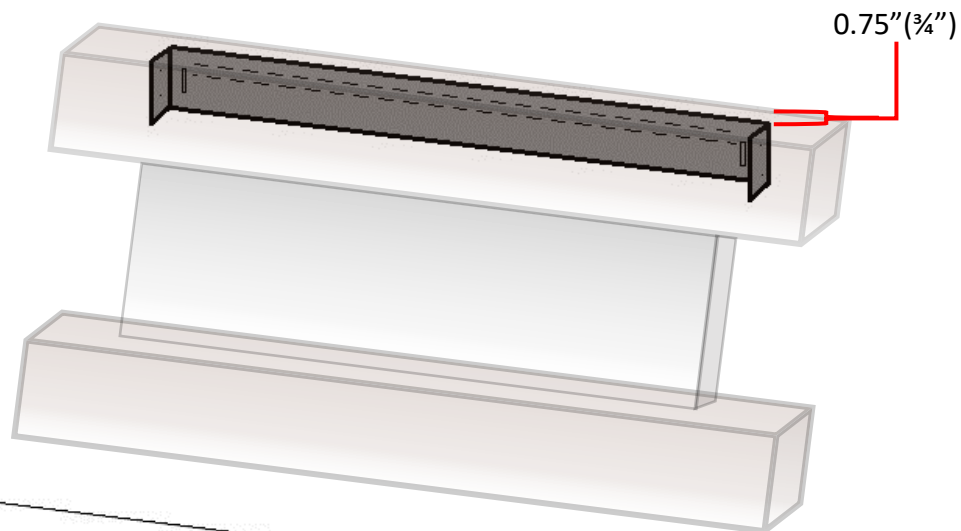
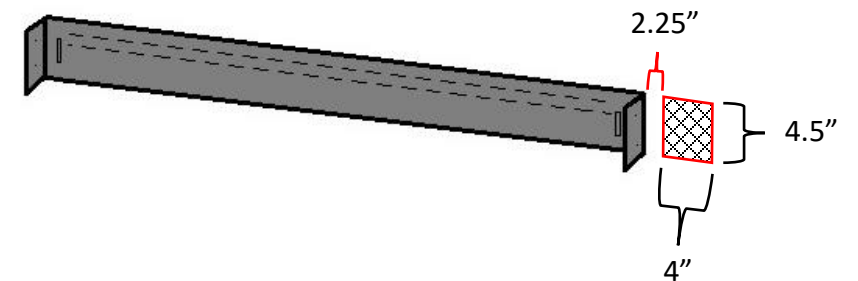


Figure 3

HARDWIRE OR OUTLET LOCATION  
RIGHT SIDE OF BRACKET  
2.25" AWAY FROM BRACKET  
SPACE AVAILABLE 4"W x 4.5"H



**Provide a dedicated 15 amp 120 volt circuit  
or dedicated 4 wire 240 volt circuit for plug in  
installation**

Figure 4



# STEP 3

- It is optional but with an 1/8" drill bit (NOT INCLUDED) pre-drill the holes for all of your marks
- Install wall anchors prior to installing bracket. It is recommended that wall anchors be installed with a Phillips tip screw driver. (*figure 7*)
- Secure your bracket and align with marks (or pre-drilled holes) so that you can mount the bracket. (*see figure 5*)
- Verify the bracket is level and with #8- 1-5/8" screws secure bracket to wall studs. (*see figure 6*)
- Verify bracket is still level. If using anchors with the #8- 1" screws secure the bracket to the wall anchors.

**(BRACKET MUST BE SECURED TO A MINIMUM OF 2 STUDS)**

**(MAKE SURE ALL SCREWS ARE FLAT ON THE BRACKET)**

*If installing into masonry perform same steps but follow masonry anchor manufacture instructions*

FIGURE 7. EXAMPLE OF ANCHOR INSTALL

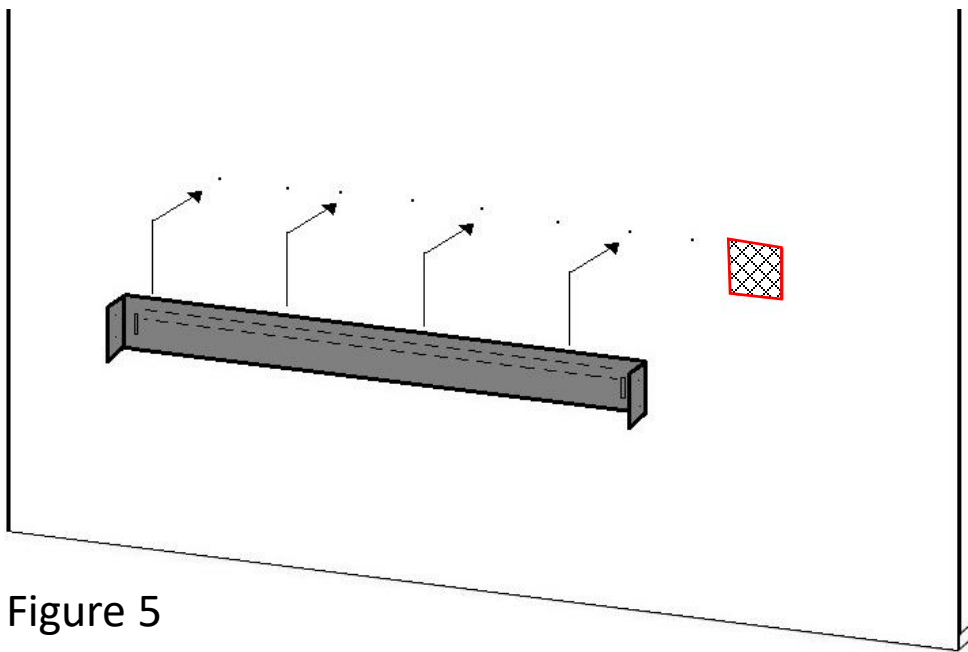
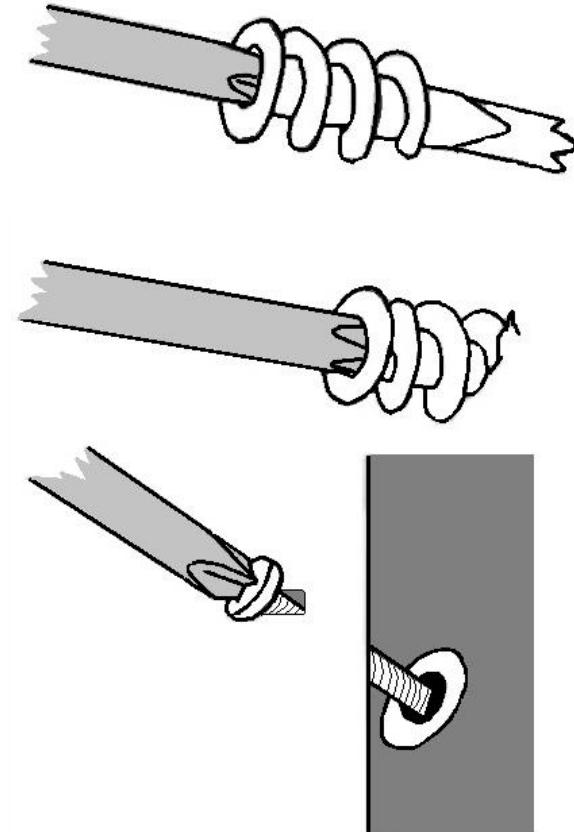


Figure 5

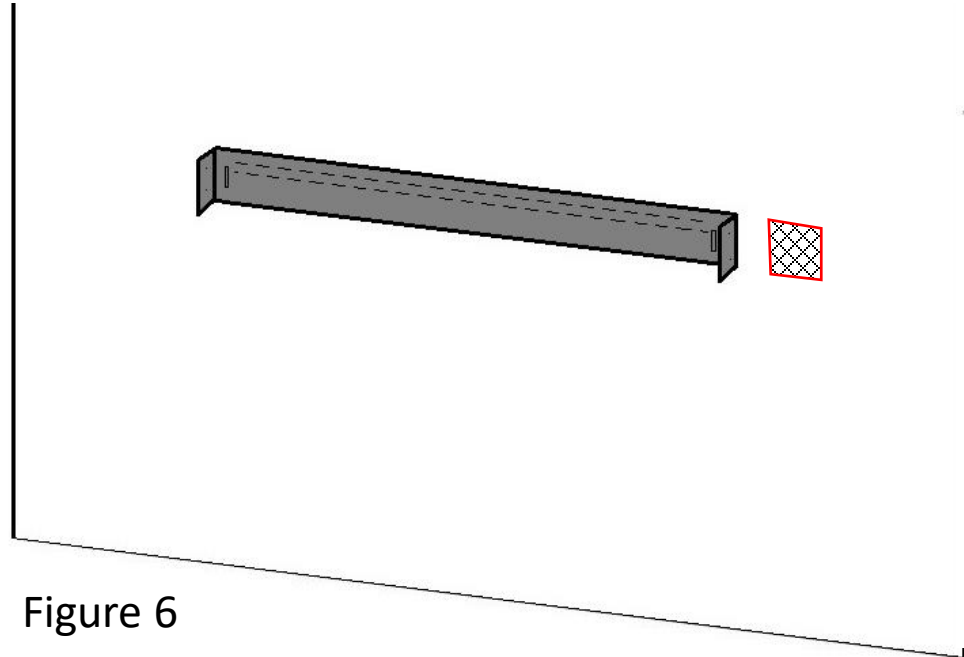


Figure 6

# STEP 4

- Locate the slots on the back of the fireplace (see *figure 8*), they are on the back top left and right of the fireplace. This is where the hooks (see *figure 9*) on the bracket will hook into.
- Lift fireplace onto wall mount bracket and hook onto bracket.
- Locate the pilot holes on the side of the wall mount bracket. (see *figure 9 & 10*)
- With the(x4) #8-1/2" self-drilling screws secure the fireplace to the bracket. Pushing the fireplace towards the bracket while securing will help ensure a snug installation.
- If hardwiring or plugging this may now be completed. (see *figure 11*)

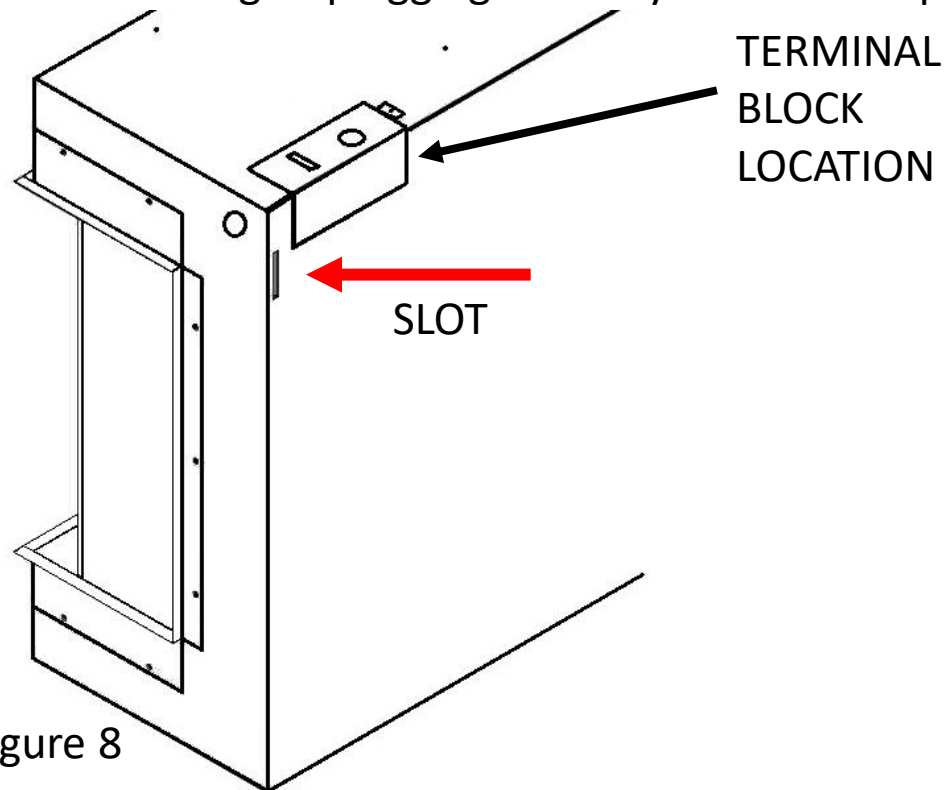


Figure 8

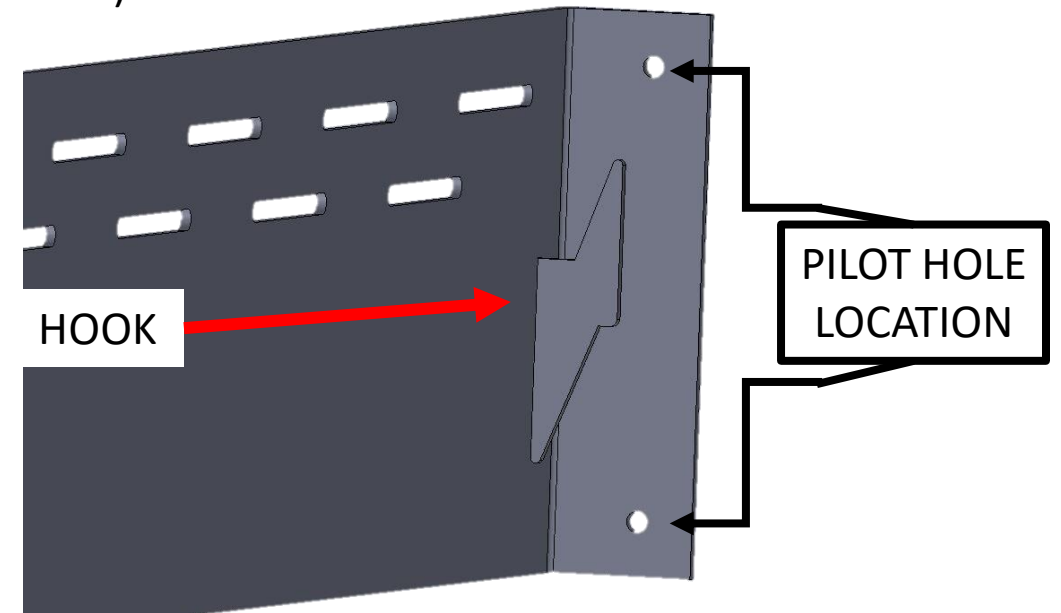
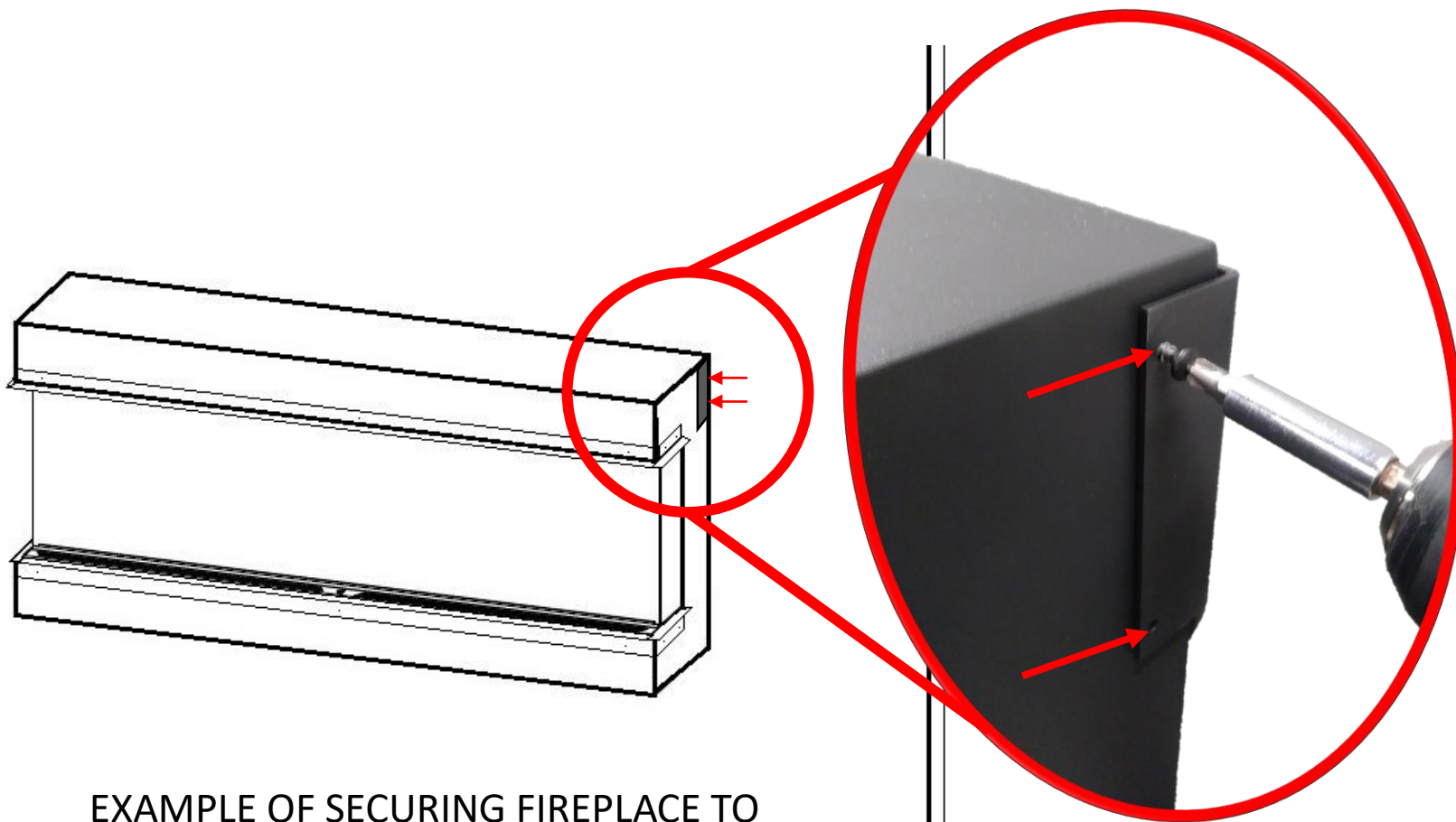


Figure 9

# STEP 4 CONTINUED



EXAMPLE OF SECURING FIREPLACE TO  
WALL MOUNT BRACKET

CONNECT POWER CORD TO THE  
FIREPLACE BY RUNNING THROUGH SIDE  
ELECTRICAL ACCESS  
**REFERENCE MANUAL FOR CONNECTION**



Figure 11

Figure 10

# STEP 5

- Locate your cabinet mount brackets and M3-0.5 x 12 screws.
- These will be installed onto your fireplace drywall stops. (see figure 12 & 13) It is recommended you do one at a time. The M3-0.5 screws will take place of the original screws securing the drywall stop. (see figure 14)
- Note orientation of cabinet mount bracket. Longer side must be away from the wall pointing towards you.
- The drywall stop and bracket will create a  $\frac{3}{4}$ " slot for the cabinets that make up the suite to slide onto. (see figure 15) Diameter of hole in bracket is designed to give minor adjustment if needed.
- Complete install on all four corners of fireplace. (Top Left & Right, Bottom Left & Right)

CABINET MOUNT BRACKET



DRYWALL STOP

CABINET MOUNT BRACKET HOLES ALIGN ON DRYWALL STOP



Figure 13

# STEP 5 CONTINUED

EXAMPLE OF INSTALLATION

BEST TO LEAVE HARDWARE LOOSE UNTIL BOTH SCREWS ARE STARTED FOR EASE OF INSTALLATION

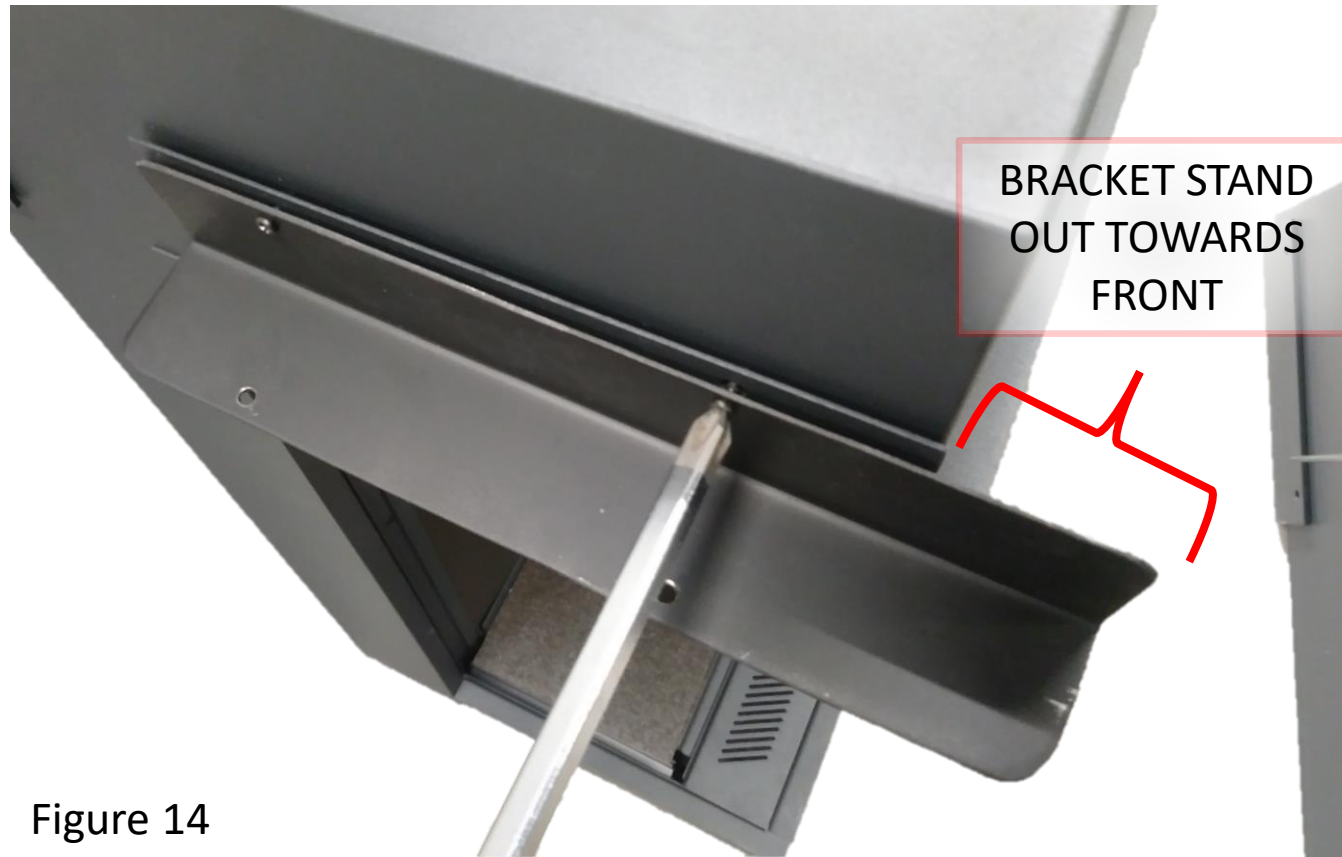


Figure 14



Figure 15

# STEP 6

Reference fireplace install manual for additional information

INSTALL SIDE GLASS FIRST

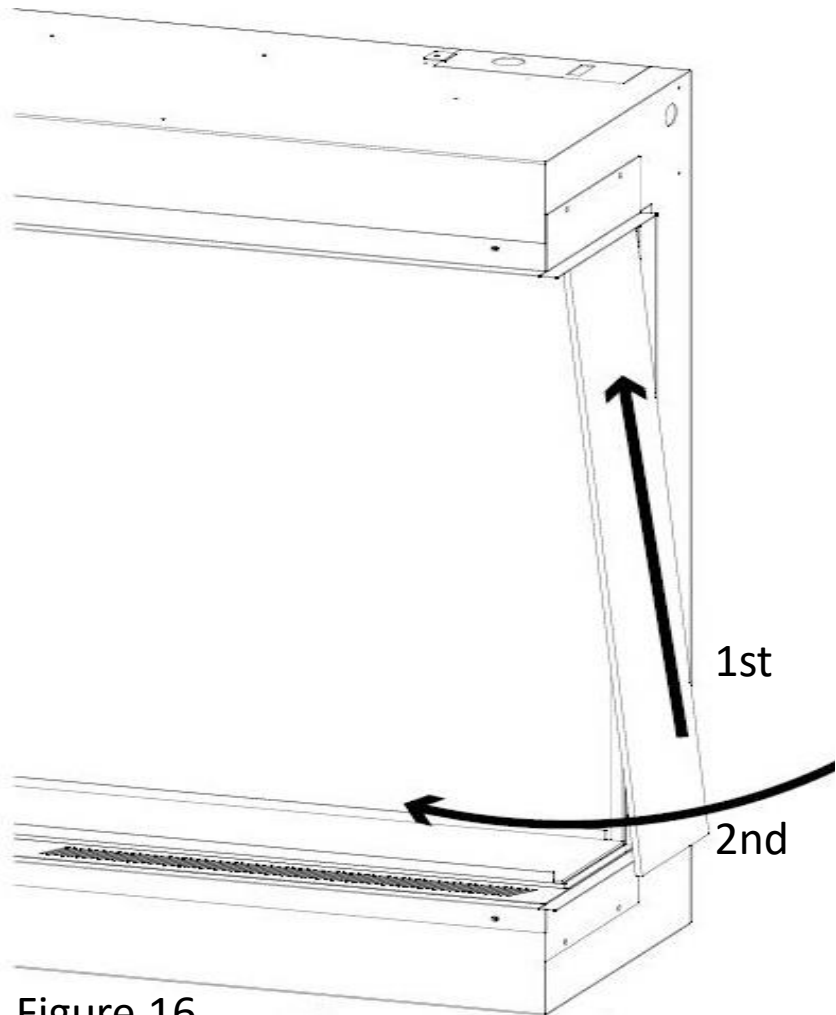


Figure 16

INSTALL DESIRED MEDIA

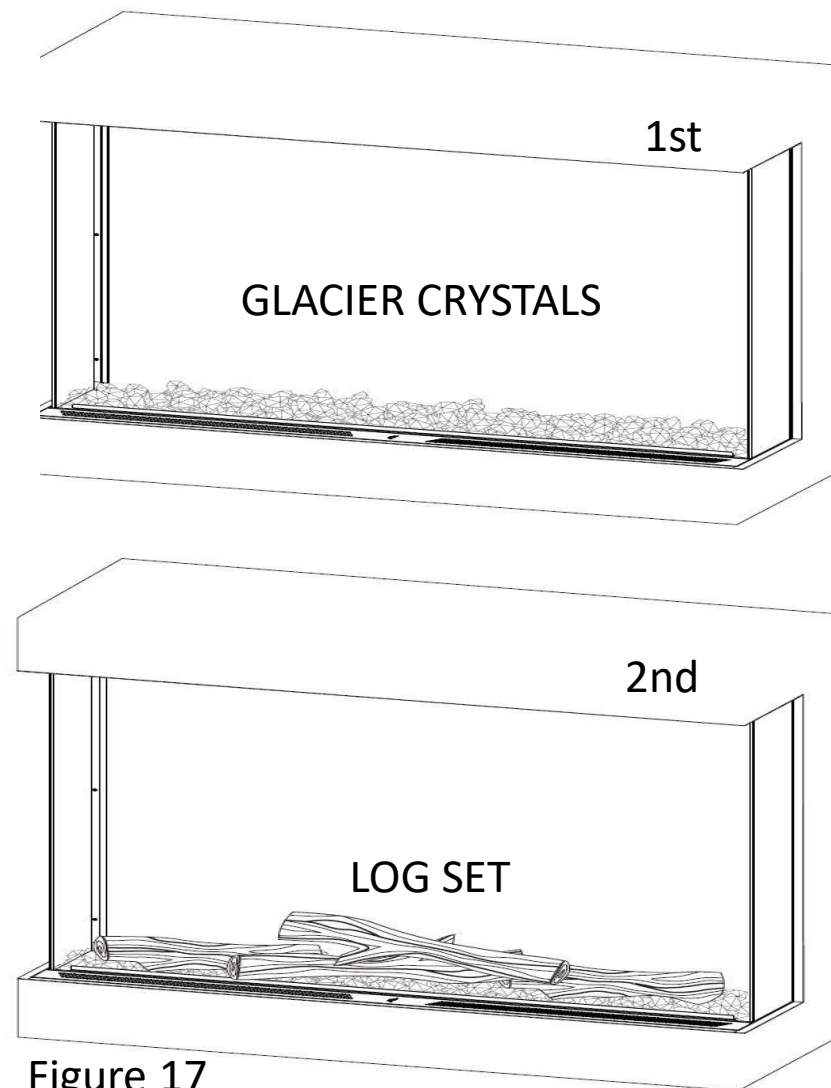


Figure 17

INSTALL FRONT GLASS

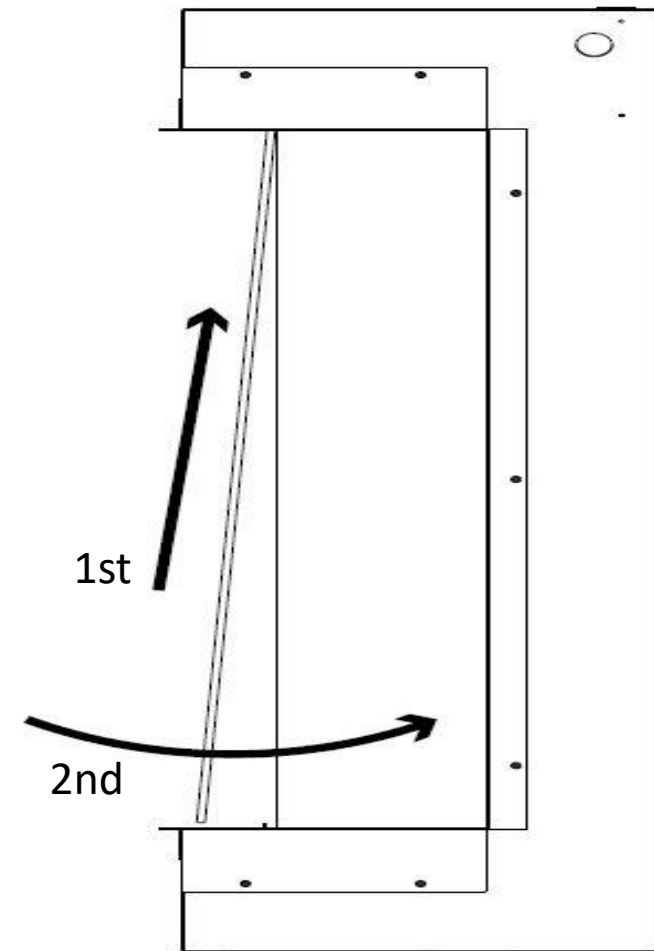


Figure 18

# STEP 7

- Secure the bottom cabinet and align left and right onto brackets, *see figure 19*. Cabinet will slide in between the bracket and drywall stops. **MAKE SURE TO INSERT CABINET LEVEL & EVENLY TO AVOID DAMAGING CABINET. IF TOO TIGHT REMOVE CABINET, LOOSEN BRACKETS, MAKE SPACING LARGER AND RE-TIGHTEN BRACKETS; THEN RETRY.**
- Now locate your top cabinet. Remember it must have a notch on the inside to allow for power. Same steps performed as the bottom cabinet install with the addition of making sure to hide any cables, *see figure 20*.
- See figure 21.1 & 21.2 for close up of cabinet sliding in between both brackets.

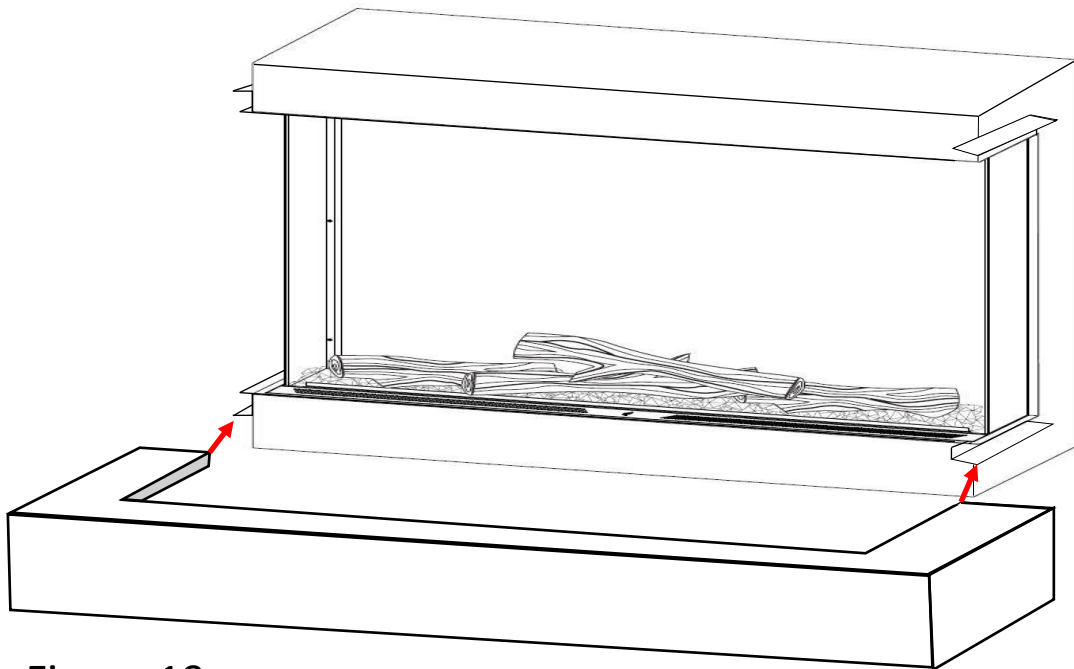


Figure 19

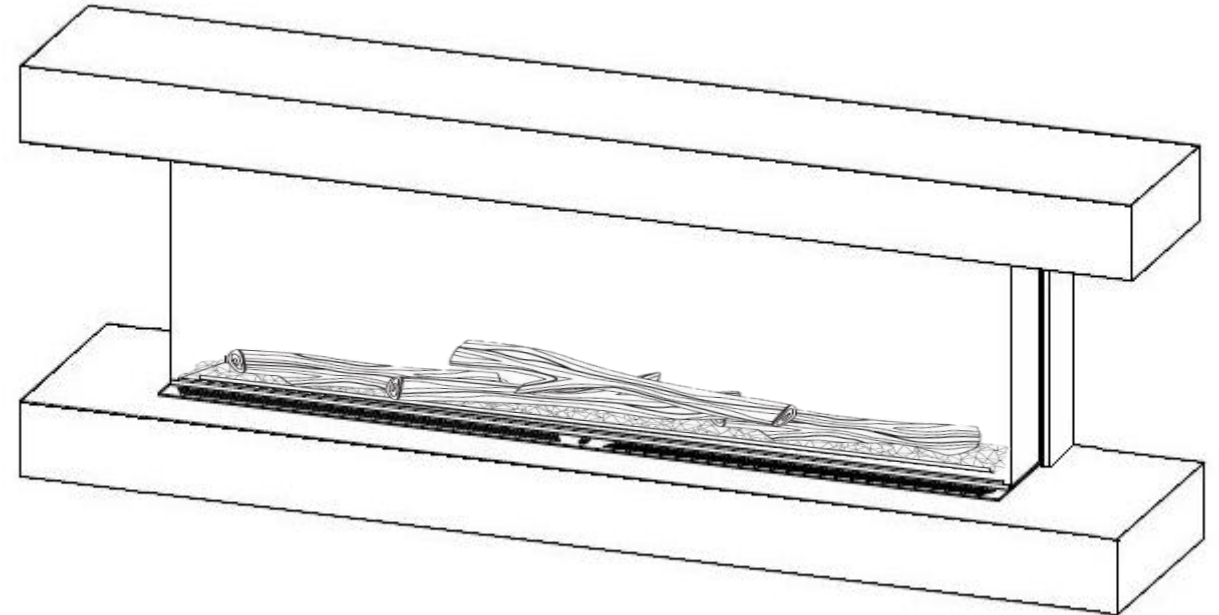


Figure 20

# STEP 7 CONTINUED



Figure 21.1



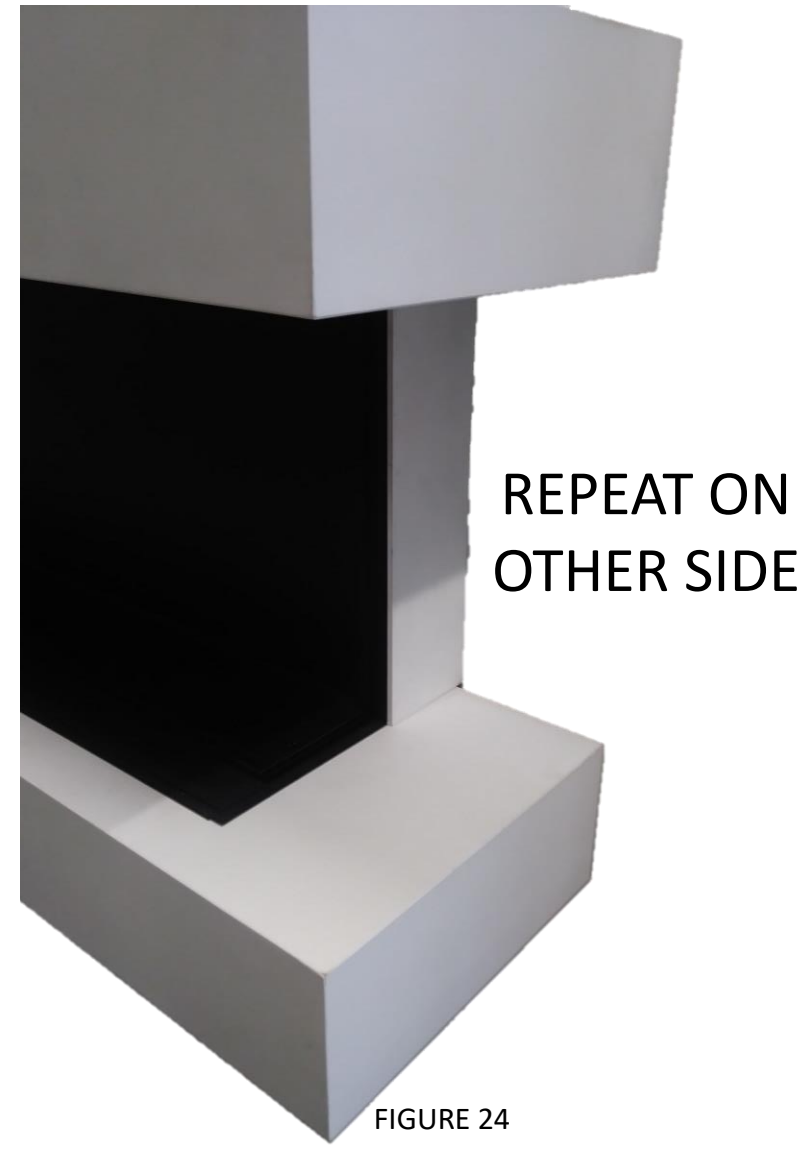
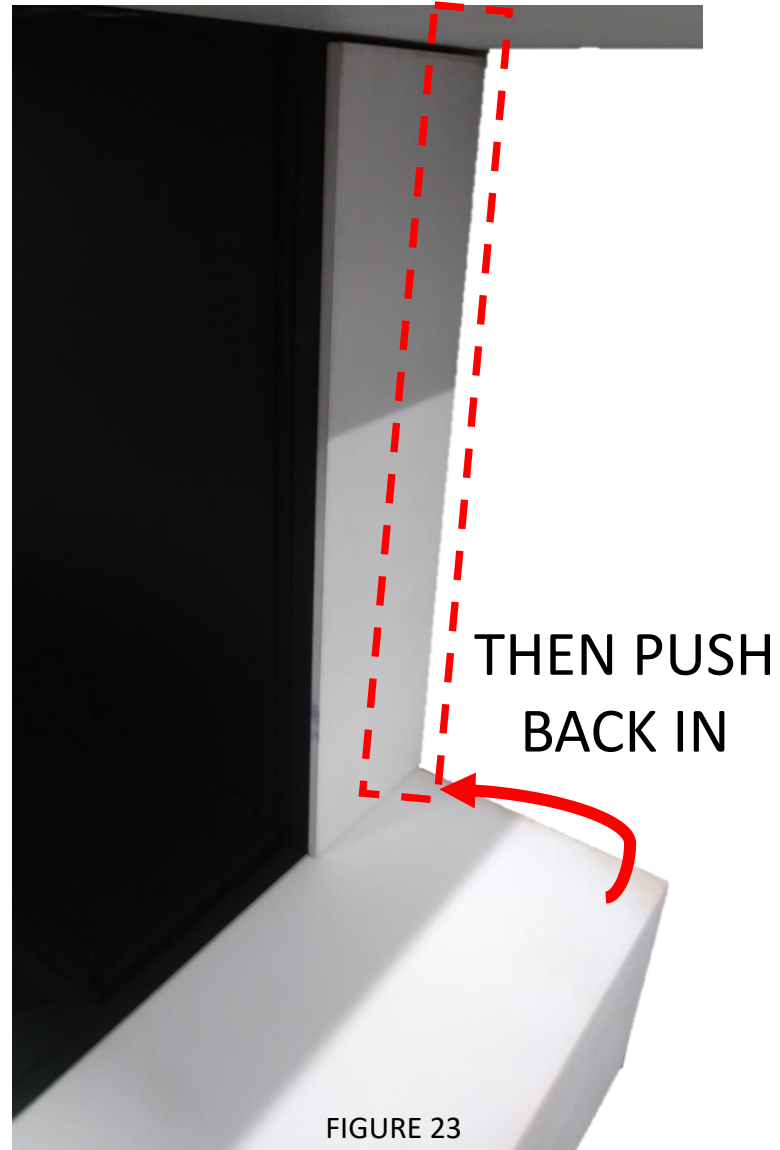
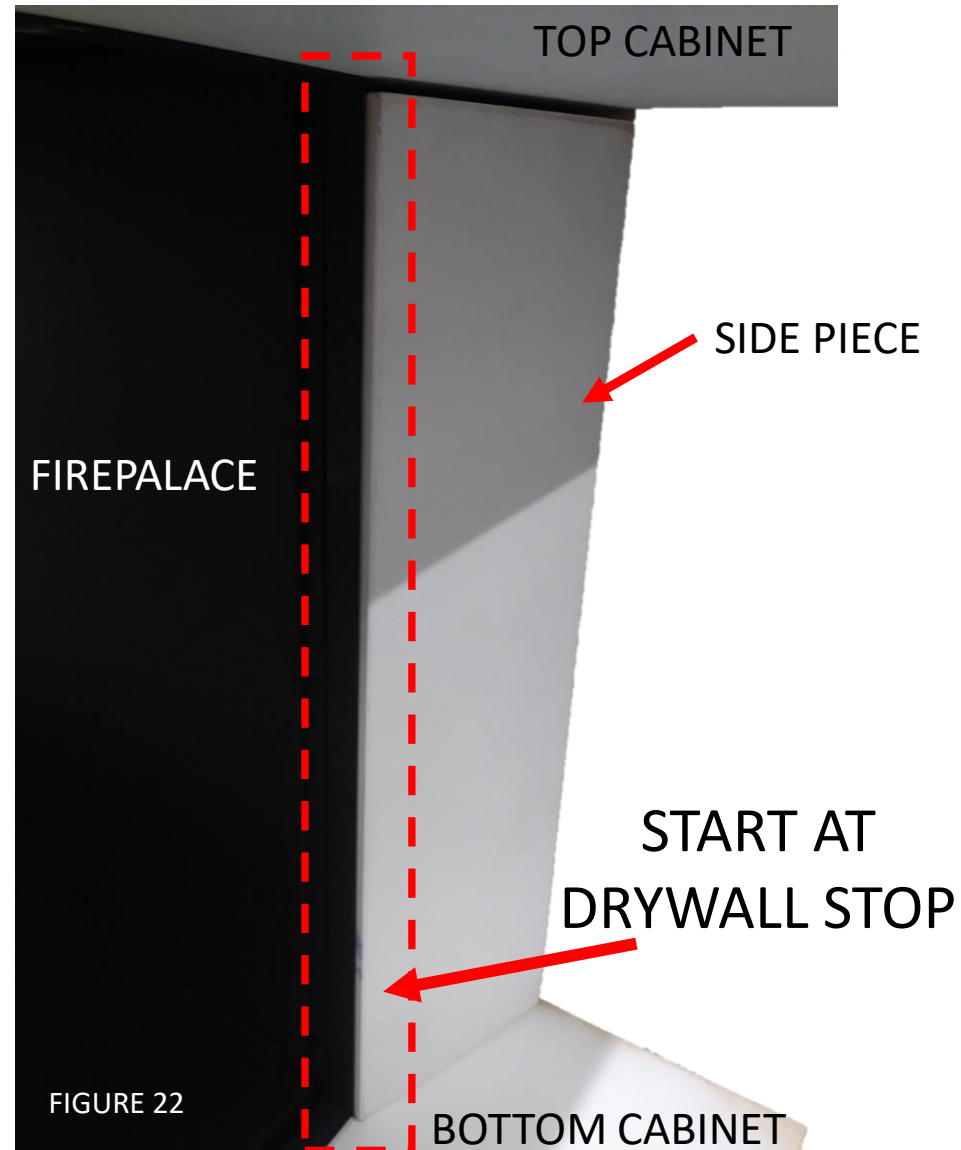
Figure 21.2

CABINET SLIDING IN BETWEEN CABINET  
MOUNT & DRYWALL STOP.  
KEEP LEVEL AND MAKE SURE LEFT & RIGHT  
GO IN EVENLY



# STEP 8

- Locate your two matching side pieces. Starting at drywall stop, slide the side piece in then push the remaining of side piece into place. NOTE: These are friction fit. If there is not enough friction a construction adhesive or double sided tape may be used to help secure it.



# WALL MOUNT INSTALL COMPLETE



Question or concerns feel free to contact  
Modern Flames Customer Service  
Monday – Friday 08:00 am – 05:00 pm AZ MTN STD  
1-877-246-9353  
or email  
[customerservice@modernflames.com](mailto:customerservice@modernflames.com)