

MODERN FORMS SMART FANS

XF-SCK

INSTALLATION INSTRUCTIONS

TABLE OF CONTENTS

1. Safety Rules
2. Package Contents
3. Installation Instructions

1. SAFETY RULES

For operation, maintenance, and troubleshooting information, visit modernforms.com/help.

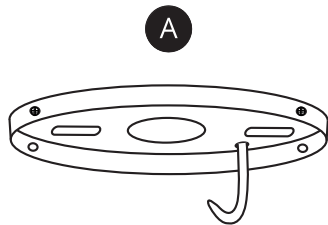
1. To prevent electrical shock, ensure electricity has been turned off at the circuit breaker before beginning.
2. All wiring must be in accordance with the National Electrical Code "ANSI/NFPA 70" and local electrical codes. Electrical installation should be performed by a licensed electrician.
3. The fan must be mounted with a minimum of 7 ft (2.1 m) clearance from the fan blades to the floor and a minimum of 1.5 ft (0.5 m) from the edge of the fan blades to the surrounding walls.
4. The outlet box and support structure must be securely mounted and capable of reliably supporting a minimum of 50 lbs (22.7 kg). Use only UL/cUL listed outlet boxes marked "FOR FAN SUPPORT OF 70 LBS OR LESS." Use only the screws and washers provided with the outlet box.

WARNING: Do not install or use if any part(s) is/are damaged or missing. This product is designed for use only with the supplied parts and/or accessories designated for use with this product by Modern Forms. Substitution of parts or accessories not designated for use with this product by Modern Forms could result in personal injury or property damage and will void the warranty. Contact an authorized dealer or the manufacturer if any parts are damaged or missing.

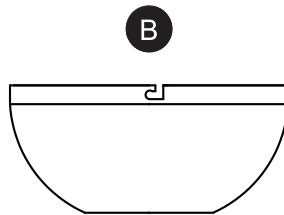
WARNING: Before assembling, refer to the "Making the Electrical Connections" section in your fan's installation instructions. If you feel you do not have enough wiring knowledge or experience, have your fan installed by a licensed electrician.

WARNING: Do not use power tools to assemble or install your fan. Using power tools can result in improper assembly which can lead to noise or fan damage, personal injury or property damage.

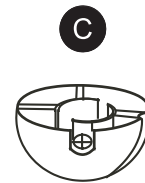
2. PACKAGE CONTENTS



Mounting Plate w/ Screws



Canopy



Hanger Ball

MODERN FORMS SMART FANS XF-SCK

INSTALLATION INSTRUCTIONS

3. INSTALLATION INSTRUCTIONS

CAUTION: To prevent electrical shock, ensure electricity has been turned off at the circuit breaker.

NOTE: This unit accommodates slopes of up to 45°.

1. Remove the 2 canopy mounting screws and washers 180 degrees apart on the outside edge of the mounting plate. Loosen the 2 remaining screws (Fig. 1).
2. Install mounting plate to outlet box using the screws and washers provided with your outlet box (Fig. 2).

Fig. 1

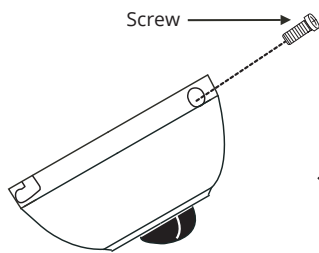
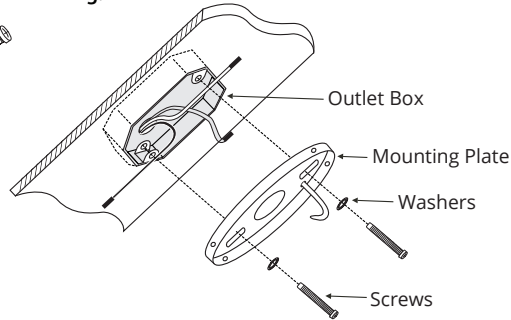


Fig. 2



3. Remove the hanger ball that was supplied with your fan by removing the set screw. Slide the hanger ball off the downrod. Be sure to keep the cross pin supplied with your fan's downrod to use with the slope ceiling adapter ball (Fig. 3).
4. Follow the steps from your fan's installation instructions to install the downrod and coupling cover to the fan motor assembly.
5. Feed motor lead wires and safety cable through the canopy of the sloped ceiling kit (Fig. 4).
6. Loosen the 2 set screws on the hanger ball provided with the sloped ceiling kit and install it onto the downrod with the cross pin removed in step 3. Push the hanger ball up until it engages the cross pin and tighten the 2 screws on the hanger ball, securing it to the downrod (Fig. 3).
7. Carefully hang fan onto hook in mounting plate using one of the 2 holes in the canopy. This will allow hands-free wiring. Refer to "Making the Electrical Connections" in your fan's installation instructions (Fig. 5).
8. Make sure the flat side of the receiver is facing the ceiling before attaching fan to mounting plate (Fig. 6).

WARNING: Check to see that all connections are tight, including ground, and that no bare wires are visible at the plastic wire nuts except for the ground wires.

Fig. 3

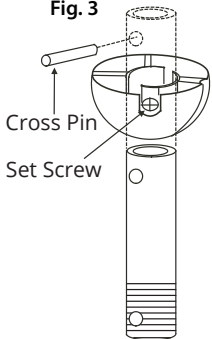
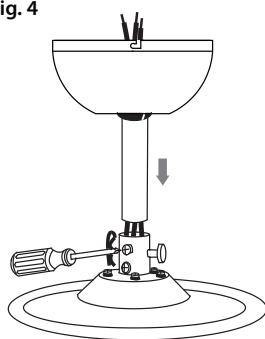
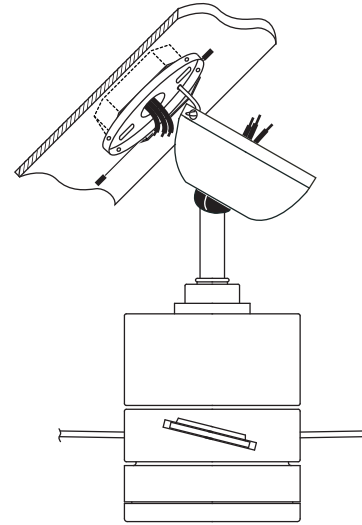


Fig. 4



9. Carefully lift fan from mounting plate hook, making sure not to break any wire connections. The canopy has 2 mating slots and 2 mating holes. Position both slots in canopy directly under and in line with 2 mounting plate screws and washers. Lift fan until mounting plate screws are seated in bottom slots of canopy (Fig. 6).

Fig. 5

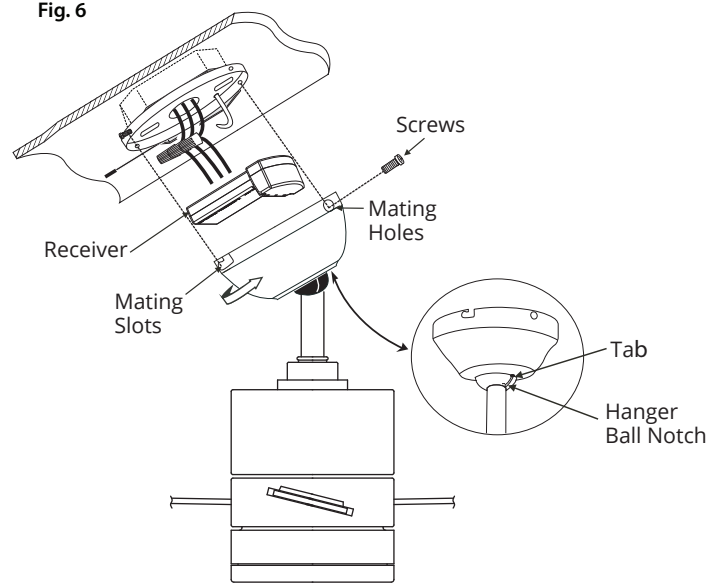


10. Rotate canopy clockwise until both mounting screws drop into slot recesses. Tighten screws securely. Install screws and washers that were previously removed in step 1 into mating holes and tighten. Make sure that the tab in the canopy engages the notch in the hanger ball (Fig. 6).

WARNING: Failure to properly install and/or tighten the screws could result in the fan loosening and possibly falling. Take care to make sure all screws are tight.

NOTE: Follow the steps from your fan's installation instructions to complete installation of your fan.

Fig. 6



Modern Forms retains the right to modify the design of our products at any time as part of the company's continuous improvement program.