

MODERN FORMS SMART FANS

XF-12/XF-1

INSTALLATION INSTRUCTIONS

TABLE OF CONTENTS

1. Safety Rules
2. Package Contents
3. Installation Instructions

1. SAFETY RULES

For operation, maintenance, and troubleshooting information, visit modernforms.com/help.

CAUTION: To prevent electrical shock, ensure electricity has been turned off at the circuit breaker before beginning.

-Read all instructions before installing.

-All wiring must be in accordance with the National Electrical Code "ANSI/NFPA 70" and local electrical codes. Electrical installation should be performed by a licensed electrician.

-The outlet box and support structure must be securely mounted and capable of reliably supporting a minimum of 50 lbs (22.7 kg). Use only UL/cUL listed outlet boxes marked "FOR FAN SUPPORT OF 70 LBS OR LESS." Use only the screws and washers provided with the outlet box.

-The fan must be mounted with a minimum of 7 ft (2.1 m) clearance from the trailing edge of the fan blades to the floor and a minimum of 1.5 ft (0.5 m) from the edge of the fan blades to the surrounding walls.

-To avoid personal injury or damage to the fan and other items, please be cautious when working around or cleaning the fan. All set screws must be checked and re-tightened where necessary before installation.

WARNING: All parts must be used as indicated in these instructions. This product is designed for use only with the supplied parts and/or accessories designated for use by Modern Forms. Substitution of parts or accessories not designated for use with this product by Modern Forms could result in personal injury or property damage and will void the warranty. Contact an authorized dealer or the manufacturer if any parts are damaged or missing.

WARNING: To reduce the risk of fire, electric shock, personal injury or damage to the fan or other items, mount the fan to a UL/cUL listed outlet box marked "FOR FAN SUPPORT" with the screws provided with the outlet box.

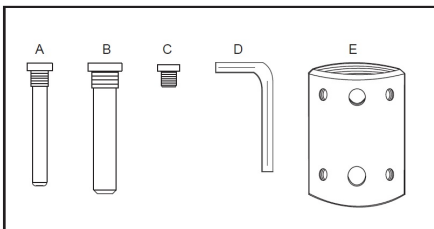
2. PACKAGE CONTENTS

A

DOWNROD COUPLERS

PARTS

- | | |
|-----------------------------|--------------------|
| A) 33.8mm Threaded Pin | D) Allen wrench |
| B) 34.5mm Threaded Pin | E) Downrod coupler |
| C) Allen set screws (4 pcs) | |



B

DOWNRODS

12", 18", 24", 36", 48", 60", 72"*



*Carbon Fiber downrods available in 12", 18", 24" and 36"/ Koa downrods available in 12", 18", 24" and 48"

Modern Forms retains the right to modify the design of our products at any time as part of the company's continuous improvement program.

www.modernforms.com

MODERN FORMS SMART FANS XF-12/XF-1

INSTALLATION INSTRUCTIONS

3. INSTALLATION INSTRUCTIONS

SMART FAN DOWNROD CUTTING INSTRUCTIONS

Remember to disconnect the power at the circuit breaker.

In order to properly cut your downrod(s) please follow the instructions below.

1. Cut the non-threaded end of the downrod off to the desired length (Fig. 1).

NOTE: We recommend using a band saw or a table saw to cut your downrods.

2. Drill a 5/16" diameter hole through both sides 7/16" from the end of the downrod (Fig. 2).

NOTE: To ensure accuracy, we recommend using a drill press with a level to drill holes in downrods.

3. Using a file, deburr the cut end of the downrod and the holes both inside and out.
4. Using paint of any color, paint over any raw metal to avoid rust. Paint will be covered by the hanger ball.

CAUTION: Ensure that drilled holes are perpendicular to the length of the downrod before continuing installation.

NOTE: Cutting downrods may be necessary to meet certain suspension requirements.

Fig. 1

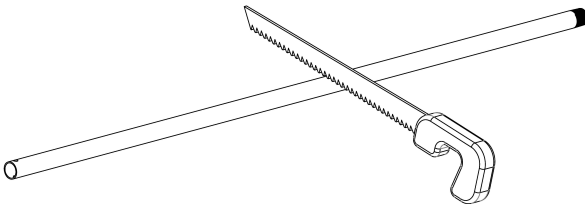
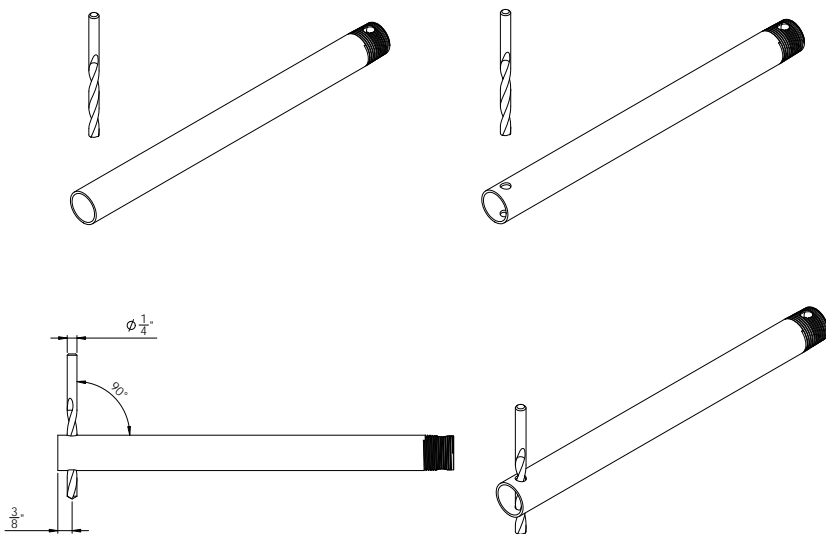


Fig. 2



MODERN FORMS SMART FANS

XF-12/XF-I

INSTALLATION INSTRUCTIONS

ALTERNATIVE DOWNROD LENGTHS

Remember to disconnect the power at the circuit breaker.

To replace your fan's existing downrod follow the instructions below.

1. Loosen the 2 set screws from the motor collar. Remove the cotter pin and clevis pin if installed into the motor collar.
2. Remove the hanger ball from the downrod assembly included with the fan by loosening the set screw and removing the cross pin.
3. Carefully feed fan wires and safety cable up through one of the accessory downrods. Thread the downrod into the motor collar until the holes are lined up. Replace the clevis pin and cotter pin previously removed. Tighten set screws.
4. Slip coupling cover and canopy screw cover onto downrod.

DOWNROD COUPLER INSTALLATION (Fig. 3)

To connect two downrods together follow the instructions below.

NOTE: Make sure coupling cover and canopy screw cover are in place before installing downrod coupler.

NOTE: Install downrod coupler and second downrod before slipping canopy onto downrod.

1. Loosen 4 Allen set screws (C) and remove 33.8mm threaded pin (A) and 34.5mm threaded pin (B) with Allen wrench provided (D).
2. Feed wires through the unthreaded side of the downrod coupler (E) and place it onto the downrod already installed on the fan. Align holes and secure with 33.8mm threaded pin (A). Tighten 2 Allen set screws (C). Do not over-tighten.
3. Feed wires through the threaded side of the second downrod. Thread downrod to the downrod coupler until tight making sure the holes are lined up. Secure with 34.5mm threaded pin (B). Tighten 2 Allen set screws (C). Do not over-tighten.
4. Install the hanger ball onto the downrod, being sure that the cross pin is in the correct position. Tighten the set screw.
5. Carefully lift the motor assembly into position and place the hanger ball into the mounting bracket socket. Make sure the tab on the mounting bracket socket is properly seated in the groove of the hanger ball. Rotate the socket assembly until the ball drops and locks into the hanger bracket screw. The downrod should not rotate if this is done correctly.
6. Follow the steps from your fan's installation instructions to complete installation of your fan.

WARNING: Failure to properly install the cotter pin and/or tighten the screws could result in the fan loosening and possibly falling.

Fig. 3

