

FLUFFY Chandelier & Pendants
 PD-59922 / PD-59933

MODERN FORMS

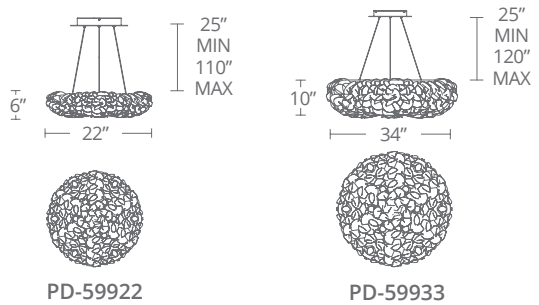


Fixture Type:

Catalog Number:

Project: _____

Location: _____



PRODUCT DESCRIPTION

A soft feathered piece with a heavenly look. Handcrafted of detailed acrylic that emerges into a glowing cluster of interlocking petals with frosted edges. Celestial silk-screened petals diffuse the light with incredible texture around the fixture for a tone on tone style.

FEATURES

- Glowing cluster of interlocked petal shades
- Magnetic tool-free shade installation for easy maintenance
- Thin, powered aircraft cables provide an ultra-clean look for adjustable suspension height
- Rated Life: 50,000 hours
- Color temp: 3000K
- CRI: 90

SPECIFICATIONS

- Construction:** Aluminum
- Light Source:** High output LED
- Dimming:** ELV, TRIAC, 0-10V
- Finish:** Brushed Nickel
- Standards:** ETL & cETL damp location listed, CEC Title 24 compliant

ORDER NUMBER

Model	Diameter	Wattage	Voltage	LED Lumens	Delivered Lumens	Finish
PD-59922	22"	32W	120-277V	2717	2332	BN <i>Brushed Nickel</i> 
PD-59933	33"	42W		3980	3374	

Example: **PD-59922-BN**

modernforms.com	Headquarters/Eastern Distribution Center	Central Distribution Center	Western Distribution Center
Phone (866) 810.6615	44 Harbor Park Drive	1600 Distribution CT.	1750 Archibald Avenue
Fax (800) 526.2585	Port Washington, NY 11050	Lithia Springs, GA 30122	Ontario, CA 91760