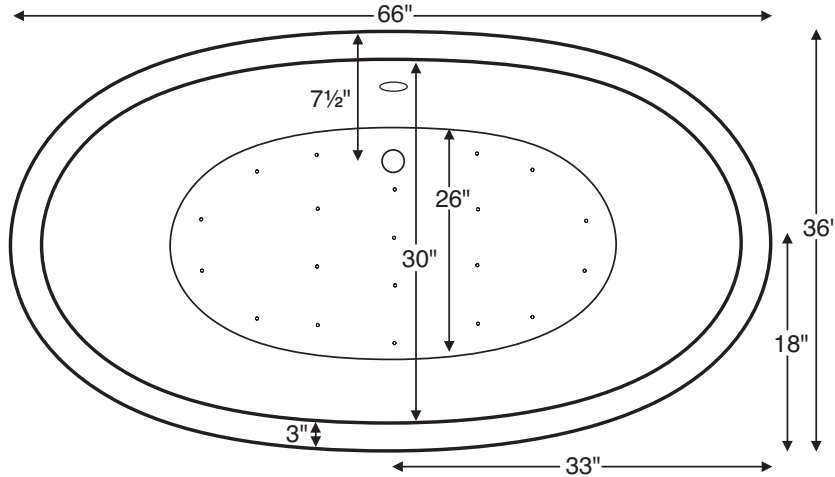


Olivia 1

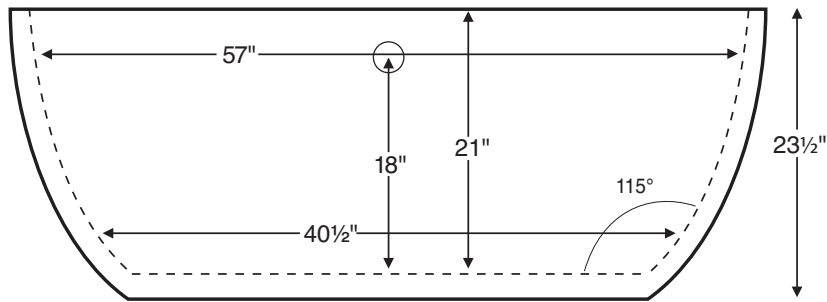
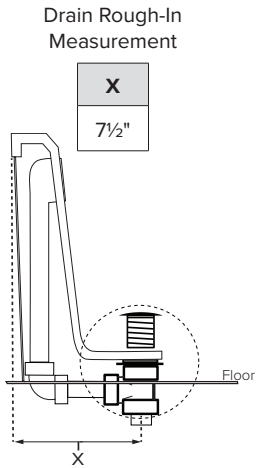


MODEL 147	
66" x 36" x 23.5"	
FREESTANDING 87 gal to overflow	
<b>Acrylic CXL<sup>®</sup></b>	<b>DoloMatte<sup>®</sup></b>
200 lbs / 91 kg	<SOAKER> 225 lbs / 102 kg
Filling this tub to the maximum may require an above average size or dedicated water heater.	



**IMPORTANT:**  
Must have access to the drain from underneath the tub for installation and servicing. Rough in drain pipe directly under the tub drain.

Requires use of a wall-mounted or freestanding tub filler.  
Shown with Air Massage Package.



**ELECTRICAL COMPONENTS & SPECIFICATIONS**

Hydrotherapy Package	Components Included	110V GFCI
Air Massage	heated blower	1-15 amp
Air Massage Elite	heated blower, chromatherapy	1-15 amp

Electrical requirements may change with the addition of optional therapy components.  
See specific option details or installation information.  
CSA Certified C/US; B45.5/IAPMO ANSI Z124.1 and ANSI 112.19.7

See the Installation & Operation Manual for more details.  
MTI's Customer Service: Monday-Friday 8am-6pm EST  
**800-783-8827** or [service@mtibaths.com](mailto:service@mtibaths.com)

**IMPORTANT ORDERING & INSTALLATION INFORMATION:**

- Before ordering or installing, please consider future access to equipment.
- No access panel. Tub features factory-installed overflow with toe tap drain.
- Air baths require job site preparations for remote mounting the blower and required check valve. Check valve must be installed higher than the rim of the tub.
- Hydrotherapy equipment may ship loose for remote installation depending on tub model. See package content on the following page for details.
- Radiance placed on floor locations will affect placement of air jets.
- Faucet valves cannot be installed on this tub model.
- All tubs are in accordance with CSA B45.5/IAPMO Z124 standard and compliant with ASTM C 1028-07 coefficient of friction. DoloMatte meets ANSI A137.1/A326.3 coefficient of friction and AS HB198:2014 pendulum slip resistance testing.

- Before discarding tub packaging, check for accessories that may be packaged inside.
- All product measurements are ±1/2".
- Specifications and configurations are subject to change without notice.
- Measurements herein supersede all others published prior to publication date below.



- Airbath blower ships loose for remote installation on site.
- See the Installation & Operation Manual for more details.

Olivia 1  
MODEL 147  
66" x 36" x 23.5"

Hydrotherapy Packages	Package Contents	Acrylic CXL®		DoloMatte®	
		Part #	MSRP	Part #	MSRP
Soaker	Soaking bath - no jets; includes a pre-leveled foam base and factory-installed overflow with toe-tap drain kit in chrome.	<b>S147</b>	<b>\$10,720</b>	<b>S147DM</b>	<b>\$11,440</b>
Air Massage	20 air jets, heated air blower, pre-leveled foam base and factory-installed overflow with toe-tap drain kit in chrome. Blower and control boxes must be remote located.	<b>AST147</b>	<b>\$14,005</b>	<b>AST147DM</b>	<b>\$14,725</b>
Air Massage Elite	30 air jets, heated air blower, Chromatherapy LED lighting, Spa Mode, pre-leveled foam base and factory-installed overflow with toe-tap drain kit in chrome. Blower, control boxes and Spa Mode keypad must be remote located/mounted.	<b>AE147</b>	<b>\$15,715</b>	<b>AE147DM</b>	<b>\$16,435</b>

RECOMMENDED SENSORY THERAPIES

**Chromatherapy**

(LE) **\$800** underwater lighting  
2 LED lights included

**Audiotherapy**

(STEREOBT) **\$1,390** 2 transducers  
with bluetooth and amplifier  
(BTREMOTE) **\$600** bluetooth remote

(STEREOH202) **\$1,575** 4 transducers  
amplifier not included

**Thermaltherapy**

(RAD100) **\$1,595** Radiance®  
2 heated zones included

**Options** *Must be ordered at time of purchase*

**Standard Colors** White (CWH)

**Textured Bottom** (TXTBTM) Acrylic CXL® only **\$105**  
DoloMatte® exceeds ANSI A137.1/A326.3 and AS HB198 slip tests.

**Accessories**

**Pillows** from **\$180**

**Teak Bath Mat** (TKMAT3018) **\$815**

*Custom sizes also available. Contact MTI for details and pricing.*

**Teak Tub Tray**

Slatted (TK-TRAY1) **\$500** Solid (TK-TRAY2) **\$570**

**Floor-Mounted High-Flow Tub Filler**

Contemporary  
Chrome (FILLC) **\$1,480**  
Brushed Nickel (FILLBN) **\$1,710**

**Faucet Stand** SculptureStone® Standard

<b>Small</b> 3-hole capacity <b>14¼" w x 21¾" h</b> Matte (STAND) <b>\$725</b>	<b>Large</b> 5-hole capacity <b>22" w x 21¾" h</b> Matte (STANDL) <b>\$855</b>
--	--

**+\$430 gloss finish upcharge** (SSGLOSSSNK)

**Drains & Overflow Kits** *Must be ordered at time of purchase*

**Direct Drain Tee Toe Tap with Round Overflow** – PVC Drain Kit

*Overflow is factory-installed*

Chrome (WOTTC) included

Brushed Nickel (WOTTBNU) substitute free of charge

**Finish Upcharge**

White (WOTTWU) **\$35**

Polished Nickel (WOTTPNU) **\$60**

Oil-Rubbed Bronze+ (WOTTORU) **\$65**

Special Finishes+ (WOTTSFU) **\$790**