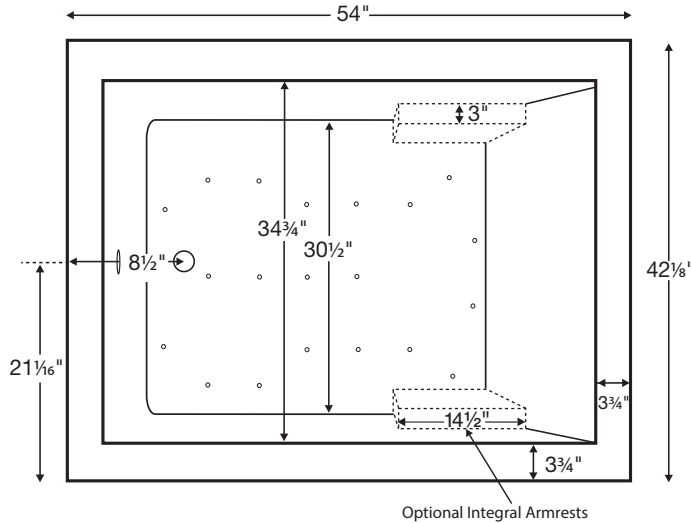




Available as a freestanding model or finished on 1, 2 or 3 sides for various installation applications.

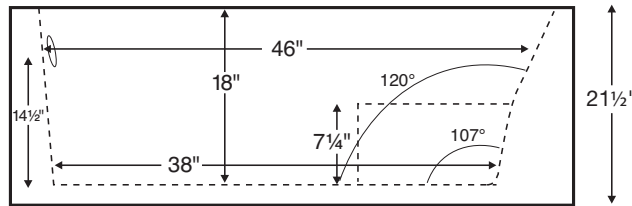
**Andrea® 21**  
with Sculpted Finish®

<b>MODEL 188A</b>	
<b>54" x 42.125" x 21.5"</b>	
FREESTANDING or ALCOVE 51 gal to overflow	
<b>Acrylic CXL®</b>	<b>DoloMatte®</b>
140 lbs / 64 kg	<SOAKER> 158 lbs / 72 kg
Filling this tub to the maximum may require an above average size or dedicated water heater.	



Optional Integral Armrests

The Sculpted Finish process does not allow enough space for mounting fixtures on the tub deck.  
Shown as Air Bath



<b>ELECTRICAL COMPONENTS &amp; SPECIFICATIONS</b>		
Hydrotherapy Package	Components Included	GFCI/110V
<b>Microbubbles</b>	Microbubbles pump	1-15 amp
<b>Air Massage</b>	heated blower	1-15 amp
<b>Microbubbles with Air</b>	Microbubbles pump, heated blower	1-20 amp
<b>Air Massage Elite</b>	heated blower, chromatherapy	1-15 amp
<b>Microbubbles with Air Elite</b>	Microbubbles pump, heated blower, chromatherapy	2-15 amp

Electrical requirements may change with the addition of optional therapy components. See specific option details or installation information, CSA Certified C/US; B45.5/IAPMO ANSI Z124.1 and ANSI 112.19.7

**IMPORTANT ORDERING & INSTALLATION INFORMATION**

- Before ordering or installing, please consider future access to equipment.
- Unless ordering Sculpted Finish on 4 sides, please include a diagram specifying which sides will need to be finished, along with location of optional tile flange(s).
- Overflow is factory installed for provided toe tap drain.
- When ordering an air bath, the air blower must be remote mounted.
- Microbubbles system components must be installed on a non-Sculpted Finish side. Components will extend beyond the perimeter of the tub. Call MTI for specific details regarding the desired installation before placing the order.
- Radiance placed on floor locations will affect placement of air jets.
- Hydrotherapy equipment may ship loose for remote installation. See package content on the following page for details.
- Faucet valves cannot be installed on this tub model.
- All tubs are compliant with ASTM C 1028-07 coefficient of friction. DoloMatte meets ANSI A137.1/A326.3 coefficient of friction and AS HB198:2014 slip tests.

See the Installation & Operation Manual for more details.  
MTI's Customer Service: Monday-Friday 8am-6pm EST  
**800-783-8827** or [service@mtibaths.com](mailto:service@mtibaths.com)

• Options and accessories may be packaged inside the tub crate. Always check packaging before discarding.  
• All product measurements are ±1/2".  
• Specifications and configurations are subject to change without notice.  
• Measurements herein supersede all others published prior to publication date below.



Andrea® 21  
with Sculpted Finish®  
MODEL 188A  
54" x 42.125" x 21.5"

Hydrotherapy Packages	Package Contents	Sculpted Finish Sides	Acrylic CXL®		DoloMatte®	
			Part #	MSRP	Part #	MSRP
Soaker	Soaking bath - no jets, pre-leveled foam base, factory installed rectangular overflow with toe tap drain	4-sides sculpted	<b>S188A4</b>	<b>\$8,545</b>	<b>S188D4</b>	<b>\$9,625</b>
		3-sides sculpted	<b>S188A3</b>	<b>\$7,900</b>	<b>S188D3</b>	<b>\$8,845</b>
		2-sides sculpted	<b>S188A2</b>	<b>\$6,365</b>	<b>S188D2</b>	<b>\$7,175</b>
		1-side sculpted	<b>S188A1</b>	<b>\$5,990</b>	<b>S188D1</b>	<b>\$6,665</b>
Microbubbles	1 infusion port, microbubbles pump, pre-leveled foam base, factory installed rectangular overflow with toe tap drain	4-sides sculpted	n/a	n/a	n/a	n/a
		3-sides sculpted	<b>M188A3</b>	<b>\$10,890</b>	<b>M188D3</b>	<b>\$11,835</b>
		2-sides sculpted	<b>M188A2</b>	<b>\$9,355</b>	<b>M188D2</b>	<b>\$10,165</b>
		1-side sculpted	<b>M188A1</b>	<b>\$8,980</b>	<b>M188D1</b>	<b>\$9,655</b>
Air Massage	20 air jets, heated air blower, pre-leveled foam base, factory installed rectangular overflow with toe tap drain	4-sides sculpted	<b>AST188A4</b>	<b>\$11,830</b>	<b>AST188D4</b>	<b>\$12,910</b>
		3-sides sculpted	<b>AST188A3</b>	<b>\$11,185</b>	<b>AST188D3</b>	<b>\$12,130</b>
		2-sides sculpted	<b>AST188A2</b>	<b>\$9,650</b>	<b>AST188D2</b>	<b>\$10,460</b>
		1-side sculpted	<b>AST188A1</b>	<b>\$9,275</b>	<b>AST188D1</b>	<b>\$9,950</b>
Air Massage Elite	30 air jets, heated air blower, Chromatherapy LED lighting, Spa Mode, pre-leveled foam base, factory installed rectangular overflow with toe tap drain	4-sides sculpted	<b>AE188A4</b>	<b>\$13,540</b>	<b>AE188D4</b>	<b>\$14,620</b>
		3-sides sculpted	<b>AE188A3</b>	<b>\$12,895</b>	<b>AE188D3</b>	<b>\$13,840</b>
		2-sides sculpted	<b>AE188A2</b>	<b>\$11,360</b>	<b>AE188D2</b>	<b>\$12,170</b>
		1-side sculpted	<b>AE188A1</b>	<b>\$10,985</b>	<b>AE188D1</b>	<b>\$11,660</b>
Microbubbles with Air Massage	1 infusion port, microbubbles pump, 20 air jets, heated air blower, pre-leveled foam base, factory installed rectangular overflow with toe tap drain	4-sides sculpted	n/a	n/a	n/a	n/a
		3-sides sculpted	<b>ASTM188A3</b>	<b>\$13,635</b>	<b>ASTM188D3</b>	<b>\$14,580</b>
		2-sides sculpted	<b>ASTM188A2</b>	<b>\$12,100</b>	<b>ASTM188D2</b>	<b>\$12,910</b>
		1-side sculpted	<b>ASTM188A1</b>	<b>\$11,725</b>	<b>ASTM188D1</b>	<b>\$12,400</b>
Microbubbles with Air Massage Elite	1 infusion port, microbubbles pump, 30 air jets, heated air blower, Chromatherapy LED lighting, Spa Mode, pre-leveled foam base, factory installed rectangular overflow with toe tap drain	4-sides sculpted	n/a	n/a	n/a	n/a
		3-sides sculpted	<b>AEM188A3</b>	<b>\$15,255</b>	<b>AEM188D3</b>	<b>\$16,200</b>
		2-sides sculpted	<b>AEM188A2</b>	<b>\$13,720</b>	<b>AEM188D2</b>	<b>\$14,530</b>
		1-side sculpted	<b>AEM188A1</b>	<b>\$13,345</b>	<b>AEM188D1</b>	<b>\$14,020</b>

**Microbubbles system components must be installed on a non-Sculpted Finish® side.**

**Components will extend beyond the perimeter of the tub. Call MTI for specific details regarding the desired installation before placing order.**

For more customized applications, additional hydrotherapies may possibly be integrated in Sculpted Finish® tubs, depending on the types of therapy and the installation application. Visit [mtibaths.com](http://mtibaths.com) or call MTI at 800.783.8827.

RECOMMENDED SENSORY THERAPIES

**Chromatherapy**

(LE) **\$800** underwater lighting  
2 LED lights included

**Audiotherapy**

(STEREOBT) **\$1,390** 2 transducers with bluetooth and amplifier  
(BTREMOTE) **\$600** bluetooth remote

(STEREOH202) **\$1,575** 4 transducers  
amplifier not included

**Thermaltherapy**

(RAD100) **\$1,595** Radiance®  
2 heated zones included



For more information on options and accessories go to Acrylic Tub Options on mtibaths.com

Andrea® 21 with Sculpted Finish®  
MODEL 188A

<b>Options</b> <i>Must be ordered at time of purchase.</i>	
<b>Standard Color</b> White (CWH) gloss Acrylic CXL, matte DoloMatte	
<b>Textured, Slip-Resistant Bottom</b> (TXTBTM) <b>\$105</b> DoloMatte® exceeds ANSI A137.1/A326.3 and AS HB198 slip tests.	
<b>Ozonator</b> (OZONE) <b>\$515</b>	
<b>Integral Armrests</b> - 1 pair (INTARM) <b>\$140</b> end drain tub models	
<b>Installation Options</b> <i>Must be ordered at time of purchase.</i>	
<b>Tile Flange</b> Factory Installed rigid ABS	
1 Side (TFK1) <b>\$175</b>	<b>IMPORTANT:</b> <i>Must specify flange location(s) on order of Factory-Installed Flange.</i>
2 Sides (TFK2) <b>\$185</b>	
3 Sides (TFK3) <b>\$200</b>	
Field Install Kit (TFKNI) <b>\$185</b> Includes rigid ABS & adhesive	

<b>Accessories</b>	
<b>Pillows</b> from <b>\$180</b>	
<b>Teak Bath Mat</b> (TKMAT3018) <b>\$815</b> <i>Custom sizes also available. Contact MTI for details and pricing.</i>	
<b>Teak Tub Tray</b> Slatted (TK-TRAY1) <b>\$500</b> Solid (TK-TRAY2) <b>\$570</b>	
<b>Teak Seat</b> (TK-REMSEAT) <b>\$660</b> For use with armrests only.	
<b>Floor-Mounted High-Flow Tub Filler</b> Contemporary Chrome (FILLC) <b>\$1,480</b> Brushed Nickel (FILLBN) <b>\$1,710</b>	

**Drains & Overflow Kits** *Must be ordered at time of purchase*

**Toe Tap with Rectangular Overflow** – PVC Drain Kit  
*Overflow is factory installed*  
Chrome (WOTRC) included  
Brushed Nickel (WOTRBNU) substitute free of charge  
White (WOTRWU) **\$55** finish upcharge

**Brass Body for Rectangular Overflow with Toe Tap**  
(WOTRSBU) **\$480** upcharge

**Slim-Line Overflow with Toe Tap Drain** *Must be ordered at time of purchase*

- May upgrade rectangular overflow to Slim-Line Overflow
- Low profile overflow is factory installed
- Overflow measures 4.5" x 1"
- Provides a deeper soak
- Not available for commercial applications

**Slim-Line Overflow with Toe Tap Drain**  
PVC Drain  
Chrome (SLOTC) **\$500**  
Brushed Nickel (SLOTBN) **\$530**  
Polished Nickel (SLOTPN) **\$555**  
White (SLOTW) **\$430**

**Slim-Line Overflow with Toe Tap Drain**  
Solid Brass Drain  
Chrome (SLOTSBC) **\$930**  
Brushed Nickel (SLOTSBBN) **\$935**  
Polished Nickel (SLOTSBPN) **\$935**  
White (SLOTSBW) **\$965**



Rectangular overflow included



Optional Slim-Line overflow