



---

## ASSEMBLY AND MOUNTING INSTRUCTIONS

---

### GENERAL

---

- **WARNING-DISCONNECT POWER BEFORE RELAMPING OR WIRING THE FIXTURE. TURN OFF THE ENTIRE ELECTRICAL CIRCUIT TO WHICH THE LIGHTING FIXTURE IS ATTACHED**
- INSTALLATION AND MAINTENANCE OF THIS FIXTURE SHOULD BE COMPLETED BY A LICENSED ELECTRICIAN
- **FAILURE TO INSTALL FIXTURE CORRECTLY COULD RESULT IN SERIOUS INJURY OR DEATH**
- READ ALL INSTRUCTIONS BEFORE STARTING INSTALLATION.
- IF AN EXISTING FIXTURE IS BEING REPLACED, REMOVE IT AND NOTE TO WHICH WIRE IN THE OUTLET BOX THE ORIGINAL FIXTURE WAS ATTACHED.
- BEFORE DISCARDING THE CARTON DOUBLE CHECK THE PACKAGING TO MAKE SURE ALL PARTS HAVE BEEN FOUND.
- THIS FIXTURE WAS DESIGNED TO BE MOUNTED TO AN OCTAGON OUTLET BOX. THE BOX MUST BE SECURELY MOUNTED TO THE STRUCTURE OF THE BUILDING.

---

### INSTALLATION

---

- STEP 1.** Thread the wire through stems and twist tightly onto body. Keep adding additional stems required.
- STEP 2.** Slide in the canopy to the stem. And thread the swivel into the top end of the stem set.
- STEP 3.** Pull the wires out from the outlet box, and install mounting plate onto the outlet box using the (2) mounting screws. Strip the fixture wires ½" long at the ends.
- STEP 4.** Trim excess wire to min 6" beyond stem, strip to 5/8" and twist.
- STEP 5.** Fasten bare ground wire to ground wire from the wall outlet box (usually green or copper color) or connect ground wire to green screw on the mounting plate.
- STEP 6.** Connect the neutral (white) fixture wire coming from the fixture base to neutral (usually white) outlet wire. Fasten both wires together with a plastic wire nut and tightly wrap the wire nut with electrical tape.
- STEP 7.** Repeat the previous step with the hot (black wires). Make sure there are no exposed wires or strands that could cause a dangerous short circuit.  
**FAILURE TO CONNECT THE APPROPRIATE WIRES CORRECTLY COULD RESULT IN SERIOUS INJURY OR DEATH!**
- STEP 8.** Carefully place connections back into the outlet box.
- STEP 9.** Mount the canopy to the mounting plate and secure with mounting nuts.
- STEP 10.** Hang the shade on the ring.
- STEP 11.** Install the lamps. The fixture is rated for 60-watt type A lamp. **DO NOT EXCEED RECOMMENDED WATTAGE!**
- STEP 12.** Push the fabric diffuser into the bottom of shade.
- STEP 13.** Lift the metal plate to the diffuser then secure with finial.
- STEP 14.** Restore power to the circuit at breaker or fuse box.

---

### DIMMING

---

The fixture can be controlled by a wall dimming device. Only use triac/electronic dimmer. Make sure carton is marked for use with LED compact fluorescent-incandescent light source only. These can be

provided by your local electrical distributor, home center, or hardware store.

---

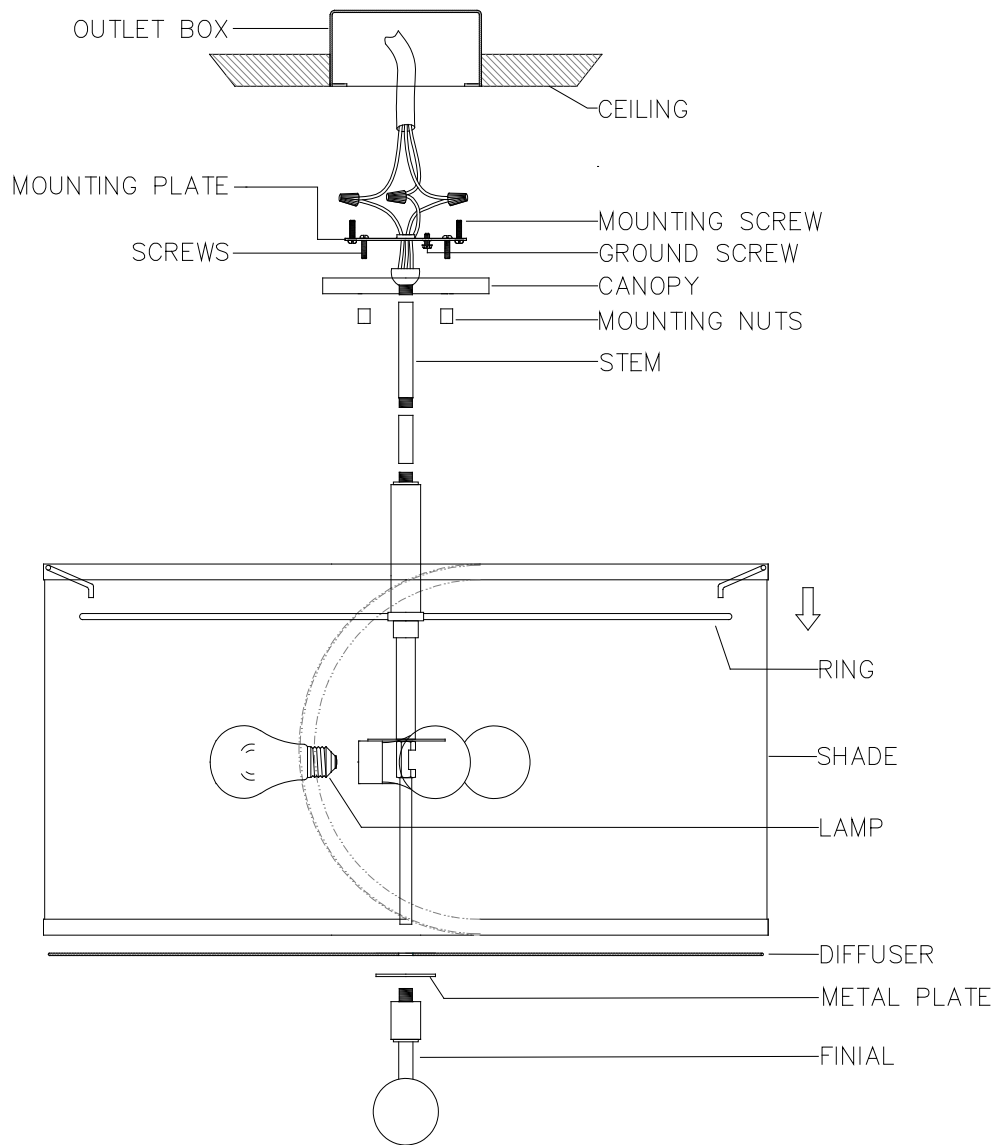
### CLEANING

---

Please clean with a soft, dry cloth ONLY! Do not use cleaning products.



**ASSEMBLY AND MOUNTING DIAGRAM**



**WIRE NUT/TAPING DIAGRAM**

