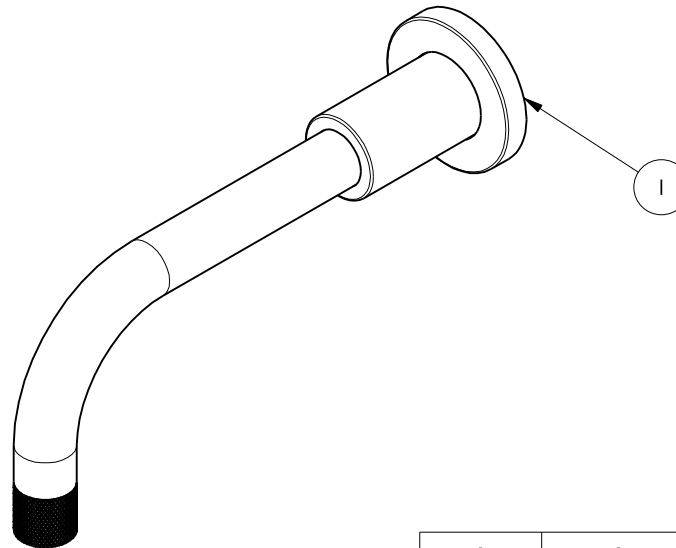
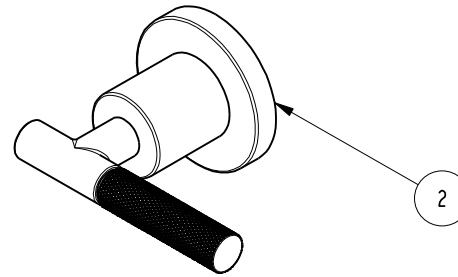
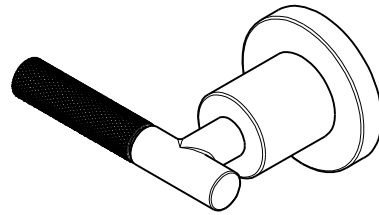


NOTES:

- (NI) 1. FIT / FORM / FUNCTION SHALL FOLLOW PS-E.008.

BILL OF MATERIAL (CURRENT LEVEL)

ITEM	PT/ASSY	DESCRIPTION	TYPE	QTY.
1	3-695	W/M TUB SPOUT W/ESC.	ASSEMBLY	1
2	3-692	LEVER HANDLE W/ESC.	ASSEMBLY	2



COPYRIGHT 2005 BRASSTECH, INC. THESE DRAWINGS AND THE DESIGNS DEPICTED HEREIN ARE THE PROPRIETARY PROPERTY OF BRASSTECH. ANY USE OR REPRODUCTION IS SUBJECT TO THE EXPRESS APPROVAL OF BRASSTECH. UNAUTHORIZED USE IS STRICTLY PROHIBITED. ALL RIGHTS RESERVED.

TESTING	ASSEMBLY	PLATING	POLISHING	MACHINING	TOOLING FIXTURE #	APPLICATION
-	-	-	-	-	-	REMOVE ALL BURRS AND SHARP EDGES
-	-	-	-	-	NEXT ASSY	USED ON

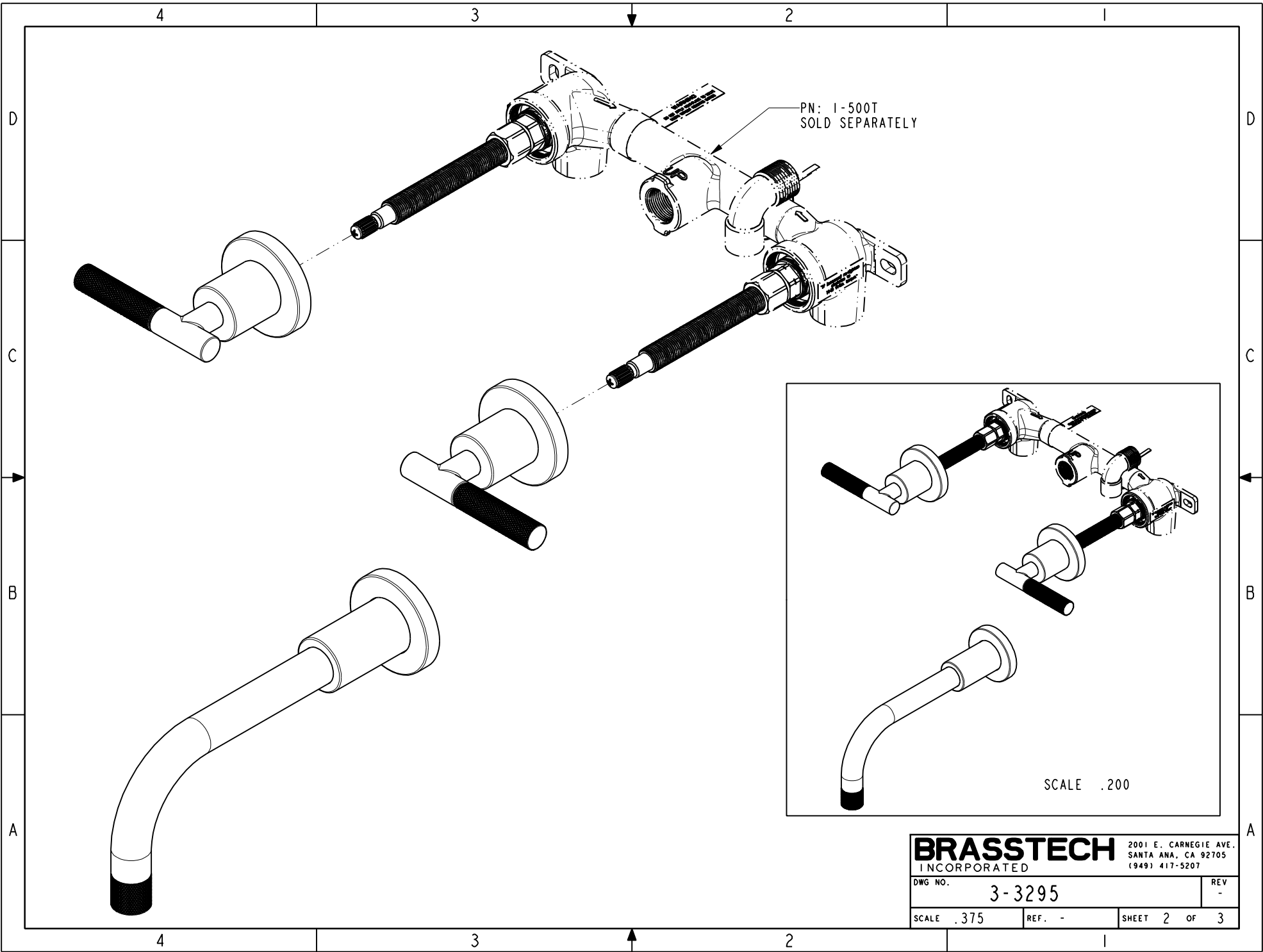
UNITS ARE: INCHES [MM]		
TOLERANCES ARE:		
FRACTIONS DECIMALS	ANGLES	
±1/16"	.X ±.1 [2,5]	±1°
	.XX ±.06 [1,5]	
(X.XXX) DENOTES CRITICAL DIMS. ALL THREADS ARE CRITICAL		
DRAWN	JINSON	05/11/20
CHECKED	J.M.	05/11/20
APPROVED	J.M.	05/11/20

**BRASSTECH** 2001 CARNEGIE AVE. SANTA ANA, CA 92705 (949) 417-5207  
INCORPORATED

WALL MOUNT TUB FAUCET

DWG NO.	3-3295	REV	-
SCALE	.375	REF.	-
SHEET	1	OF	3

ZONE	REV	DESCRIPTION	DATE	APPROVED
-	-	EN-4115	05/11/20	J.M.



NOTES:

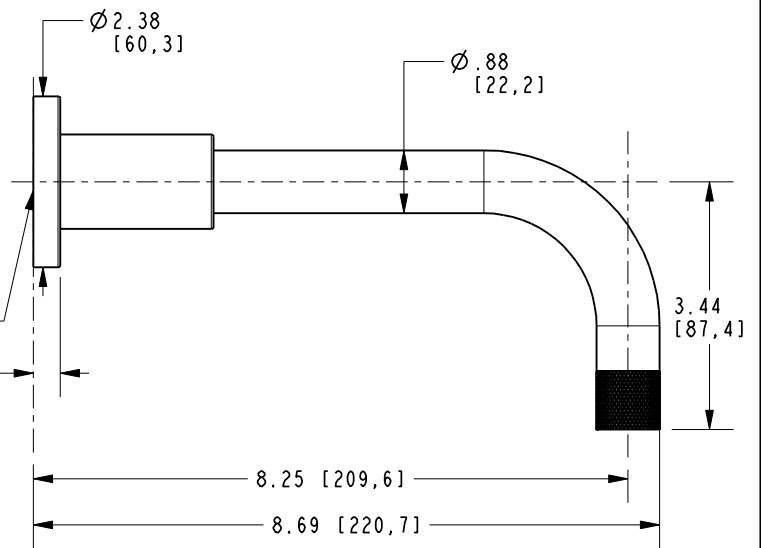
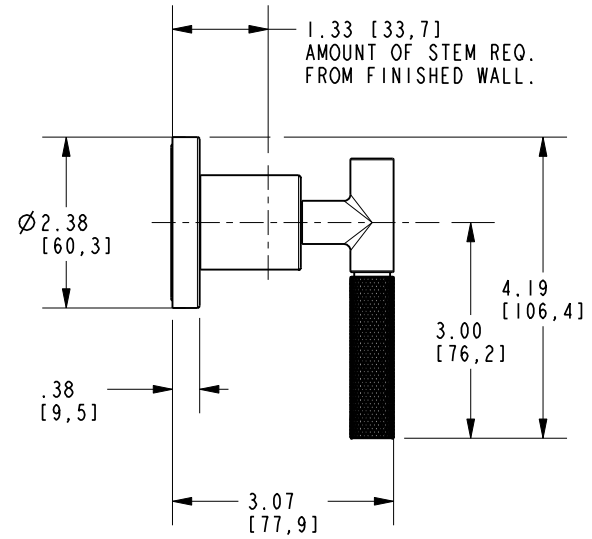
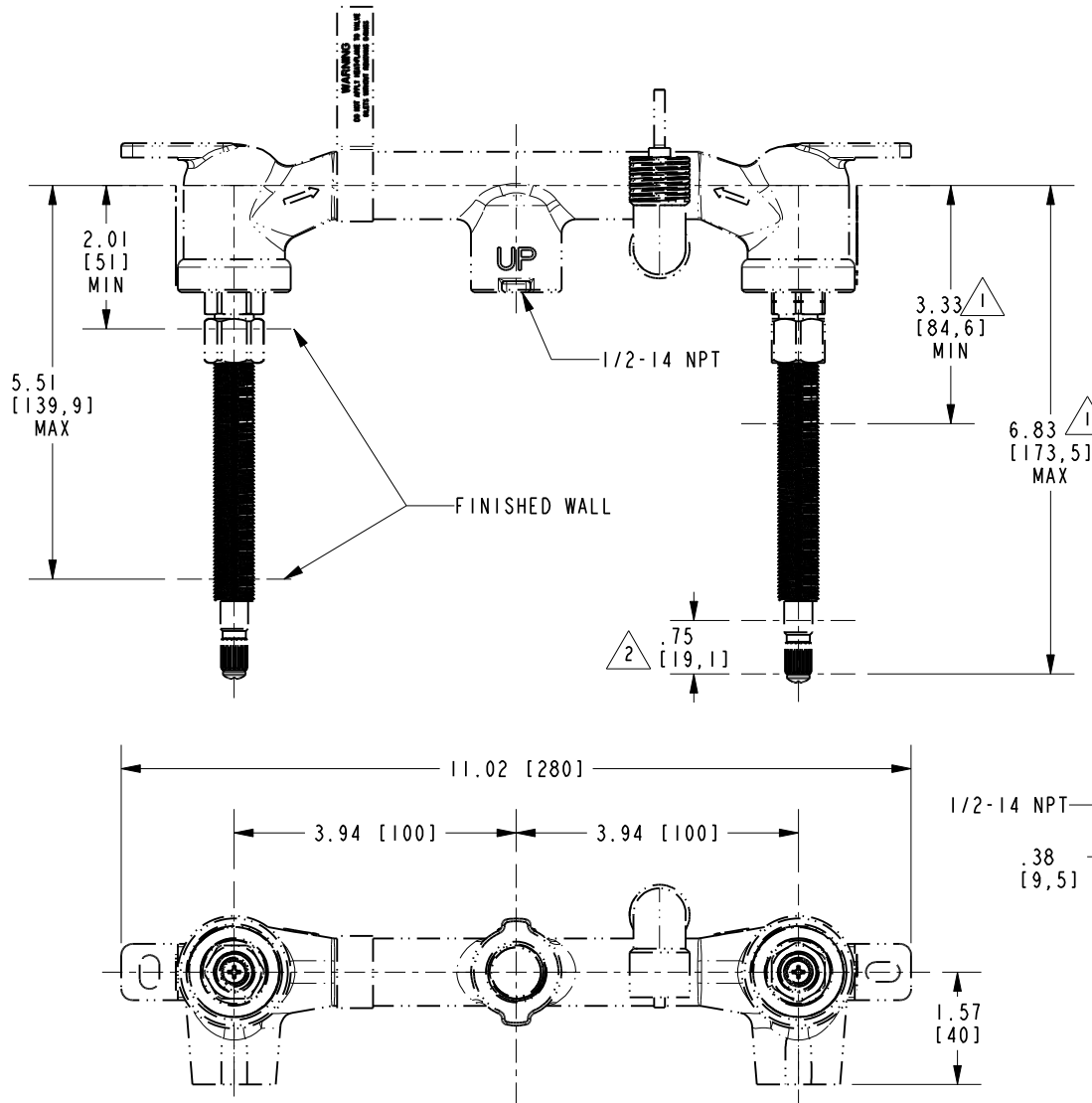
- 1. CUT STEM AS SHOWN.
- 2. CUT ALL THREADS 0.75" SHORTER THAN STEM

D

C

B

A



D

C

B

A

<b>BRASSTECH</b>		2001 E. CARNEGIE AVE. SANTA ANA, CA 92705 (949) 417-5207
DWG NO.	3-3295	REV -
SCALE .375	REF. -	SHEET 3 OF 3

4

3

2

1

4

3

2

1