

4

3

2

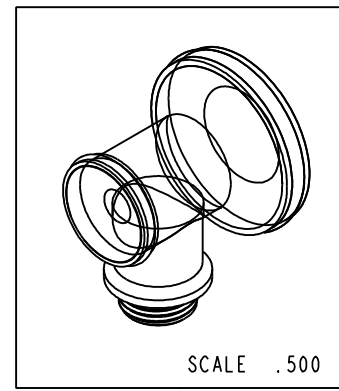
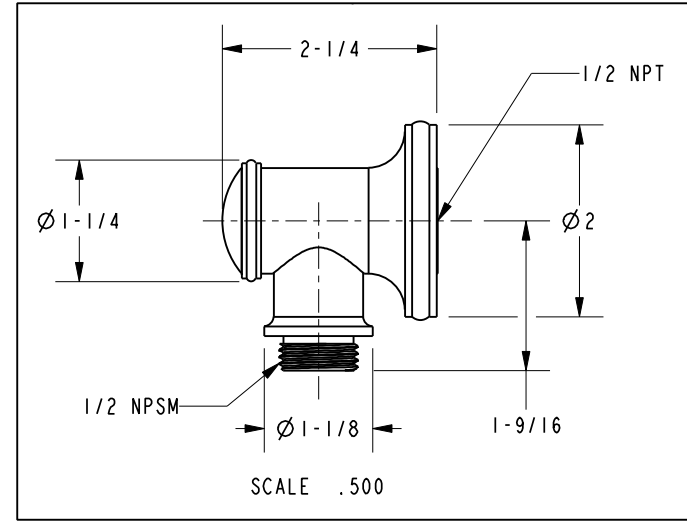
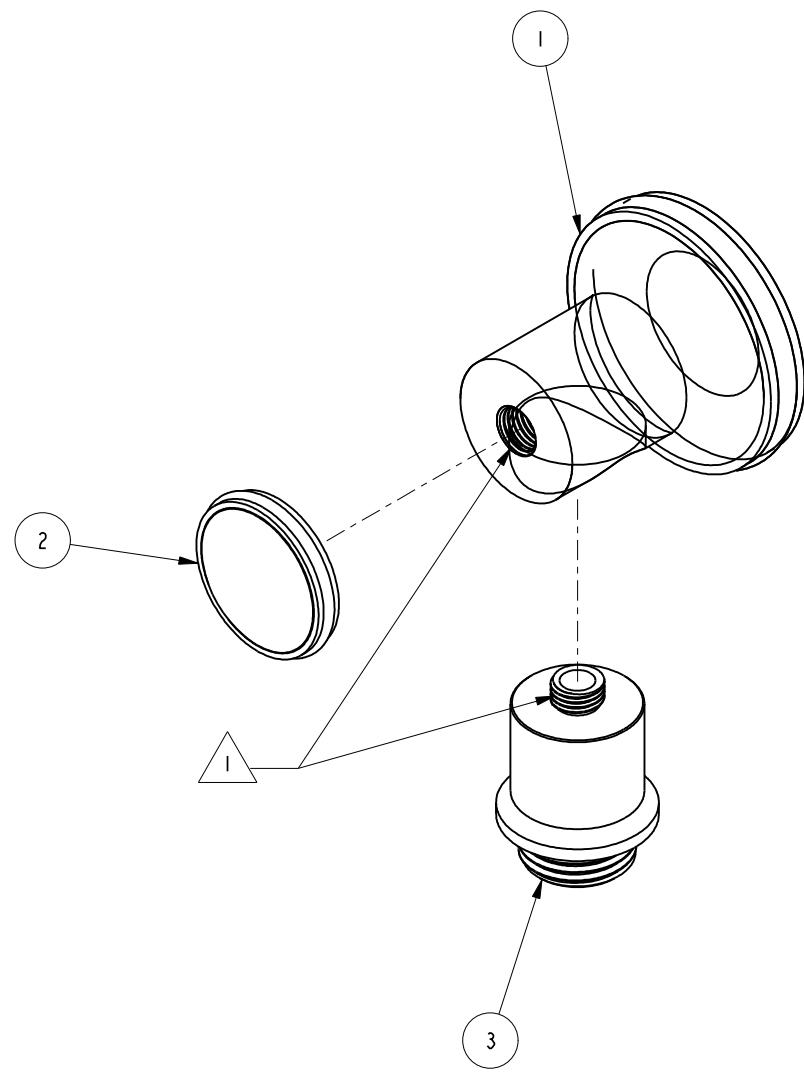
1

NOTES:

1. APPLY ADHESIVE LOCTITE 680 OR EQUIVALENT.

BILL OF MATERIAL (CURRENT LEVEL)

ITEM	PT/ASSY	DESCRIPTION	TYPE	QTY.
1	80181	SUPPLY ELBOW BODY	PART	1
2	80183	SUPPLY ELBOW CAP	PART	1
3	80182	CONNECTOR	PART	1



COPYRIGHT 2005 BRASSTECH, INC. THESE DRAWINGS AND THE DESIGNS DEPICTED HEREIN ARE THE PROPRIETARY PROPERTY OF BRASSTECH. ANY USE OR REPRODUCTION IS SUBJECT TO THE EXPRESS APPROVAL OF BRASSTECH. UNAUTHORIZED USE IS STRICTLY PROHIBITED. ALL RIGHTS RESERVED.

BRASSTECH
INCORPORATED

2001 E. CARNEGIE AVE.
SANTA ANA, CA 92705
(949) 417-5207

SUPPLY ELBOW ASM

ASSY. NO.	A	EN-1735	06/10/11
285-3	-	EO-0743	09/22/06
SCALE .750	REF. -	SHEET 1 OF 2	REV REV DESC DATE

4

3

2

1