

Towel Ring
2540-1410

Features

- Solid brass construction
- Double-post design with rigid, outwardly curved bar
- Complements Metro product series

Codes / Standards Compliance

Meets or exceeds the following at date of manufacture:

- All applicable US Federal and State material regulations

Colors / Finishes

- 10B: Oil Rubbed Bronze
- 15: Polished Nickel
- 15S: Satin Nickel - PVD
- 26: Polished Chrome
- Other: Refer to the Newport Brass catalog for additional color/finish options.



Specified Model

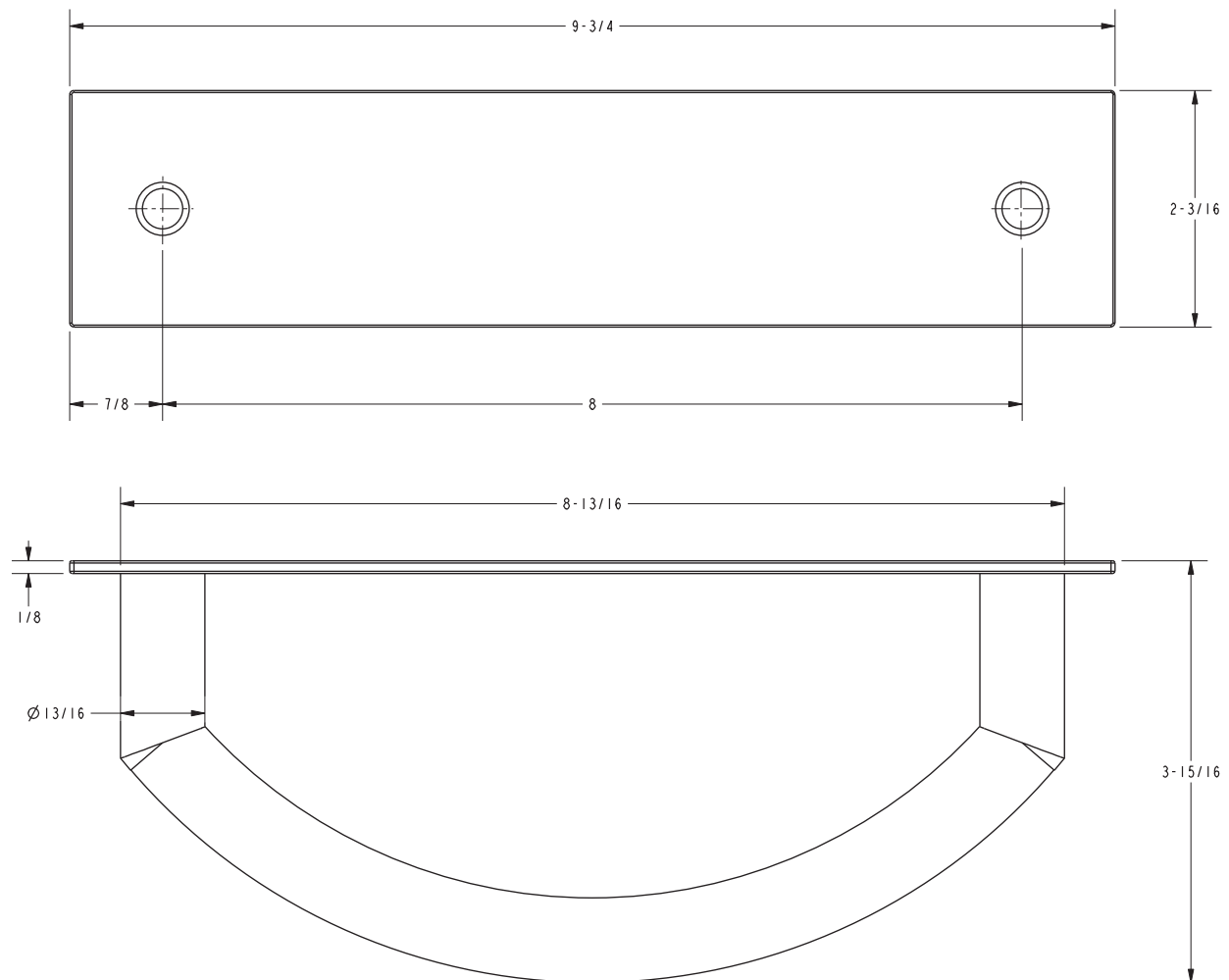
Model	Description	Colors Finishes				
2540-1410	Towel Ring	<input type="checkbox"/> 10B	<input type="checkbox"/> 15	<input type="checkbox"/> 15S	<input type="checkbox"/> 26	<input type="checkbox"/> Other

Product Specification Add "Color / Finish" suffix to Model number, below.

The Towel Ring shall be made of solid brass construction and incorporate a double-post design with rigid, outwardly curved bar. Towel Ring shall complement Newport Brass Metro product series. Towel Ring shall be Newport Brass Model 2540-1410/____.

2540-1410

PRODUCT DIMENSIONS *(Units are in inches)*



Metro Towel Ring
2540-1410

NEWPORT BRASS
Flawless Beauty. From Faucet to Finish.™