

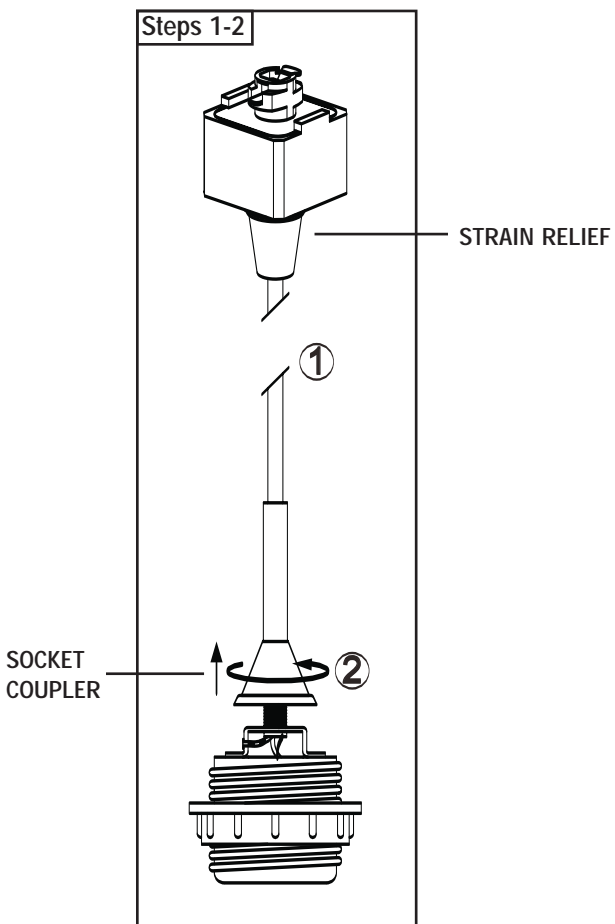
# Installation Instructions

\*\*\*URGENT: READ PRIOR TO ATTEMPTING INSTALLATION\*\*\*

## TRACK PENDANT FOR NTF-163 & NTH-161

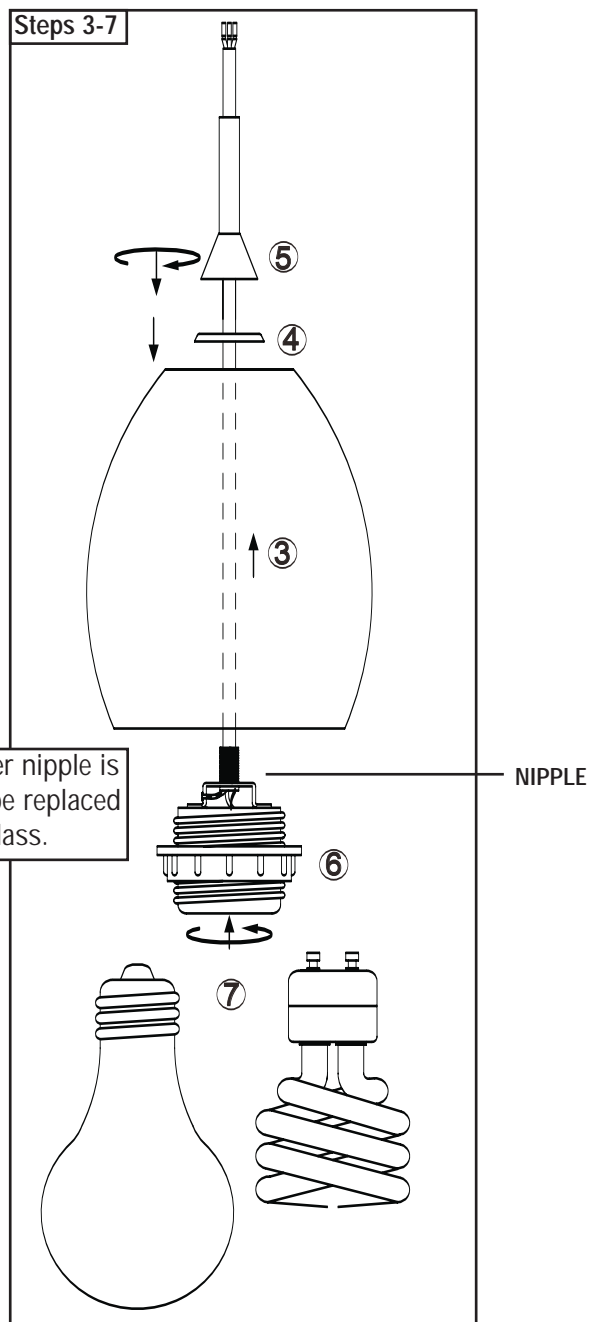
ALWAYS TURN OFF MAIN POWER BEFORE INSTALLATION

Item#	Description	Rating
NTF-163	Track Mount Pendant	26W GU24 CFL Max.
NTH-161	Track Mount Pendant	100W Incandescent Max.



### Steps 1-2

1. Cut pendant cord near strain relief. Cut cord to desired length.
2. Remove socket coupler and washer from the socket assembly.



### Steps 3-7

3. Pull pendant cord up through bottom of glass and out the top.
4. Replace washer over nipple.
5. Retighten coupler onto nipple, make sure glass shade is level.
6. Secure glass shade with threaded collar, making sure socket is level.
7. Screw lamp into socket.

INSTALLATION SHOULD BE CARRIED OUT BY YOUR LOCAL ELECTRICIAN.

# Installation Instructions

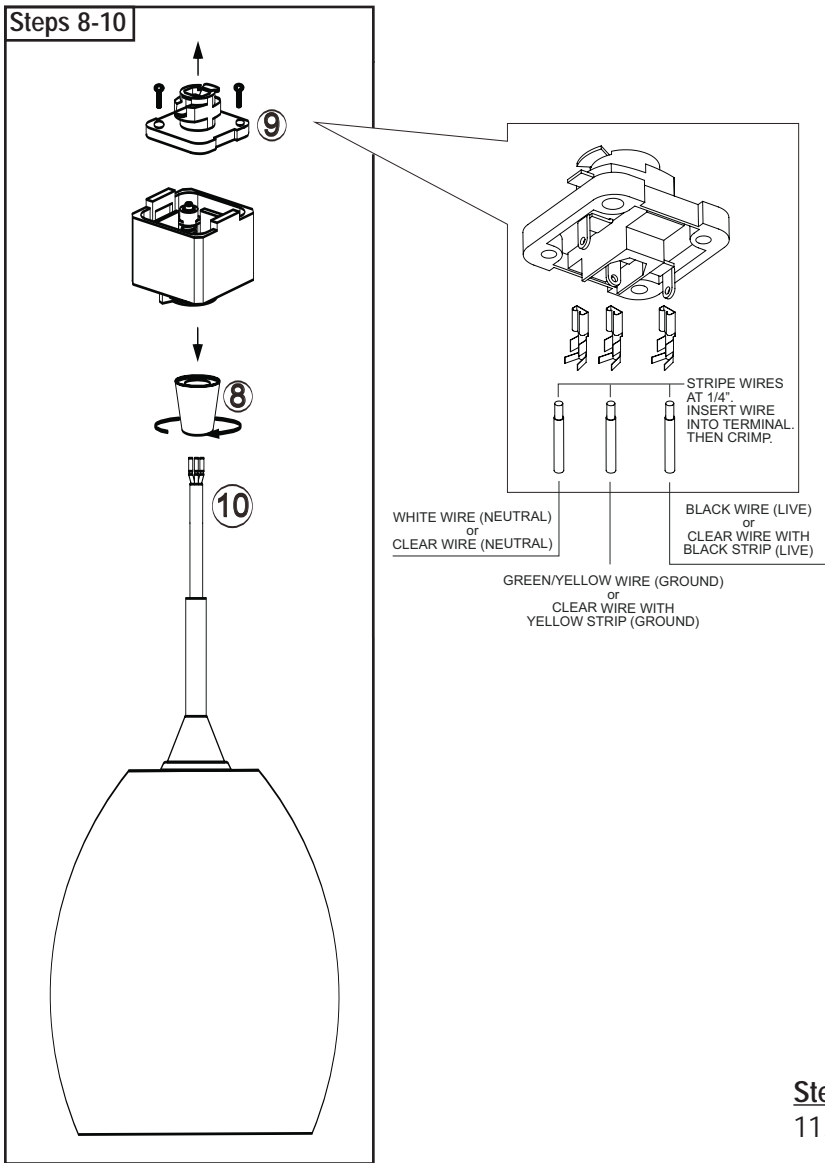
\*\*\*URGENT: READ PRIOR TO ATTEMPTING INSTALLATION\*\*\*

## TRACK PENDANT FOR NTF-163 & NTH-161

ALWAYS TURN OFF MAIN POWER BEFORE INSTALLATION

Item#	Description	Rating
NTF-163	Track Mount Pendant	26W GU24 CFL Max.
NTH-161	Track Mount Pendant	100W Incandescent Max.

### Steps 8-10

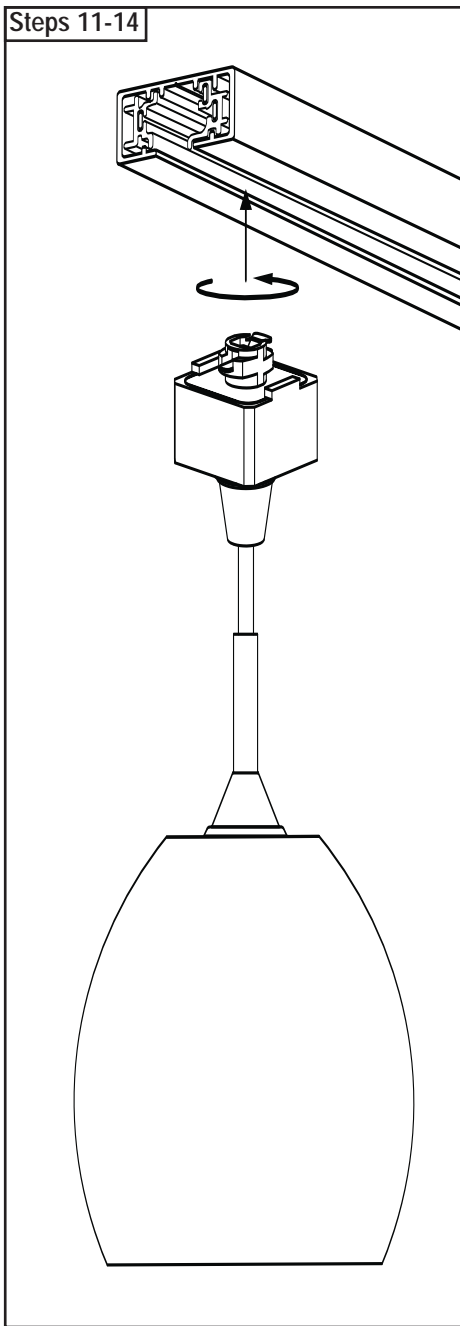


### Steps 8-10

8. Remove strain relief, and place over pendant cord.
9. Remove screws from track adapter and lift contact plate.
10. Pull pendant cord up through the open track adapter and attach gold leads (provided) to ends of pendant cord wire.

**Note:** Make sure the pendant cord is at your desired length.

### Steps 11-14



### Step 11-14

11. Match the polarity line on the fixture to the polarity groove on track.
12. Turn the fixture counter-clockwise until the contact head can be inserted into the track.
13. Push fixture straight into track.
14. Rotate contact head adapter clockwise until it locks into place.

INSTALLATION SHOULD BE CARRIED OUT BY YOUR LOCAL ELECTRICIAN.