

NATL-5030HW / NATL-5060HW / NATL-5100HW
24V Class II Hardwire Electronic Drivers

PRODUCT DESCRIPTION

24V enclosed driver to be used with Nora Lighting's 24 Volt systems requiring a Class II driver.

FEATURES

- Non-dimmable
- Conduit access wiring compartment
- Meet Class II output limits
- 24V DC rated output
- Includes 10' power line connector (NALTL-10)
- cULus listed enclosure & cULus recognized driver

ELECTRICAL

Input Voltage: 100-240V

Output Voltage: 24VDC

Dimming: Non-Dimmable

OPTIONAL ACCESSORIES

NALTL-10: 10' power line connector (included)

NALTL-30: 30' power line connector

NATL-302: Power line splitter, black cable. Splits power line connector into two separate connections.

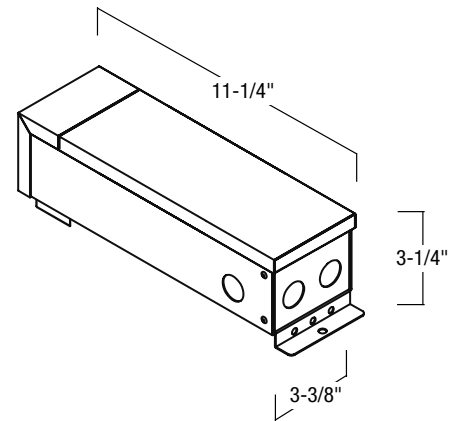
NATL-302W: Power line splitter, white cable. Splits power line connector into two separate connections.

LABELS AND LISTINGS

- cULus Listed Enclosure
- cULus Recognized Driver



PRODUCT IMAGES AND DIMENSIONS



24V Class II Hardwire Electronic Driver

Catalog No. _____

NATL-5030HW = 24V / 30W / Class II Hardwire Electronic Driver

NATL-5060HW = 24V / 60W / Class II Hardwire Electronic Driver

NATL-5100HW = 24V / 100W / Class II Hardwire Electronic Driver

Optional Accessories

Catalog No. _____

NALTL-10 = 10' Power Line Connector (included w/each driver)

NALTL-30 = 30' Power Line Connector

NATL-302 = Power Line Splitter, Black

NATL-302W = Power Line Splitter, White

NALTL-10 / NALTL-30
Power Line Connector (10' included)

NATL-302
Power Line Splitter



Example: **NATL-5100HW** = 24V / 100W / Class II Hardwire Electronic Driver