

# NIO-1RNG

## 1" Iolite NTF Round Reflector

Source: 9W or 10W LED  
600lm

Type

Project

Catalog No.

Notes

### PRODUCT DESCRIPTION

1" Iolite NTF reflectors can be specified for use with Iolite new construction housings. Straight reflector with sharp edge optimizes visual cut-off.

### FEATURES

- 600lm / 9W or 10W
- 2700K, 3000K, 3500K, 4000K, 5000K @ 90+ CRI
- Cree® LED COB or Comfort Dim Technology
- 60° (Flood) optic installed, 40° (Narrow flood) and 20° (Spot) optics included
- 5-Year limited warranty

### SPECIFICATION

**Construction:** Reflectors are constructed of heat dissipating, die-cast aluminum. The aluminum die-cast LED heat sink is threaded to fit the reflector and transfer heat.

**Mounting:** Reflector includes friction blades to mount securely to housing.

**Field Changeable Optics:** Each reflector comes with a 60° (installed), 40° and 20° optics (included).

### ELECTRICAL

**Lumens / Wattage:** 600lm / wattage varies by housing (9W / LE3 or 10W / LE4)

**Color Temperature:** 2700K, 3000K, 3500K, 4000K, 5000K

**CRI:** 90+CRI

**Operating Temp.:** 0°C to 40°C ambient temperature

**Lifetime:** 50,000 hours @ L70

**Comfort Dim:** Comfort Dim color tunes the temperature from a bright 3100K, to a romantic and comfortable 2000K on a gradual, even curve.

**Dimming:** Specified by housing

### COMPATIBLE HOUSINGS

Reflectors are compatible with respective Iolite housings manufactured by Nora Lighting.

CATALOG NO.	DESCRIPTION	LUMENS / WATTAGE
NH10ICD-16LE3	ICAT New Construction, 120V; Triac/ELV	600lm / 9W
NH10ICD-16LE4	ICAT New Construction, 120-277V; Triac/ELV/0-10V	600lm / 10W
NH10ICDCP-16LE3	Chicago Plenum, 120V; Triac/ELV	600lm / 9W
NH10ICDCP-16LE4	Chicago Plenum, 120-277V; Triac/ELV/0-10V	600lm / 10W

**Accessories:** Reflectors will accommodate (1) hex louver and (1) translucent deco collar or opaque snoot, no accessory holder is required, see accessories page.

### LABELS AND LISTINGS

- cULus Listed for Wet Locations
- ENERGY STAR certified
- [5-Year Limited Warranty](#)
- RoHS Compliant
- Can be used to comply with 2019 Title 24 - part 6 High Efficacy LED light source requirements



### PRODUCT IMAGES & DIMENSIONS



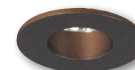
1-1/4"  
2-3/8"

#### NIO-1RNG

Round Reflector  
Non-Adjustable



**BB**  
Black Reflector  
Black Flange



**BZ**  
Bronze Reflector  
Bronze Flange



**HW**  
Haze Reflector  
White Flange



**MPW**  
Matte Powder White Reflector  
Matte Powder White Flange



**NN**  
Natural Metal Reflector  
Natural Metal Flange



**WW**  
White Reflector  
White Flange

### 1" Iolite NTF Round Reflector - Dedicated New Construction Required

Reflector Type	Color Temp.	Finish
NIO-1RNG = Round Reflector	<b>27X</b> = 2700K	<b>BB</b> = Black / Black
	<b>30X</b> = 3000K	<b>BZ</b> = Bronze / Bronze
	<b>35X</b> = 3500K	<b>HW</b> = Haze / White
	<b>40X</b> = 4000K	<b>MPW</b> = Matte Powder White
	<b>50X</b> = 5000K	<b>NN</b> = Natural Metal / Natural Metal
	<b>CDX</b> = Comfort Dim <sup>†</sup>	<b>WW</b> = White / White

<sup>†</sup> Comfort Dim technology uses non-Cree COB modules. 1" & 2" Iolite uses a different dimming curve than 4" Comfort Dim

### Compatible Housings

Housing Type
<b>NH10ICD-16LE3</b> = ICAT New Construction / Triac/ELV / 600lm / 9W
<b>NH10ICD-16LE4</b> = ICAT New Const. / Triac/ELV/0-10V / 600lm / 10W
<b>NH10ICDCP-16LE3</b> = Chicago Plenum / Triac/ELV / 600lm / 9W
<b>NH10ICDCP-16LE4</b> = Chicago Plenum / Triac/ELV/0-10V / 600lm / 10W

Example: **NIO-1RNG27XWW** = 1" Iolite NTF Round Reflector, 2700K, White finish, 600lm

# 1" Iolite Accessories

## 1" Iolite NTF Round Reflector

Type \_\_\_\_\_

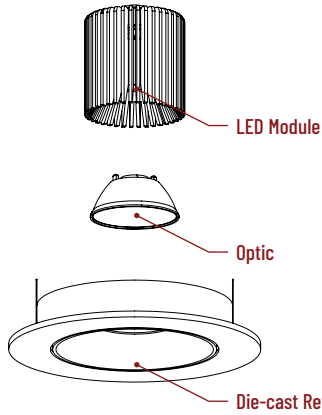
Project \_\_\_\_\_

Catalog No. \_\_\_\_\_

Notes \_\_\_\_\_

### FIELD CHANGEABLE OPTICS

Iolite reflectors include 20°, 40° and 60° optics. Optics can be changed in the field by removing LED module from die-cast reflector. Replacement optics include an optional frosted lens.



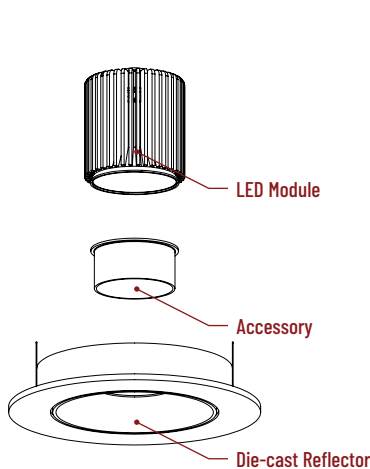
Frosted Filter-Optic

**NIO-1REFL20FR**  
**NIO-1REFL40FR**  
**NIO-1REFL60FR**

20° Optic  
 40° Optic  
 60° Optic

### ACCESSORIES

Iolite accessories can be added at any point in the design process. Accessories easily install between LED module and die-cast reflector. Luminaire will accommodate (1) hex louver and (1) collar accessory, no accessory holder required.



Translucent Decorative Collar

**NIO-1AS15(color)** 5/8" length  
**NIO-1AS19(color)** 3/4" length  
**NIO-1AS24(color)** 1" length  
**Color:**  
**AM** (amber), **BLU** (blue), **FR** (frosted), **R** (red)

Translucent collars color the aperture with the specified color while producing white general light. Collars are available in different lengths. Use to add interest, create a theme, match a theme or define a space.



Opaque Collar Snoot

**NIO-1AS15(color)** 5/8" length  
**NIO-1AS19(color)** 3/4" length  
**NIO-1AS24(color)** 1" length  
**Color:**  
**BLK** (black), **MPW** (matte powder white), **WH** (white)

Opaque snoot greatly reduces aperture brightness while preserving light output. (Note: Black snoot will reduce light)



Hex Cell Louver

**NIO-1HC** Black  
 Hex cell louver subtly reduces aperture brightness by reducing light output by about 20%.

# PHOTOMETRICS

1" Iolite NTF Round Reflector  
600 lumens

Type

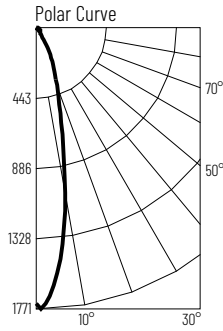
Project

Catalog No.

Notes

## Test Information

Test Number: NTR11253  
Part Number: NIO-1RNG3025WW  
Beam Spread: 23° Spot  
Lumens: 556lm  
Wattage: 9.2W  
Efficacy: 61lpw  
CCT / CRI: 3000K / 90 CRI  
Spacing Criteria (0°-180): 0.4  
Spacing Criteria (90°-270): 0.4



## Illuminance at a Distance

Distance from Luminaire	FC at Nadir	Beam Diameter
4'	109fc	1'-8"
6'	48.3fc	2'-6"
8'	27.2fc	3'-4"
10'	17.4fc	4'-2"
12'	12.1fc	5'

## Zonal Lumen Summary

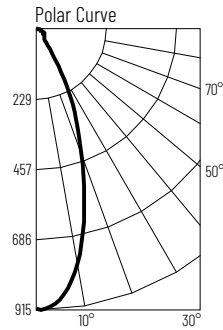
Zone	Lumens	% Luminaire
0-30	418	75.2
0-40	461	82.9
0-60	515	92.7
0-90	554	99.8
90-180	1	0.2
0-180	556	100

## Candela Table

Vertical Angles	Candela
0	1738
5	1499
15	612
25	252
35	58
45	39

## Test Information

Test Number: NTR11252  
Part Number: NIO-1RNG3038WW  
Beam Spread: 38° Narrow Flood  
Lumens: 532lm  
Wattage: 9.2W  
Efficacy: 58lpw  
CCT / CRI: 3000K / 90 CRI  
Spacing Criteria (0°-180): 0.64  
Spacing Criteria (90°-270): 0.64



## Illuminance at a Distance

Distance from Luminaire	FC at Nadir	Beam Diameter
4'	56.9fc	2'-10"
6'	25.3fc	4'-2"
8'	14.2fc	5'-7"
10'	9.1fc	7'
12'	6.3fc	8'-4"

## Zonal Lumen Summary

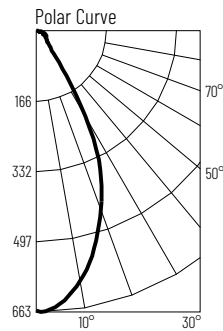
Zone	Lumens	% Luminaire
0-30	378	71
0-40	426	80.1
0-60	485	91.1
0-90	531	99.8
90-180	1	0.2
0-180	532	100

## Candela Table

Vertical Angles	Candela
0	910
5	879
15	606
25	291
35	66
45	38

## Test Information

Test Number: NTR11251  
Part Number: NIO-1RNG3060WW  
Beam Spread: 52° Flood  
Lumens: 539lm  
Wattage: 9.2W  
Efficacy: 58lpw  
CCT / CRI: 3000K / 90 CRI  
Spacing Criteria (0°-180): 0.8  
Spacing Criteria (90°-270): 0.82



## Illuminance at a Distance

Distance from Luminaire	FC at Nadir	Beam Diameter
4'	41.2fc	3'-11"
6'	18.3fc	5'-10"
8'	10.3fc	7'-10"
10'	6.6fc	9'-8"
12'	4.6fc	11'-7"

## Zonal Lumen Summary

Zone	Lumens	% Luminaire
0-30	363	67.3
0-40	436	80.9
0-60	494	91.7
0-90	538	99.8
90-180	1	0.2
0-180	539	100

## Candela Table

Vertical Angles	Candela
0	660
5	645
15	521
25	352
35	108
45	39