

NIO-2RTLND

2" Iolite Round Trimless Downlight with 10° Optic

Source: 12W
850lm

Type

Project

Catalog No.

Notes

PRODUCT DESCRIPTION

2" Trimless Iolite downlights have no exposed trim flange and do not extend beyond the ceiling plane. Iolite Trimless requires a Trimless Mud Ring and New Construction housing. Deep regressed cone reflectors optimize visual cut-off.

FEATURES

- Trimless knife edge appearance
- Delivering up to 8352 center beam candlepower (CBCP)
- 2700K, 3000K, 3500K, 4000K @ 90+ CRI
- 10° TIR optic delivers luminous intensity of higher lumen downlights
- 5-Year limited warranty

SPECIFICATION

Construction: Trims are constructed of heat dissipating, die-cast aluminum. The aluminum die-cast LED heat sink is threaded to fit trimless downlight and transfer heat.

Mounting: Luminaire includes friction blades to mount securely to trimless mud ring. A trimless mud ring is required per trimless downlight.

OPTIC

Each luminaire includes 10° TIR optic (Note: cannot be changed in the field)
Luminaire is also available with field changeable optics, [Click Here](#) for more information.

ELECTRICAL

Lumens / Wattage: 850lm / 12W
Color Temperature: 2700K, 3000K, 3500K, 4000K
Color Rendering Index: 90+ CRI
Operating Temperature: Specified by housing
Lifetime: 50,000 hours @ L70
Dimming: Specified by housing

COMPATIBLE HOUSINGS

Luminaires are compatible with respective Iolite housings manufactured by Nora Lighting.

CATALOG NO.	DESCRIPTION
NHIOICD-28LE4	ICAT New Construction, 120-277V; Triac / ELV / 0-10V
NHIOICD-28LUPEQ	ICAT New Construction, 120/277V; Lutron EcoSystem
NHIOICDCP-28LE4	Chicago Plenum, 120-277V; Triac / ELV / 0-10V
NHIOICDCP-28LUPEQ	Chicago Plenum, 120/277V; Lutron EcoSystem

Accessories: Luminaires can accommodate (1) hex louver and (1) translucent deco collar or opaque snoot, no accessory holder is required, see accessories page. A trimless mud ring is required per luminaire.

LABELS AND LISTINGS

- cULus Listed for Wet Locations
- ENERGY STAR certified
- [5-Year Limited Warranty](#)
- RoHS Compliant
- Certified to the high efficacy requirements of California Title 24 JA8-2019

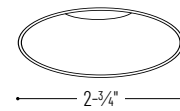


Performance Data

Part Number	Lumens	CCT	CBCP
NIO-2RTLND40QWW	877lm	4000K	8352 cd

Delivered lumens will vary depending on CCT and finish

PRODUCT IMAGES AND DIMENSIONS



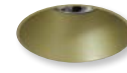
NIO-2RTLND
Non-Adjustable



BB
Black



BZ
Bronze



CH
Champagne Haze



HZ
Haze



MPW
Matte Powder White



WW
White

2" Iolite Round Trimless Downlight with 10° Optic - New Construction Housing & Trimless Mud Ring Required

Type	Color Temperature	Finish
NIO-2RTLND = Round Trimless Downlight	270 = 2700K	BB = Black
	300 = 3000K	BZ = Bronze
	350 = 3500K	CH = Champagne Haze
	400 = 4000K	HZ = Haze
		MPW = Matte Powder White
		WW = White

Compatible Housings

Housing Type

NHIOICD-28LE4 = ICAT New Construction; Triac / ELV / 0-10V
NHIOICD-28LUPEQ = ICAT New Construction; Lutron EcoSystem
NHIOICDCP-28LE4 = Chicago Plenum; Triac / ELV / 0-10V
NHIOICDCP-28LUPEQ = Chicago Plenum; Lutron EcoSystem

2" Iolite Trimless Mud Ring

Description

NIO-TLMR-2RA = 2" Round Trimless Mud Ring

Example: **NIO-2RTLND30QWW / NIO-TLMR-2RA** = 2" Iolite Round Trimless Downlight with 10° Optic, 3000K, White finish / 2" Round Trimless Mud Ring

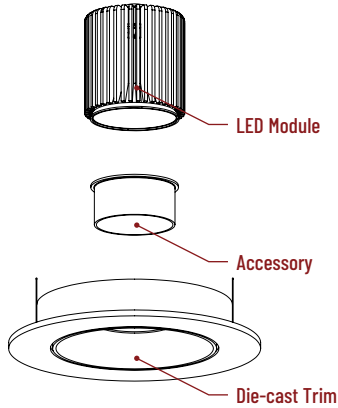
2" Iolite Accessories

2" Iolite Round Trimless Downlight

Type
Project
Catalog No.
Notes

ACCESSORIES

Iolite accessories can be added at any point in the design process. Accessories easily install between LED module and die-cast trim. Luminaire will accommodate (1) hex louver and (1) collar accessory, no accessory holder required.



Translucent Decorative Collar

NIO-AS14(color) 5/8" length
NIO-AS19(color) 3/4" length
NIO-AS26(color) 1" length
Color:
AM (amber), **BLU** (blue), **FR** (frosted), **R** (red)

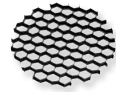
Translucent collars color the aperture with the specified color while producing white general light. Collars are available in different lengths. Use to add interest, create a theme, match a theme or define a space.



Opaque Collar Snoot

NIO-AS14(color) 5/8" length
NIO-AS19(color) 3/4" length
NIO-AS26(color) 1" length
Color:
BLK (black), **MPW** (matte powder white), **WH** (white)

Opaque snoot greatly reduces aperture brightness while preserving light output. (Note: Black snoot will reduce light)

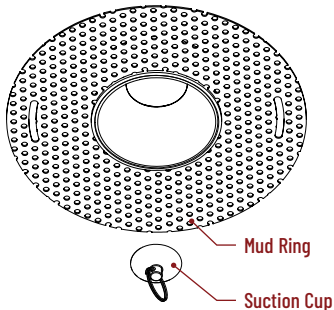


Hex Cell Louver

NIO-HC Black
 Hex cell louver subtly reduces aperture brightness by reducing light output by about 20%.

TRIMLESS

2" Iolite trimless downlights have no exposed trim flange and the result is a minimalist knife edge appearance. A trimless mount mud ring is installed after the drywall and a professional drywall finisher floats the ceiling to blend in the mud ring.



Trimless Mount Mud Ring

NIO-TLMR-2RA
 Mounts trimless downlight with no exposed flange and no extension beyond ceiling plane. Mud ring attaches to drywall. **Only for use with NH10ICD-28 or NH10ICDCP-28 new construction housings and NIO-2RTLND or NIO-2RTLA.**
 Dimensions: 7-7/8" diameter 1/2" thick



Suction Cup for Removal

NIO-TLSUCTION
 Assist removing trimless reflector from finished ceiling after installation. For maintenance on trimless reflector.

PHOTOMETRICS

2" Iolite Round Trimless Downlight with 10° Optic

Type _____

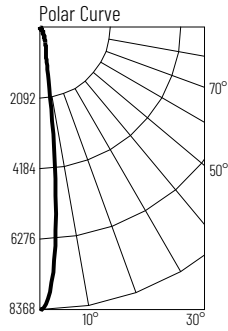
Project _____

Catalog No. _____

Notes _____

Test Information

Test Number: NTR1902R1
 Part Number: NIO-2RTLND40QWW
 Beam Spread: 12° Spot
 Lumens: 877lm
 Wattage: 12.45W
 Efficacy: 70lpw
 CCT / CRI: 4000K / 90 CRI
 Spacing Criteria (0°-180°): 0.22
 Spacing Criteria (90°-270°): 0.22



Illuminance at a Distance

Distance from Luminaire	FC at Nadir	Beam Diameter
16'	32.6fc	3'-5"
18'	25.8fc	3'-10"
20'	20.9fc	4'-4"
22'	17.3fc	4'-8"
24'	14.5fc	5'-2"

Zonal Lumen Summary

Zone	Lumens	% Luminaire
0-30	728	82.9
0-40	816	93
0-60	863	98.3
0-90	877	100
90-180	0	0
0-180	877	100

Candela Table

Vertical Angles	Candela
0	8352
5	5441
15	737
25	332
35	139
45	35

Lumen Output Multipliers

Color Temperature: 2700K (0.9), 3000K (0.96), 3500K (0.96), 4000K (1.00)