

NTEC-8803

Dipper with Monopoint Canopy

Source: 15W or 30W LED
1000lm or 2300lm

Type _____

Project _____

Catalog No. _____

Notes _____

PRODUCT DESCRIPTION

The Dipper provides an even wash off light using energy efficient LEDs. The indirect reflective design eliminates diode image for excellent visual comfort.

FEATURES

- Can be used as an indirect luminaire or wall wash
- Available in two lengths (8" or 12")
- 3000K, 3500K or 4000K @ 90 CRI
- Available in black, silver and white finishes
- Round canopy included
- 5-year limited warranty

SPECIFICATION

Construction: Die-cast aluminum body with indirect linear LED strip reflecting off a polished aluminum reflector providing excellent asymmetric wall washing.

Mounting: Luminaire is permanently mounted to a round canopy with no adjustability. Can be wall or ceiling mounted for indirect or wall wash grazing.

ELECTRICAL

Input Voltage: 120-277V

Lumens / Wattage: 1000lm / 15W or 2300lm / 30W

Color Temperature: 3000K, 3500K or 4000K

CRI: 90+

Dimming: 120V Triac or ELV

Check complete dimmer list at www.NoraLighting.com in the "Compatibility" page under "Resources" tab

Finishes: Black, white and silver finishes are available; contact warehouse for custom finishes.

LISTING

- cULus Listed for damp locations
- ENERGY STAR certified
- 5-Year Limited Warranty



PRODUCT IMAGE

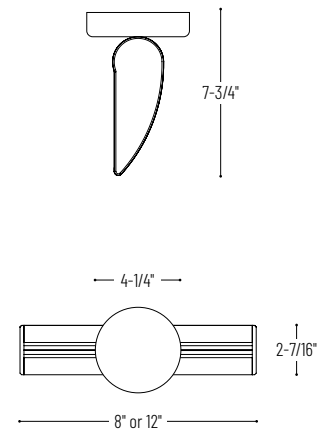


NTEC-880315
8" Dipper with Monopoint Canopy



NTEC-880330
12" Dipper with Monopoint Canopy

PRODUCT DIMENSIONS



Dipper with Monopoint Canopy

Series	Length / Lumens / Wattage	Color Temperature	Finish
NTEC-8803	15 = 8" / 1000lm / 15W	30 = 3000K	B = Black
	30 = 12" / 2300lm / 30W	35 = 3500K (3500K in Silver is special order)	S = Silver
		40 = 4000K	W = White

Example: **NTEC-88033030B** = 12" Dipper with Monopoint Canopy, 2300lm / 30W, 3000K, Black finish

PHOTOMETRICS

Dipper with Monopoint Canopy

Type

Project

Catalog No.

Notes

Test Information

Test Number: 12460074.01
 Part Number: NTEC-88031530
 Lumens: 941lm
 Wattage: 14.4W
 Efficacy: 65lpw
 CCT / CRI: 3000K / 90 CRI
 Spacing Criteria (0°-180°): 2.82
 Spacing Criteria (90°-270°): 1.1

Multiple unit data (footcandles)

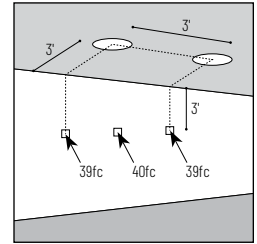
Distance from ceiling (ft.)	2' from wall 2' on center		
1'	20	18	20
2'	87	90	87
3'	56	60	56
4'	32	34	32
5'	19	20	19
6'	11	12	11
7'	7	7	7
8'	5	5	5
9'	3	3	3
10'	2	2	2

Multiple unit data (footcandles)

Distance from ceiling (ft.)	2' from wall 3' on center		
1'	18	13	18
2'	74	68	74
3'	47	49	47
4'	27	29	27
5'	16	18	16
6'	10	11	10
7'	6	7	6
8'	4	4	4
9'	3	3	3
10'	2	2	2

Multiple unit data (footcandles)

Distance from ceiling (ft.)	3' from wall 3' on center		
1'	0	1	0
2'	33	31	33
3'	39	40	39
4'	30	31	30
5'	21	22	21
6'	14	15	14
7'	10	10	10
8'	7	7	7
9'	5	5	5
10'	4	4	4



Example: Two luminaires located 3' from wall and spaced 3' on center, the illumination on the wall 3' down from ceiling will be 39fc beneath and 40fc between luminaires.

Test Information

Test Number: 12460074.02
 Part Number: NTEC-88033030
 Lumens: 1942lm
 Wattage: 27.9W
 Efficacy: 70lpw
 CCT / CRI: 3000K / 90 CRI
 Spacing Criteria (0°-180°): 2.92
 Spacing Criteria (90°-270°): 1.2

Multiple unit data (footcandles)

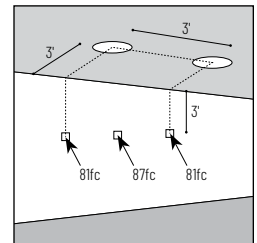
Distance from ceiling (ft.)	2' from wall 2' on center		
1'	49	53	49
2'	183	196	183
3'	120	130	120
4'	65	70	65
5'	35	37	35
6'	19	20	19
7'	12	12	12
8'	7	8	7
9'	5	5	5
10'	3	3	3

Multiple unit data (footcandles)

Distance from ceiling (ft.)	2' from wall 3' on center		
1'	44	40	44
2'	154	144	154
3'	100	104	100
4'	55	60	55
5'	30	33	30
6'	17	19	17
7'	11	11	11
8'	7	7	7
9'	5	5	5
10'	3	2	3

Multiple unit data (footcandles)

Distance from ceiling (ft.)	3' from wall 3' on center		
1'	1	2	1
2'	73	74	73
3'	81	87	81
4'	63	68	63
5'	44	48	44
6'	29	31	29
7'	19	20	19
8'	13	13	13
9'	9	9	9
10'	6	6	6



Example: Two luminaires located 3' from wall and spaced 3' on center, the illumination on the wall 3' down from ceiling will be 81fc beneath and 87fc between luminaires.