

Type _____
 Project _____
 Catalog No. _____
 Lamp/Wattage _____

NTH-150 (Line Voltage Track)

BR/PAR Shroud

Lamp : 250W BR40/PAR38

PRODUCT DESCRIPTION

Line voltage BR/PAR Shroud fixture. Yoke provides full adjustment of light source for special aiming and dual tightening knob assure lock on angle position.

FEATURES

- Deep drawn steel socket cup housing for high strength and rigidity
- Heat resistant Teflon coated wire lead
- Low profile gimbal ring with minimal profile
- Adjustable yoke for custom aiming
- High-strength stainless steel electrical contacts
- One or two circuit track capable

CONSTRUCTION

Housing

0.035" Deep drawn steel construction with simple, cylindrical design. All edges are softened for aesthetic appearance.

Yoke

0.085" Rigid steel "wishbone" yoke connects fixture housing to electrical contact head. Dual plastic angle tightening knobs maintain clean, decorative appearance of the fixture and provide secure angle position.

ELECTRICAL SYSTEM

Socket

Porcelain jacketed aluminum screw thread medium-base socket.

Wiring

Teflon coated wire lead connects socket and housing to electrical contact head. Teflon coating is durable and resists heat degradation from lamp and housing radiation.

Lamp

250W BR40/PAR38 Maximum (not included)

One/Two Circuit Conversion

Positive contact (opposite neutral and ground contacts) is preset to "down" position at factory but may be raised to the higher position to install onto the second circuit of Nora Lighting NT- 2300 series two-circuit track.

FINISHES

Black, Silver, or White heat rated baked enamel paint. Custom painting or anodizing for special applications are also available. Custom finishes will require lead times that vary depending on vendor schedule. Please consult factor for quotation, and provide either a Dunn Edwards number or color chip for exact matching.

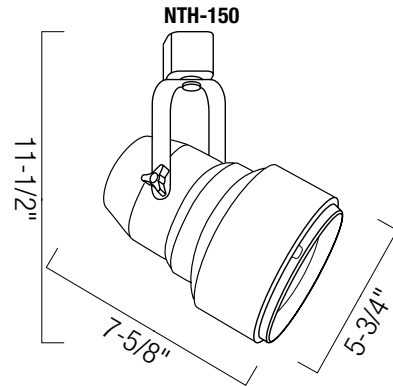
ACCESSORIES

- NT-340 BR40/PAR38 Black Barn Door
- NT-343 BR40/PAR38 Black Louver (requires NT-340 or NT-346)
- NT-346 BR40/PAR38 Black Accessory Holder

LABELS AND LISTINGS

UL Listed.

DIMENSIONS



Diameter : 5-3/4"
 Length : 7-5/8"
 Max. Extension: 11-1/2"



BR/PAR Shroud

Catalog No.	Min. - Max Wattage	Finishes	Style
NTH-150	250W	B = Black	Blank = H-Style
		S = Silver	/J = J-Style
		W = White	/L = L-Style

Create a complete track head number: Example: NTH-150B