

Type
Project
Catalog No.
Lamp/Wattage

**NTLE-8265** (Versa Series)  
**MR16 Double Headed Track Fixture.**  
 Lamp : 3W-50W MR16 (Not Included)

**PRODUCT DESCRIPTION**

Low voltage die cast aluminum designer cube fixtures with integral transformer/driver. Compatible with several LED MR16 lamps as well as halogen MR16 lamps.

**FEATURES**

- Compatible with several LED MR16 lamps or halogen MR16 lamps (not included)
- Die cast aluminum provides superior strength and rigidity.
- Low profile, aesthetic design.
- High-strength stainless steel electrical contacts.
- One or two circuit track capable.

**CONSTRUCTION**

Track Head

Die cast aluminum construction. All edges are softened for aesthetic appearance

Contact Head Assembly

"H" Style (standard): Three 0.030 stainless steel contacts mounted in premium plastic housing.

"J" Style: Two contacts and ground contact mounted in premium plastic housing with on/off switch.

"L" Style: Two contacts and ground contact mounted in premium plastic housing.

**ELECTRICAL SYSTEM**

Input voltage - 120V/60Hz Input

Output voltage - 60VA Max. Load

Transformer - Solid state LED Driver provides noise-free voltage reduction and operation. If dimming, use electronic low voltage rated only dimming controls.

Wiring - Teflon coated wire lead connects socket and housing to electrical contact head. Teflon coating is durable and resists heat degradation from lamp and housing radiation.

Socket - Porcelain socket for GU5.3 12V MR16 lamp.

Lamp

- Two 3W-20W 12V MR16 LED lamp
- Two 20W 12V MR16 Halogen ww/ Lens Lamp (Total 50W max) (Ordered Separately)

One/Two Circuit Conversion - Positive contact (opposite neutral and ground contacts) is preset to "down" position at factory but may be raised to the higher position to install onto the second circuit of Nora Lighting NT- 2300 series two-circuit track.

**FINISHES**

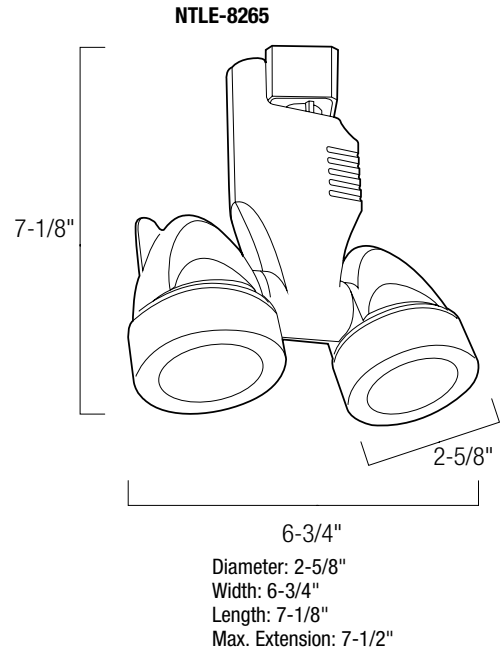
Black or White heat rated baked enamel paint.

**LABELS AND LISTINGS**

UL Listed.



**DIMENSIONS**



**Versa Dual-Headed Track fixture with Dimmable Integral Electronic Driver/Transformer**

Catalog No.	Finishes	Style
<b>NTLE-8265</b>	<b>B</b> = Black	<b>Blank</b> = H-Style
	<b>W</b> = White	/J = J-Style
		/L = L-Style

Create a complete track head number: **Example: NTLE-8265B** Versa Dual-Headed Track fixture with Dimmable Integral Electronic Driver in black finish.