

NYLM-3

3" iLENE LED Mini Cylinders

Source: 30W LED
1500lm

Type
Project
Catalog No.
Notes

PRODUCT DESCRIPTION

iLENE Series of dedicated LED Mini Cylinders are available in three sizes and outputs, with pendant or surface mount options. Using Cree® COB technology, the iLENE produces 90+ CRI with excellent cut-off for visual comfort. Each cylinder includes three field-changeable optics for spot, narrow flood and flood (installed) beam spreads.

FEATURES

- 1500lm / 30W LED
- Cree® LED COB or Comfort Dim Technology technology
- Surface or pendant mounted
- 2700K, 3000K, 3500K, 4000K or Comfort Dim @ 90+ CRI
- Flood (installed), narrow flood and spot optics included
- Triac, ELV or 0-10V dimming
- Black, silver or white cylinder finish
- ENERGY STAR® certified
- 5-year limited warranty

SPECIFICATION

Construction: Extruded aluminum cylinder with aluminum vented top. Driver is mounted in the canopy to dissipate heat away from the LED module and extend life expectancy.

Reflector: Deep set reflector for minimal aperture brightness. Reflector finish matches cylinder finish.

Optic: Each iLENE cylinder includes three field-changeable optics for spot, narrow flood and flood (installed) beam spreads.

Installation: Canopy mounts on a junction box. Cable pendant includes 8' field adjustable coax cable. (Driver located in canopy)

ELECTRICAL

Voltage: 120V/277V

Lumens / Wattage: 1500lm / 30W (1300lm with Comfort Dim)

Color Temperature: 2700K, 3000K, 3500K or 4000K

Comfort Dim: Comfort Dim color tunes the temperature from a bright 3100K, to a romantic and comfortable 2000K on a gradual, even curve. Comfort Dim provides up to 725lm.

CRI: 90+CRI

Dimming: Triac, ELV or 0-10V

[Click Here](#) or check complete dimmer list at www.NoraLighting.com in the "Compatibility" page under "Resources" tab

ACCESSORIES

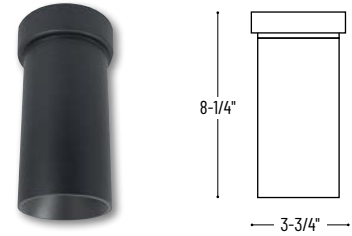
3" iLENE cylinders accept decorative translucent collars or opaque snoots. Translucent collars color the aperture with the specified color while producing white general light. Opaque snoots greatly reduce aperture brightness while preserving light output. (Note: black snoot will reduce light).

LABELS AND LISTINGS

- cULus Listed for Damp Locations
- ENERGY STAR® Certified
- 5-Year Limited Warranty

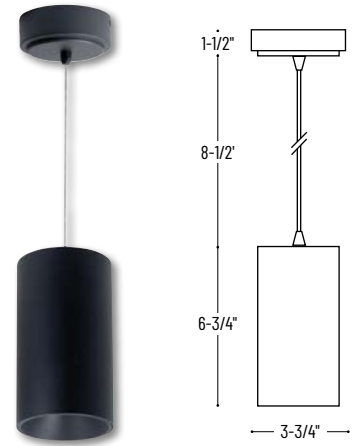


PRODUCT IMAGES AND DIMENSIONS



NYLM-3SC

3" iLENE LED Mini Cylinder, Surface Mounted



NYLM-3C

3" iLENE LED Mini Cylinder, Cable Pendant Mounted

3" iLENE LED Mini Cylinder

Series	Mounting Option	CCT	Finish	Input Voltage / Dimming
NYLM-3 = 3" iLENE	C = Cable Pendant SC = Surface	27X = 2700K	BB = Black	LE4 = 120V input; Triac/ELV or 0-10V dimming 277V input; 0-10V dimming
		30X = 3000K	SS = Silver	
	35X = 3500K	WW = White		
	40X = 4000K			
	CDX = Comfort Dim (3100K to 2000K)			

Accessories

Description
NIO-AS14AM = Amber Translucent Decorative Collar
NIO-AS14BLU = Blue Translucent Decorative Collar
NIO-AS14FR = Frosted Translucent Decorative Collar
NIO-AS14R = Red Translucent Decorative Collar
NIO-AS14BLK = Black Opaque Snoot
NIO-AS14MPW = Matte Powder White Opaque Snoot
NIO-AS14WH = White Opaque Snoot

Example: **NYLM-3C30XBBLE4** = 3" iLENE LED Mini Cylinder, Pendant Mounted, 3000K, Black finish, 120V/277V input; Triac, ELV or 0-10V dimming