



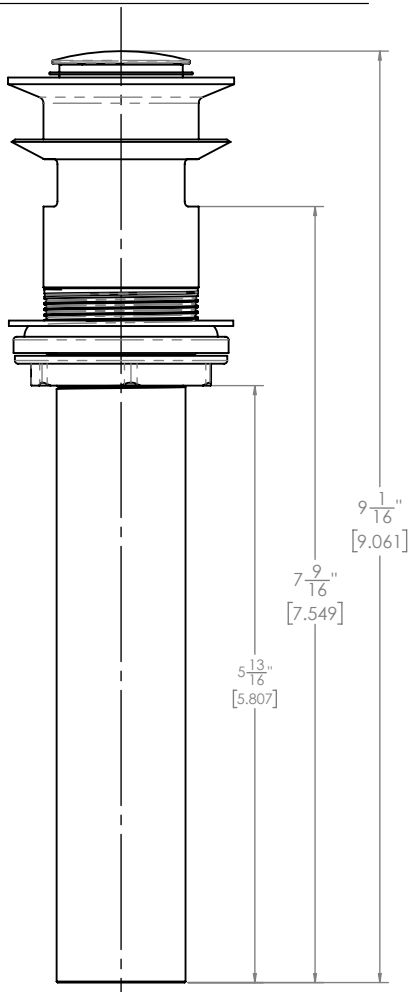
TECHNICAL DETAILS

Access Hole: 2" x 7"

Primary Material: Brass

PRODUCT FEATURES

-



CODES & STANDARDS

ASME A112.181/ CSA B1251, ASME 112.18.2/ CSA B125.2, ANSI NSF, CEC, Watersense 61 Sect. 9, State of MA.



WARRANTY

Mechanical Warranty: 10 Years from date of purchase.

Finish Warranty: See catalog for further information.

