

Features

- Rounded oak doors with curved metal edge detail
- Stainless steel sleigh legs
- Solid stainless steel door pulls
- Internal storage shelf
- Internal storage drawer with integrated handle
- Removable glass drawer dividers included

Materials & Construction

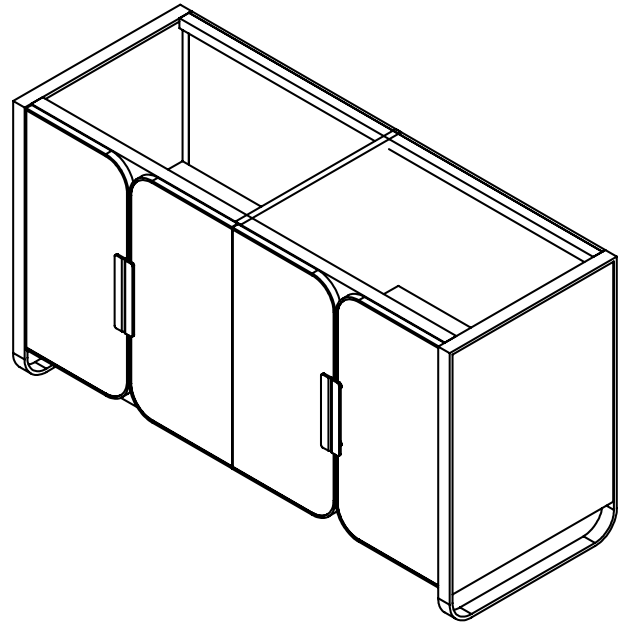
- Solid wood and veneer construction
- Stainless steel sleigh legs
- Full plywood back panel, no cutout
- Dovetailed drawers with solid oak front
- Blum undermount full extension slow close slides
- Blum slow close door hinges
- Durable, moisture resistant polyurethane finish
- Adjustable leveling feet

Options

- Available in:
 - CVBE6021587, Matte Black Oak paired with Aged Brass
 - CVBE6020169, Natural Grey paired with Brushed Pewter
- Engineered stone tops available:
 - TA60UCO93-8CS4
 - TA60UCO95-8CS4
 - TA60UCO96-8CS4
 - TA60UCO97-8CS4
 - TA60UCO98-8CS4
 - TA60UCO99-8CS4
 - TA60UCO100-8CS4
 - TA60UCO101-8CS4
- Coordinating mirrors available

Dimensions

Width: 59-7/8"
 Height: 32-7/8"
 Depth: 22-7/8"



Model Number Key

PRODUCT LINE	CATEGORY	COLLECTION	WIDTH	FINISH OPTIONS	OPTIONS
C = Craft Series	V = Vanity	BE = Bergman	60"	(See above)	(See above)

Bergman 60" Vanity CVBE60

