



ALLIA FIRECLAY SINGLE BOWL BAR/FOOD PREP SINK

ROHL Kitchen Sink

5927

FEATURES

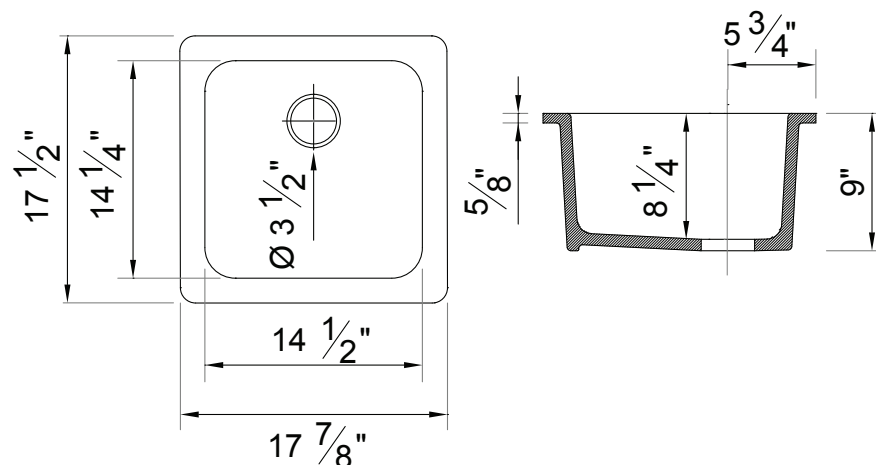
- Can be installed as an undermount or drop-in
- Sink measures 17 1/2" x 17 7/8" x 9"H
- 8 1/4" deep single bowl
- Offset drain placement
- Standard 3 1/2" diameter US drain opening
- Acid/alkali/abrasion resistant
- Stain and thermal shock resistant
- QN25UM Undermount Kit available, see below
- Weight 45 lbs.
- Includes "ALLIA PARIS" badge
- No overflow
- Due to ± 1 % dimensions, it is recommended that the cabinet maker wait until your sink is delivered to make the cabinet
- 21" minimum cabinet size
- No template available

COLORS/FINISHES

- White (00)
- Pergame (68) (Biscuit)
- Matte Black (63)

WARRANTY

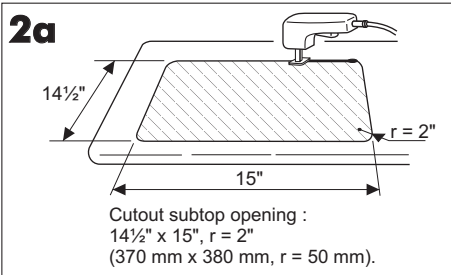
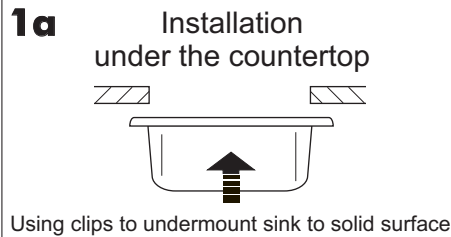
- 1-year Limited Warranty
- 10-year Limited Warranty on fading/staining



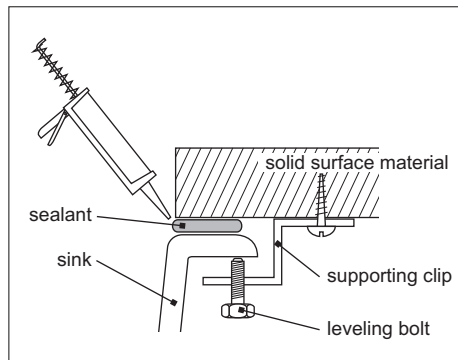
INSTALLATION INSTRUCTIONS

BAR SINK 5927 INSTALLATION GUIDE

N° 154285 00

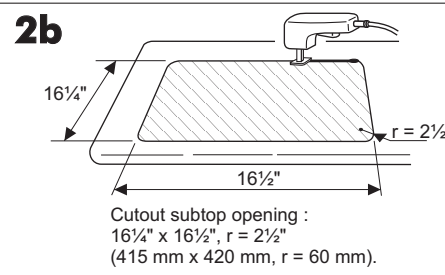
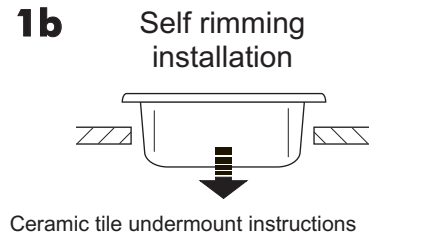


- 1 While holding the sink in place (this will require assistance), place support clip at center of each side and mount to underside of solid surface.
- 2 Raise leveling bolts until sink is pressed evenly against underside of solid surface. Apply sealant.

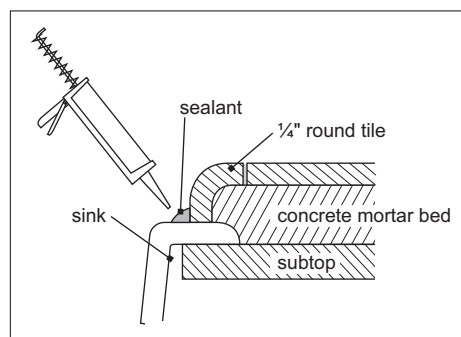
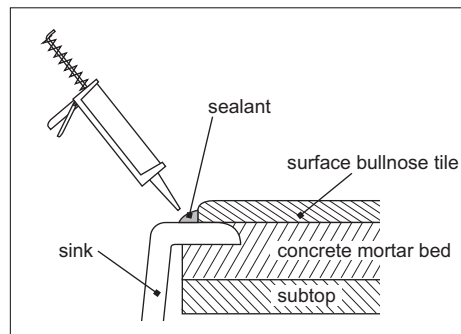


NOTE TO THE INSTALLER :

Ceramic sinks can generate a variation of rim thickness. Please check, adjust and level before sealing.



- 1 Inset sink into mortar bed allow for surface bullnose or ¼" round trim installation.
- 2 Install sealant.



Doc. Tec. 10/88

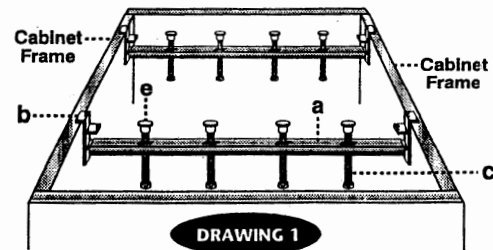
INSTALLATION INSTRUCTIONS

SINK UNDERMOUNTER™

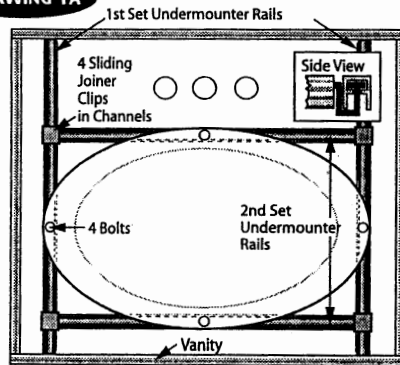
1 Identify parts.

This pack includes:

- a) 25", 36", or 50" rail (2 each)
 - b) Mounting clips (4 each)
 - c) 2" adjusting bolts (8 each)
 - d) Nuts (8 each)
 - e) Plastic bolt caps (8 each)
 - f) Wood screws (8 each)
 - g) Joiner clips (2 each)
- For ovals and rounds, 2 sets required.
(See Drawing 1A) Discard if not using.



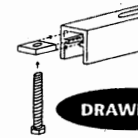
DRAWING 1A



Two Undermounter packages are needed for ovals and rounds.

- 2** If needed, cut (with hacksaw) the Undermounter rails $3/8"$ less than the length of the inside of the cabinet. (For round and oval installations: cut 2nd set of rails the necessary distance between the 1st set.)

- 3** Screw adjusting bolts into nuts 2 turns and then slide nuts into rail. Slide into position in desired openings of rail. See Drawing 2.



DRAWING 2

- 4** Determine exact location where Undermounter is to be installed in cabinet. Make sure Undermounter adjustment bolts come into contact with the underside of the sink ledge. Determine exact location where mounting clips will be installed. Mark on cabinet frame where holes in clip are located. Drill starter holes where marked.

*Note: Depending upon fabrication of countertop, top of mounting clip may need to be notched into top of cabinet frame.

- 5** Screw mounting clips to sides of cabinet frame.
- 6** Lower rail onto mounting clip arms. Use either arm depending upon the thickness of the sink ledge.
*Note: If rail is to be installed on lower arms, it may be necessary to cut off the top arm to avoid interference with the sink.
- 7** Slip bolt caps onto end of bolts.
- 8** Carefully lower the sink onto the Undermounter.
- 9** Use adjustment bolts to raise and level the sink flush with the underside of the countertop.
*Note: Caulk should be used where sink comes into contact with underside of the countertop.

DRAWING 3

