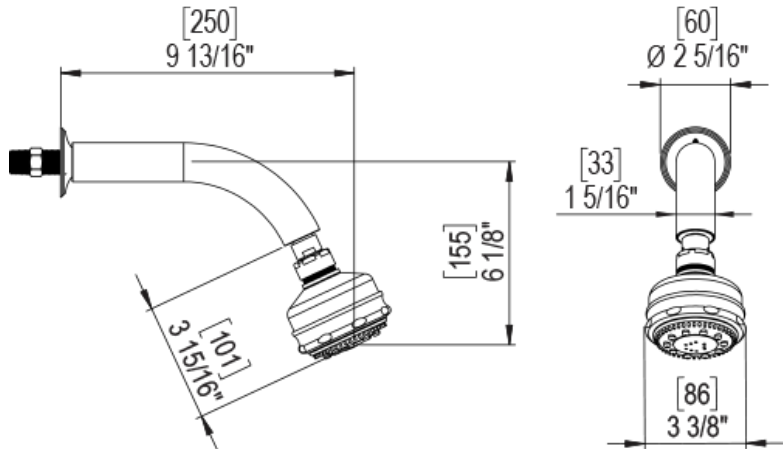
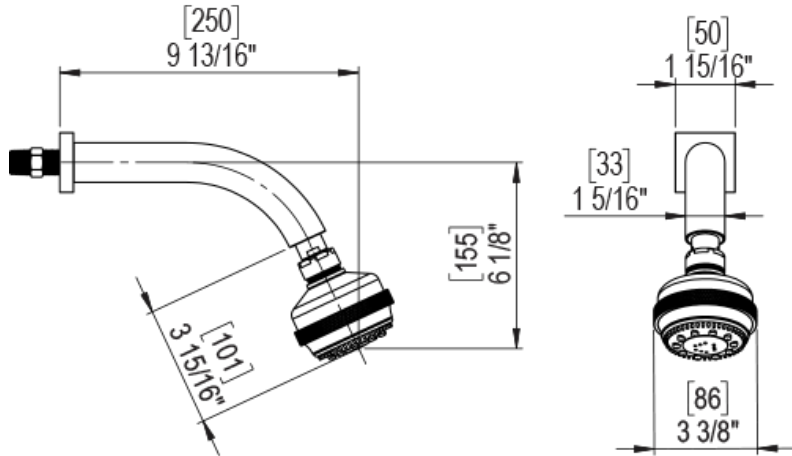


FEATURES:

- Brass construction with choice of 22 finishes
- 3 function shower head
- 2.2 gpm



CONTACT US:

If you need assistance with installation, replacement parts or have any questions regarding your Rubinet product, please call a Customer Service representative at: 905-851-6781 toll free 1-800-461-5901 or visit www.rubinet.com

180522

THE **Rubinet** FAUCET COMPANY

ASSEMBLY INSTRUCTION

4F030 / 4F031 / 4F032 / 4F033

3 FUNCTION SHOWER HEAD WITH 8" SHOWER ARM & FLANGE



4F030

4F031



4F032

4F033

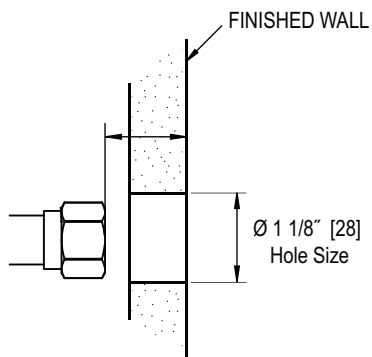
REMOVAL OF FIXTURE:

Always turn the water supply off before removing the existing fixture or disassembling a valve. Open all handles to relieve water pressure and to ensure that the water has been successfully turned off.

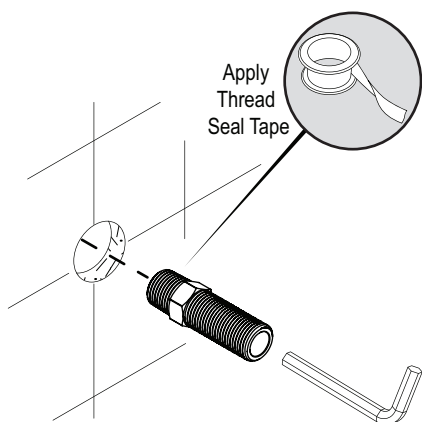
CARE OF FIXTURE:

The use of warm water and a soft cloth is all that is required to clean Rubinet products. The patina of our living finishes (Oil Rubbed Bronze & Tuscan Brass) will change as a result of normal use. Applying Mineral Oil on occasion will create a softer look, subtle color changes and character.

3 FUNCTION SHOWER HEAD WITH 8" SHOWER ARM & FLANGE

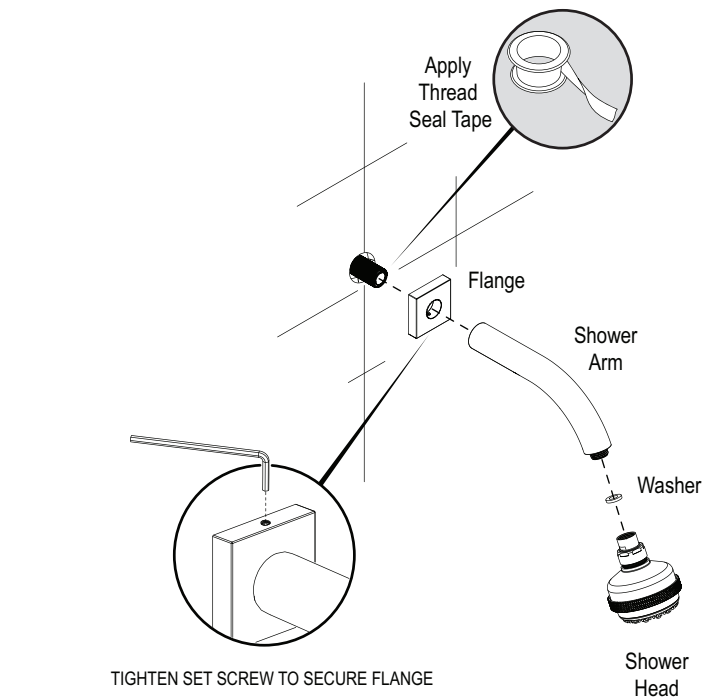
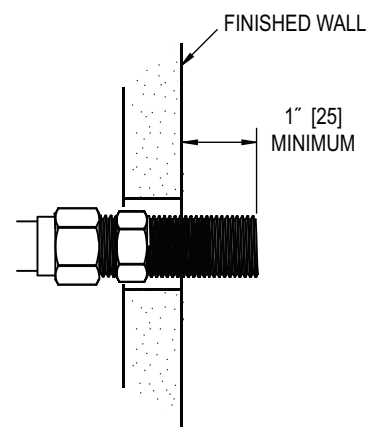


Female Adaptor
3/4" [19]
MINIMUM
from the finished wall



*Recommend using 11mm Hex Key
to prevent thread damage.
(Not supplied)

3 FUNCTION SHOWER HEAD WITH 8" SHOWER ARM & FLANGE



TIGHTEN SET SCREW TO SECURE FLANGE