

# KINDJAL

BPD13221



Project: \_\_\_\_\_  
 Location: \_\_\_\_\_  
 Fixture Type: \_\_\_\_\_  
 Catalog Number: \_\_\_\_\_

### AVAILABLE FINISHES



AB: Aged Brass



BK: Black

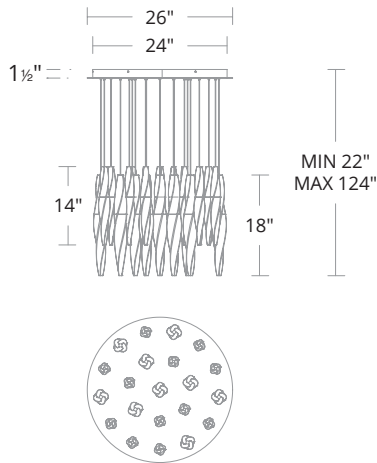


PN: Polished Nickel

### DESCRIPTION

A subtle twist of luxe. Slender optic crystal icicles suspend at different heights from a sleek round canopy overhead. From behind each crystal that twists down to a point, top quality LEDs illuminate a myriad of spaces below. Aged brass, black and polished nickel finishes available.

### LINE DRAWING



### FEATURES

- Built-in color temperature adjustability switch from 3000K/3500K/4000K at time of installation
- Thin powered aircraft cables provide an ultra clean look for adjustable suspension height
- Canopy conceals a proprietary universal 120V-220V-277V driver
- Can be mounted on a sloped ceiling

### SPECIFICATIONS

CRI	90
Dimming	ELV, 0-10V, TRIAC
Standards	ETL/cETL, Damp

### REPLACEMENT PARTS

- RPL-GLA-13218-02 - Crystal
- RPL-GLA-13214 - Crystal

Model	Size	LED Color Temp	Finish	Voltage	Wattage	Weight	LED Lumens	Delivered Lumens
BPD13221	21 Lights	3000K/3500K/4000K	<b>AB</b> Aged Brass <b>BK</b> Black <b>PN</b> Polished Nickel	120-277V	166W	74 lb	12600	8400

Example: BPD13221-AB